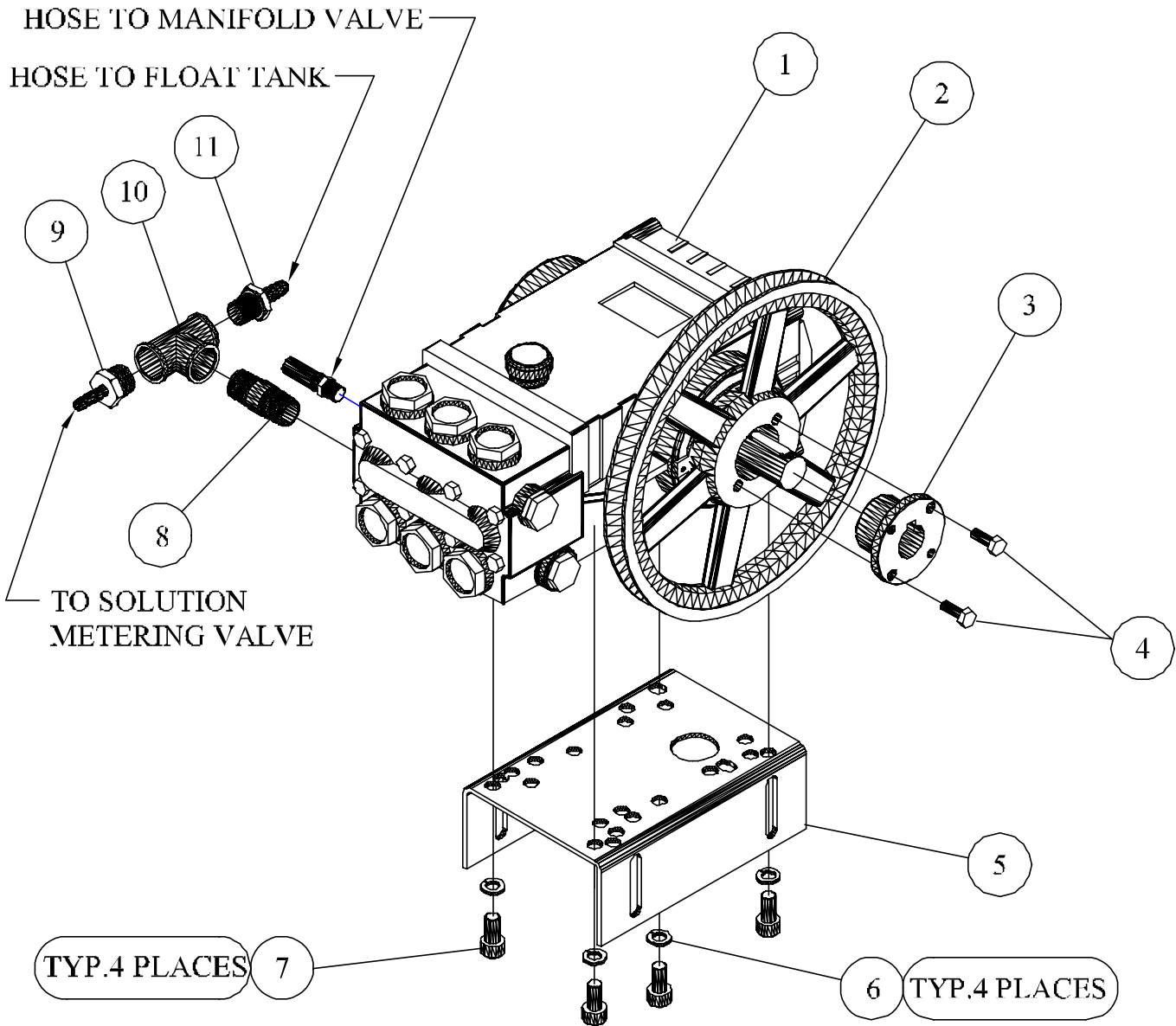


Jenny Products Inc.  
 SJ 70 OEP, 115V/60/1PH, N/C, JB

<b>SJ 70, OEP, N/C, JB 115V/60/1PH</b>			
<b>PARTS LIST</b>			
Notes: Figure 20- (common Parts)			
Electrical Dia. Files Jw 103			
<b>ITEM NO.</b>	<b>DESCRIPTION</b>	<b>QTY.</b>	<b>PART NO.</b>
1	CHASSIS, CHANNEL, MAIN, ST, PAINTED, OIL FIRED	1	JD8000
2ASSY SEE FIG 1-10	BLOWER, AIR, ASSY, 6" OD X 4" W X 1/2" SHAFT	1	JB2000
3ASSY SEE FIG 1-2	BURNER, GUN, OIL, DOUBLE, ELECTRODE	1	JB1000
4ASSY SEE FIG 1-4	TANK,FLOAT,ASSY,W/FITTINGS,SJ 70,OEP	1	JD8245-B
5	TANK, FUEL, BOLT-ON, STEEL, PLATED, 6 GALLON	1	JD8003
6	CASING, COIL, BOLT-ON, STEEL, PLATED, SMALL	1	JD8001
7	GROMMET, RUBBER BLACK, 1-1/2 I.D.	2	JP 675
8	DISC, INSULATION, CERAMIC, 14-3/8 OD X 4-1/8 X 3/8	1	JD7238-A
9	COIL, OIL, FIRED, 3/8" PIPE, SCH40	1	JP6379
10	ELBOW, STEEL, PLATED, 3/8NPT	1	JD 691
11	CORD, SET, FUEL, PUMP	1	JD3306-E
12	TEE,FEMALE,STEEL,PLATED,3/8NPT	1	JD3971
13	PLUG, FUSIBLE, ASSY, 340 DEGREE F	1	JP3921-C
14	HOSE, FUEL, ASSY, 1/4" X 42" L, HPW	2	JD8246
15	TUBING, PVC, REINFORCED, 3/8"ID	1	JD7575
16ASSY SEE FIG 1-1	PUMP,MOUNTING&FITTINGS,ASSY,70GPH	1	JD8306
17	PANEL, COVER, REAR, STEEL, PAINTED, NS	1	JD8006
18	WIRE,SJO,CPE,BLACK,14/3	2.5	JE 433
19	CONNECTOR, RELIEF, STRAINER, 1/4-3/8, 1/2NPT	1	JD1687-06
20	BELT, VEE, COG, AX21	1	JD7834
21	PULLEY, CRS, SG, 2.2" OD X 1/2" I.D.	1	JD7835
22	BELT,VEE,COG,AX45	1	JD3950-03
23	BUSHING, PULLEY, TAPERED, 5/8 BORE	1	JD3915-01
24	STRAINER, CHEMICAL, BRASS, 1/4" HOSE BARB	1	JD7140-A
25	PULLEY, CI, DG, TH, 2BK47H, 3.7 PDA, 4.1PDB	1	JD3904-05
26ASSY SEE FIG 1-3	MANIFOLD,FITTINGS,VALVE,ASSY,SJ70+,OEP	1	JD8220-A
27	INSULATION, CERAMIC, 1.5X21X43, 8#- DENSITY	1	JP3947-B
28	MOLDING, RUBBER, FOAM, ADHESIVE, 1/2WX1/8T	3.5'	JD3782-B
29ASSY SEE FIG 1-5	BOX, JUNCTION, PANEL, FRONT, 110-220/1PH, 30A	1	JE2000
30ASSY SEE FIG 1-6	PLATE, COVER, PANEL, CONTROL, BOX, JNCT, HPW	1	JD8009
31	MOTOR, 1HP, 115-230/60/1725RPM, TEFC, F2, C-F	1	JB3003
32	CASTER, SWIVEL, W/BRAKE, 5" DIA X 2" FACE	1	JD3217-01
33	CASTER, SWIVEL, WOUT/BRAKE, 5" DIA X 2" FACE	1	JD3217-02
34	AXLE, CHASSIS, STEEL, PLATED, 3/4" OD X 24" O/L	1	JD8010
35	WHEEL, PNEUMATIC, 10" O.D. X 3/4 I.D., BALL BEARING	2	JP2643-F
36	COLLAR, SCREW, SET, STEEL, PLATED, 3/4" I.D.	2	JD7777
37-A	CORD, DROP, GFCI, 120V, 15AMP, 40FT	1	JD7179-A
37-B	CORD,DROP,GFCI,240V,15A,40FT	1	JD7179-D
38	WIRE, IGNITION, BURNER, ASSY, 50000V	2	JD8247
39	HOSE,HYD,3K PSI,23"L,3/8NPTM,90D-3/8NPTM	1	JD7542
40	HOSE, HYD. 3K, PSI, 36"L, 3/8NPTM, 3/8NPTF	1	JD7818-A
41	TUBING, PVC, CLEAR, 3/8, O.D.X1/4ID	5.5'	JD3087
42	RING, FLAT, CASING, COIL, SS	1	JP 574-A
43	RING, CASING, COIL, SS, 5-15/16 ID	1	JP4813-A
44	COVER, SS, ASSY, OEP, NEW, JB, MACH	1	JD8248
45	RECEPTICAL, CLIP-ON, STEEL, DACROTIZED	6	JP7733-01
46	DECAL, NUMBER, MODEL, SJ 70,BLUE,LARGE	1	JD8480
47	SCREW, SLF, TAP, PHILLIP, ST, PL, 8-32 X 3/8	10	JD3043
48	SCREW, SLF, DRL, HEX, WASHER, PLTD, #10 X 5/8	7	JD7074-A
49	SCREW, FLANGE, HEX, SERR, ST, PL, 1/4-20 X 1/2	12	JD7904-A
50	SCREW, FLANGE, HEX, SERR, ST, PL, 5/16-18 X 1/2	10	JD7905
51	SCREW, FLANGE, HEX, SERR, ST, PL, 5/16-18 X 3/4	4	JD7905-B
52	SCREW, FLANGE, HEX, SERR, ST, PL, 3/8-16 X 3/4	4	JD7906-A
53	SCREW, CAP, HEX, HD, ST, PL, FLT, 3/8-16 X 2-1/4"	2	JD7035
54	SCREW, CARRIAGE, GR5, ST, PL, 3/8X6	2	JD7798

55	SCREW, SLF, TAP, HEX, WASHER, PLATED, 10-32X 1/2	1	JD6219
56	NUT, LOCK, FLANGE, HEX, SERR, STEEL, PLATED, 5/16-18	4	JD7774-E
57	NUT, LOCK, FLANGE, HEX, SERR, ST, PL, 3/8-16	6	JD7774-F
58	CLIP, SEPARATOR, WIRE, IGNITION, 7MM, 2-WIRE	4	JD7831
59	CLIP, SEPARATOR, WIRE, IGNITION, 7MM, 3-WIRE	2	JD7832
60	PLUG, BUTTON, STEEL, PLATED, 7/8"	1	JD1191
61	FILTER, OIL, FUEL, W/HEAD, 3/8NPT	1	JD2117
	REPLACEMENT, FILTER, OIL, FUEL, CARTRIDGE, SPIN-ON	1	JD2117-01
62	CONNECTOR, MALE, BRASS, 1/4-45 SAE X 3/8 NPT	1	JD1277
63	CONNECTOR, MALE, BRASS, 1/4-45 SAE X 1/4 NPT	1	JD 659
64	CLAMP, SLEEVE, PLASTIC, 3/8 ID	4	JD2759
65ASSY SEE FIG 1-7	GUN, SCH 80, N/C, W/O, SWIVEL, ASSY, 3/8'	1	JP4261-H
66	HOSE, COMBINATION, JENNY, 3/8X50'	1	JD7624
67	DECAL, NAMEPLATE, OIL, FIRED	1	JD6251-05
68	DECAL, CLEAR, MYLAR	1	JD6251-08
69	CLAMP, HOSE, NYLON, BLACK, .593/.656 DIA	2	JD7859-D
70	CAP, FILLER, FUEL, 1/4 TURN	1	JD3174
71	PLUG, TRISURE, STEEL, PLATED, 3/4" NPTM	1	JD1339
72	TUBING, COPPER, ASSY, BURNER, F. PUMP-SOL, JB	1	JD1722-U
73	SCREW, PHILLIPS, HEAD, "N". COVER	6	JP7733
74	RETAINER, SCREW, PHILLIPS, HEAD, "N"	6	JP7733-02
75ASSY SEE FIG 1-8	NOZZLE, STEAM, HEX, FITTINGS, ASSY	1	
76ASSY SEE FIG 1-8	NOZZLE, STEAM, FAN, 2", ASSY	1	
77	DECAL, DANGER, WARNING, CAUTION, LARGE	1	JD7239
78	DECAL, NOTICE, GROUND, 4MILTHK, 5YRWHT	1	JD2344-01
79	GROMMET, RUBBER, BLACK, 7/16 I.D.	5	JD3385-01
80	GROMMET, RUBBER, BLACK, 5/8 I.D.	2	JD3385
81	CLAMP, GEAR, WORM, SS, 7/16 TO 25/32" DIA.	2	JD3068
NOT SHOWN	TAG, WARNING, ELECTRIC, CORD	1	JD7075
NOT SHOWN	DECAL, CAUTION, FUSIBLE, PLUG, 2 X 3-1/2, LEXAN	1	JD2858
NOT SHOWN	DECAL, PACKED, GROOMED, TESTED	1	JD6013
NOT SHOWN	DECAL, MADE-IN-THE-USA, JENNY	1	JD6211
NOT SHOWN	TAG, TESTED, FUEL	1	JD7196-01
NOT SHOWN	DECAL, FUEL, OIL, MYLAR, BLUE, 1" X 4'	1	JD2345



ITEM NO.	QTY.	DESCRIPTION	PART NO.
1	1	PUMP, PLUNGER, TRIPLEX, 1800PSI, 2.11GPM, AR	JD7956
2	1	PULLEY, CI, SG, TH, AK94H, 9.0PDA, 8.66PD3L	JD3904-67
3	1	BUSHING, PULLEY, TAPERED, 24MM BORE	JD3915
4	2	H.H.B. 1/4-20 UNC-3/4 CLASS 5 RECEIVED W/BUSHING	
5	1	PLATE, MOUNTING, PUMP, STEEL, PAINTED,	JD8016
6	4	WASHER, LOCK, SPLIT, STEEL, PLATED, 5/16	JD 612
7	4	SCREW, CAP, HEX, HD, ST, PLTD, M8-1.25X16MM	JD7258
8	1	NIPPLE, BRASS, 1/2NPT X 1-1/2LONG	JD3094-01
9	1	BARB, HOSE, MALE, BRASS, 1/4HSX1/2NPTM	JD7826
10	1	TEE, FEMALE, BRASS, 1/2NPT	JD3023
11	1	BARB, HOSE, MALE, BRASS, 3/8 X 1/2NPTM	JD7708-01

FIGURE 1-1 (Pump, Mounting, Fitting, JD8306, SJ 70, OEP Ass'y)

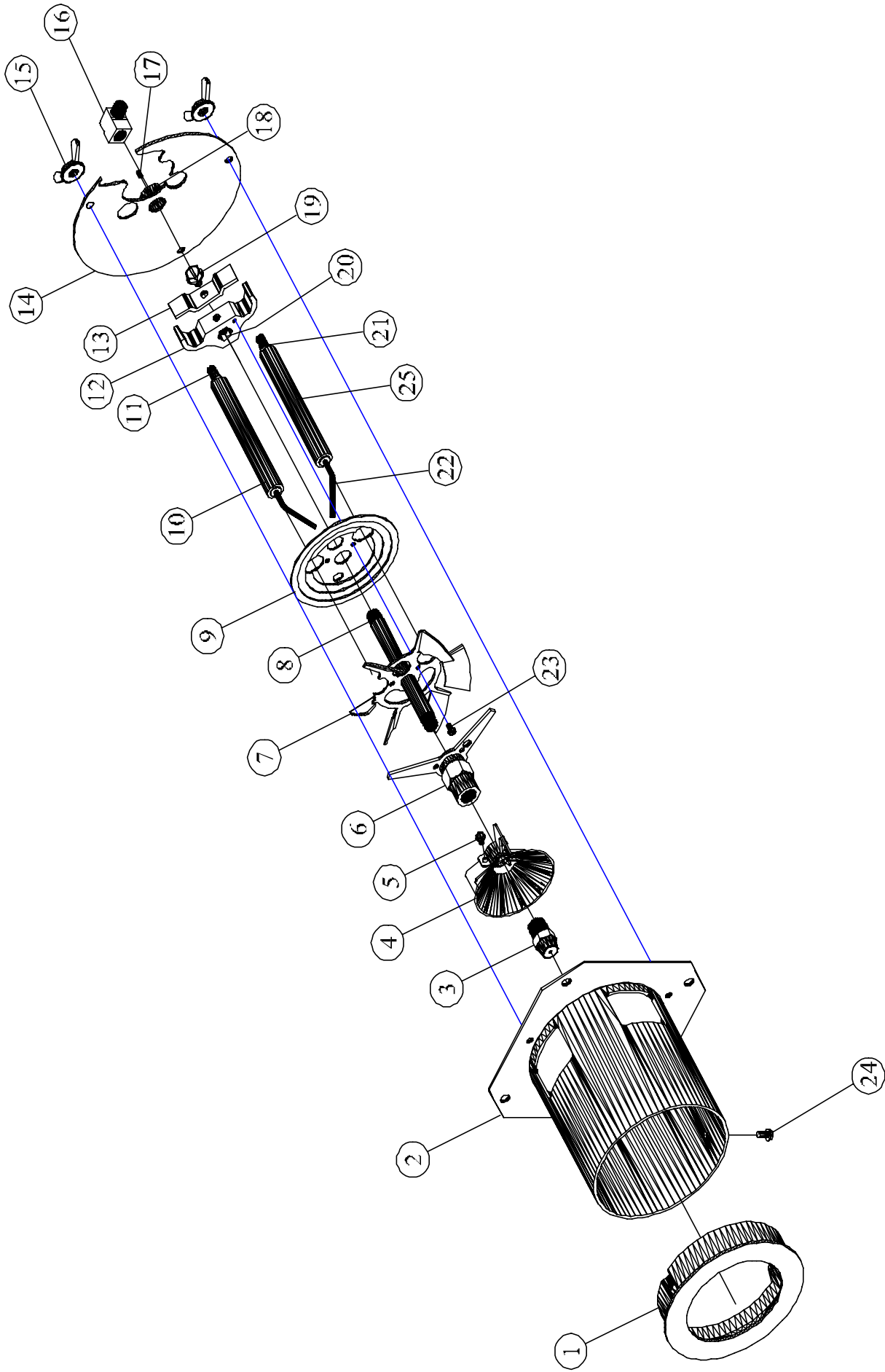
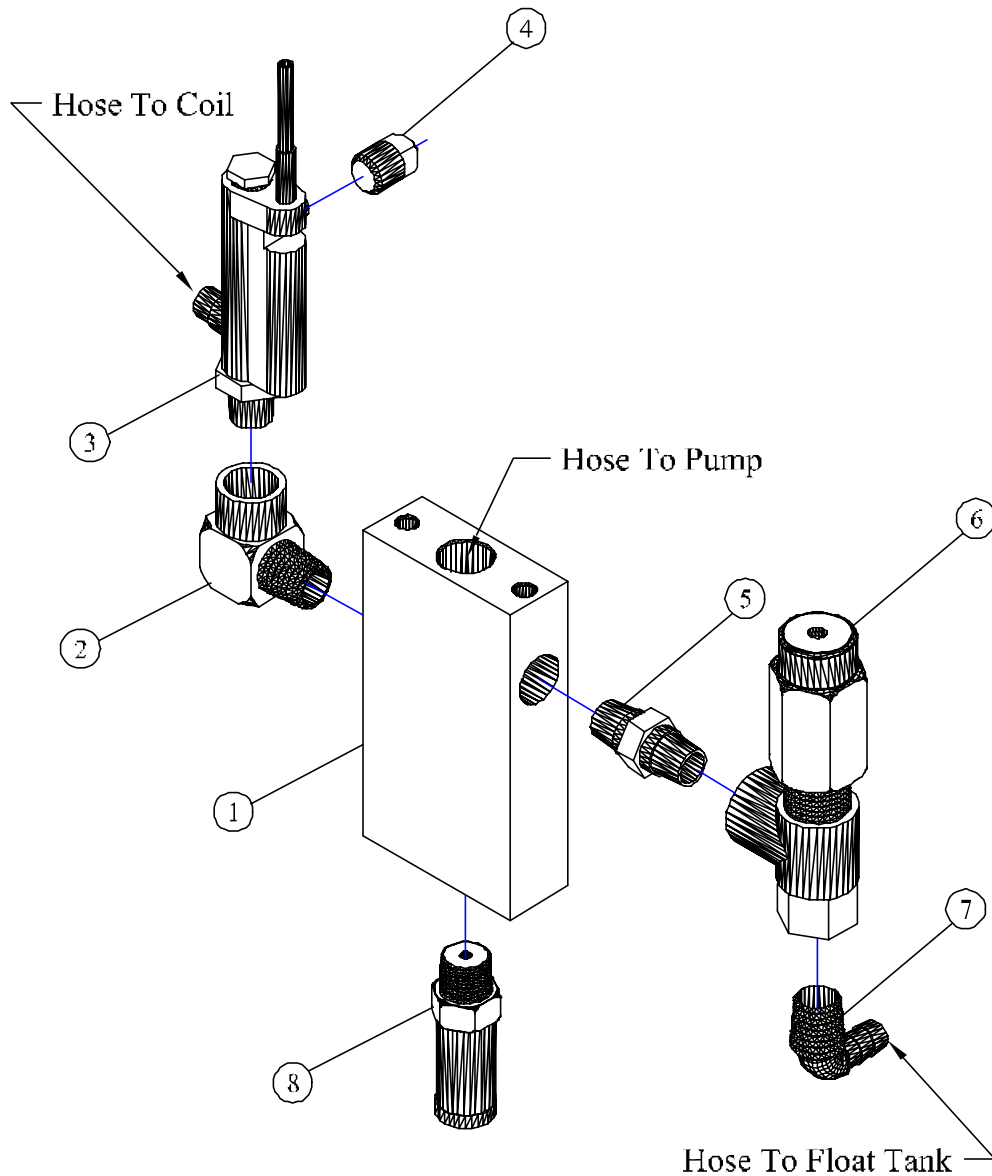


FIGURE 1-2 (Burner, Gun, Oil, Double, Electrode JB1000, SJ 70 OEP, Assy)

**SJ 70, OEP**  
**BURNER, GUN, OIL, DOUBLE, ELECTRODE**  
**JB 1000, ASSY**

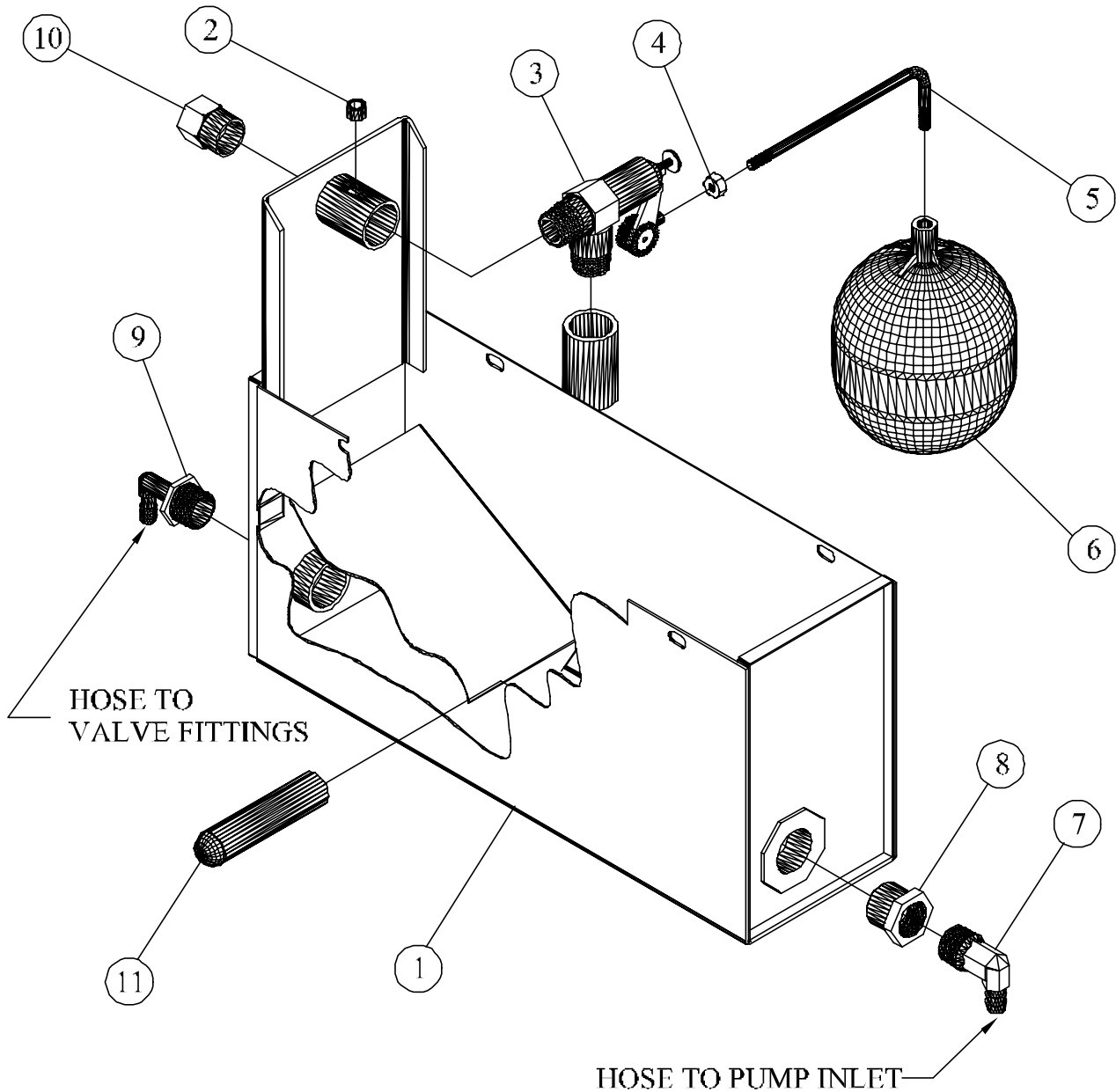
10/4/2001

<b>ITEM NO.</b>	<b>DESCRIPTION</b>	<b>QTY.</b>	<b>PART NO.</b>
1	CONE, AIR, MI, 4.0 O.D. X 3.0 I.D. X .875 LONG	1	JB1002
2	TUBE, AIR, STEEL, 4.25 O.D. X 4.0 I.D. X 4.50 LONG ASSY	1	JB1001
3	NOZZLE, BURNER, OIL, 1.50 GPH, 80 DEG S.C.	1	JB1513
4	FLAME LOCK, STAINLESS, 10 VANE, 2.5" CONE	1	JB1007
5	SCREW, SELF TAP, HEX, WASH, STEEL, PLATED, 6-32 X 3/8	1	JB1014
6	ADAPTER, NOZZLE, BRASS, W/LEG, SUPPORT	1	JB1006
7	WHIRLER, STEEL, PLATED, 6 VANE, 3-11/16 O.D.	1	JD1010
8	NIPPLE, STEEL, SCH40, 1/8" NPT X 4" LONG	1	JB1004
9	PLATE, STEEL, PLATED, DISC, SOLID, 3-3/8 O.D.	1	JB1009
10	INSULATOR, ELECTRODE, CERAMIC, GLAZED, 4"	2	JB1015-01
11	CONNECTOR, SPARK PLUG, RAJAH, 100734-002	2	JB1015-04
12	SUPPORT, ELECTRODE, ALUMINUM	1	JB1008
13	CLAMP, ELECTRODE, STEEL, 13 GA. X .5 X 2.0	1	JB1011
14	PLATE, BURNER, STEEL, 14 GA X 5.25 DIAMETER	1	JB1003
15	NUT, WING, STEEL, FORGED, PLATED, 10-24	3	JD2186
16	ELBOW, FEMALE, BRASS, 1/4-45 SAE X 1/8 NPTF	1	JB1018
17	SCREW, SET, HEX, CUP POINT, NYLK, 1/4-20X1/4	1	JE 895
18	COLLAR, STEEL, .875 O.D. X .437 I.D. X .437 LONG	1	JB1005
19	SCREW, MACHINE, HEX, WSHR, ST, PLATED, 10-24 X 5/16	1	JB1013
20	SCREW, SET, HEX, CUP POINT, 10-24 X 1/4	1	JB1012
21	NUT, LOCK, FLANGE, HEX, ST, PL, #6-32	2	JB1015-03
22	ELECTRODE, BENT RADIUS, TUNGSTEN	2	JB1015-02
23	SCREW, SELFTAP, HEX WASH, ST, PL, 4-40 X 3/8	1	JB1016
24	SCREW, MACHINE, PHILLIPS, ST, PL, FL, 8-32 X 3/8	1	JB1017
25	ELECTRODE, 4" CERAMIC, POINTED, BENT RADIUS	2	JB1015



ITEM NO.	QTY.	DESCRIPTION	PART NO.
1	1	MANIFOLD, FITTINGS, STEEL, PLATED, ALL, UNITS	JP7716
2	1	ELBOW, STREET, STEEL, PLATED 3/8 NPT	JD3717-03
3	1	SWITCH, FLOW, SP. ST, NO, 20VA, 3/8 NPTM	JD7279
	1	REPLACEMENT, SWITCH, REED, ASSY, 47" LEAD	JD7279-01
4	1	PLUG, HEAD, SQUARE, BRASS, 1/4 NPT	JD 679-02
5	1	NIPPLE, HEX, STEEL, PLATED, 3/8NPT X 3/8 NPT	JD3716-01
6	1	VALVE, UNLOADER, PSI ACT, REG, 2415PSI, 6.3 GPM	JD3324-Q
7	1	BARB, HOSE, ELBOW, MALE, BRASS, 3/8HS NPT	JD7149
8	1	VALVE, RELIEF, 0-1200 PSI, 160F, 3/8NPTM	JD7048-D

FIGURE 1-3 (Manifold, Fitting, Valve, JD8220-A, SJ 70 Ass'y)



ITEM NO.	QTY.	DESCRIPTION	PART NO.
1	1	TANK, FLOAT, BOLT-ON, JB	JD8015
2	1	PLUG, SOCKET, HEX, BRASS, 1/8NPT	JD7243
3	1	VALVE, FLOAT, BRASS, 60PSI, 1/2"NPTM	JD2988-B
4	1	NUT, HEX, STEEL, PLATED, 1/4-20	JD 791
5	1	ROD, FLOAT, BENT, BRASS, 1/4 X 5-5/8 LG X 1/4-20	JD1416-02
6	1	BALL, FLOAT, PLASTIC, BLACK	JD1416-01
7	1	BARB, HOSE, ELBOW, MALE, BRASS, 3/8HS X 1/2NPT	JD7150-01
8	1	BUSHING, REDUCER, HEX, BRASS, 3/4 X 1/2 STRAINER	JP6594
9	1	ELBOW, BARB, HOSE, MALE, PLASTIC, 3/8HS X 3/4 NP	JD7058-A
10	1	CONNECTOR, BR, 3/4GARDEN HOSEX1/2NP'TM, SWIV	JD7142
11	1	STRAINER, WATER, SS, 30MESH, 25/31 OD X 3-1/8LG	JD3843

FIGURE 1-4 (Tank, Float, Fitting, JD8245-B, SJ 70 OEP, Ass'y)

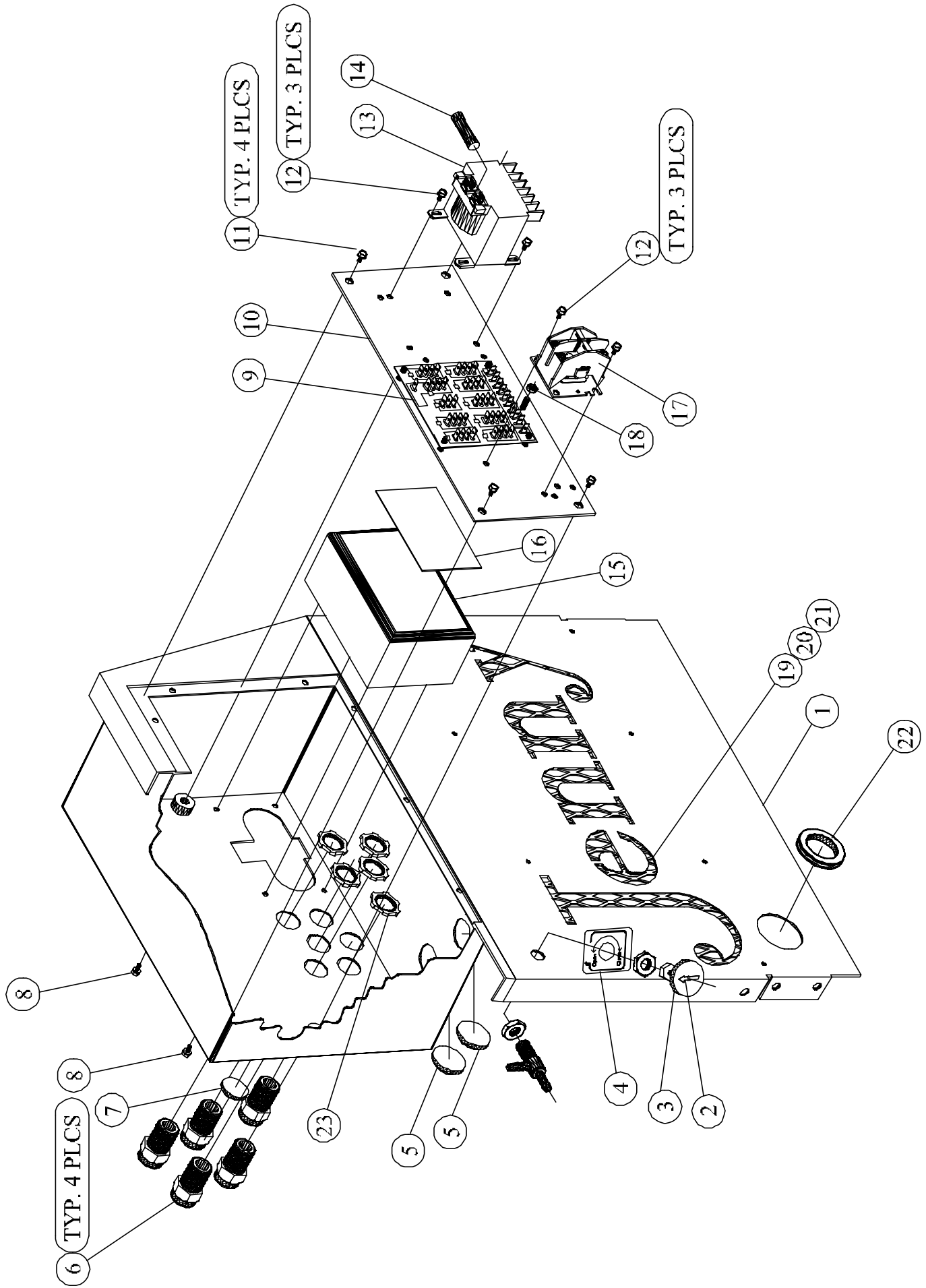
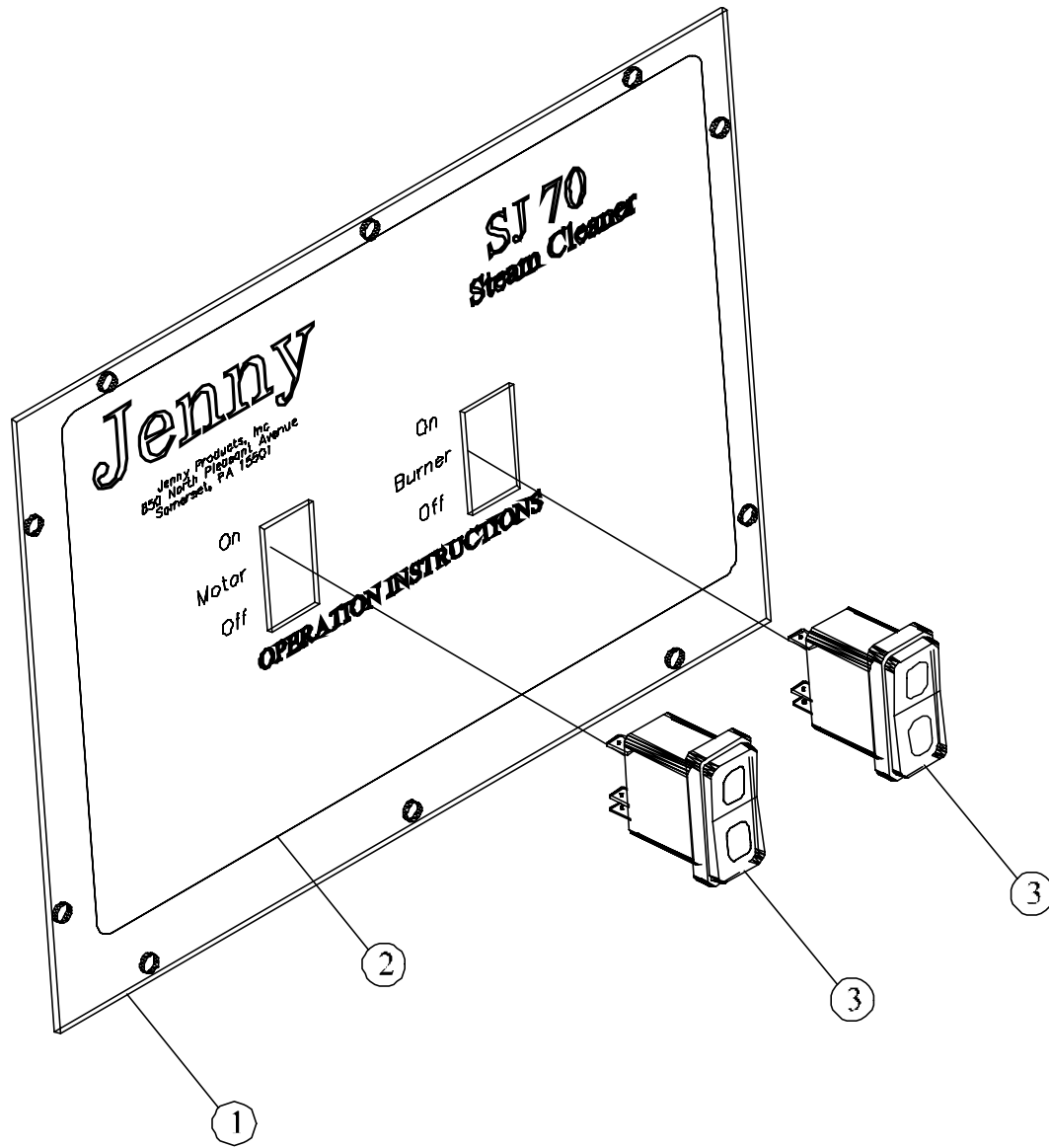


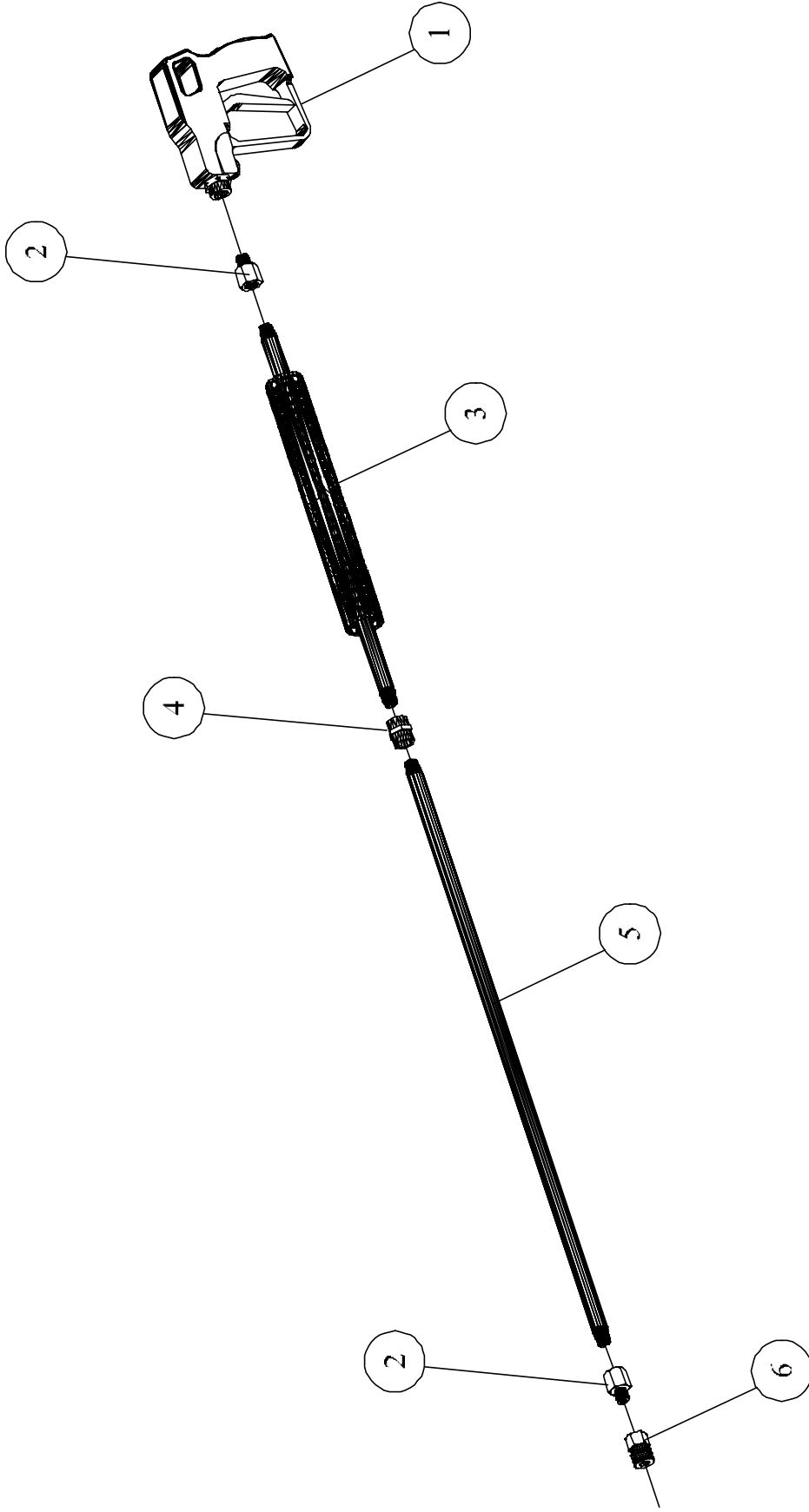
FIGURE 1-5 ( Box, Junction, Panel, Front, 110-220 / 1PH, 30A, JE2000, SJ 70, OEP, Assy)

ITEM NO.	DESCRIPTION	QTY.	PART NO.
1	PANEL, CONTROL, BOX, JUNCTION, STEEL, PAINTED	1	JD8007
2	DECAL, INDICATOR, HANDLE, VALVE, SOLUTION	1	JD7143
3	VALVE, NEEDLE, SOLUTION, BRASS, 1/4 IDHS-BARB	1	JD6248- A
4	DECAL, SOLUTION, METERING, VALVE	1	JD7821
5	PLUG, HOLE, PLASTIC, BLACK, 1.093"	2	JD3856-05
6	CONNECTOR, RELIEF, STRAINER, 5/8-3/4, 3/4 NPTM	5	JD1687-06
7	PLUG, HOLE, PLASTIC, BLACK, 7/8"	1	JD3856
8	SCREW, FLANGE, HEX, SERR, ST, PL, 6-32 X 3/8	4	JD7900- A
9	BOARD, CIRCUIT, PRINTED, ALL, MACHINE	1	JB5000
10	PLATE, MOUNTING, PANEL, CONTROL, BOX, JNCT, ST	1	JD8008
11	SCREW, FLANGE, HEX, SERR, ST, PL, 1/4-20 X 3/8	4	JD7904
12	SCREW, FLANGE, HEX, SERR, ST, PL, 8-32 X 3/8	6	JD7901-B
13	TRANSFORMER, CONTROL, OPN, 100VA, 120-460 VP, 24V	1	JD2868
14	FUSE, ELEMENT, DUAL, DELAY, TIME, 250V, 6AMP	1	JD3107-11
15	TRANSFORMER, IGNITION, 24V, PRIM, 18000V, SEC	1	JB1502
16	PLATE, NAME, ALUM, TRANSFORMER, IGNITION, 24V	1	JB1502-01
17	CONTACTOR, DP, OP, 2P, 30A, 24V	1	JP3530-D
18	NUT, HEX, STEEL, PLATED, 10-32	1	JD 781
19	SCREEN, COVER, MACHINE, STEEL, PAINTED	1	JP7720-01
20	WASHER, FLAT, SS, 7/8 O.D X 5/32 I.D. X 20 GA	8	JP7720- 03
21	RIVET, AL, .160-.164 HOLE, .063-.125 GRP, 5/32	8	JP7720-02
22	GROMMET, RUBBER, BLACK, 1-1/2 I.D.	1	JP 675
23	NUT, LOCK, CONDUIT, STEEL, PLATED, 1/2"	5	JP 809



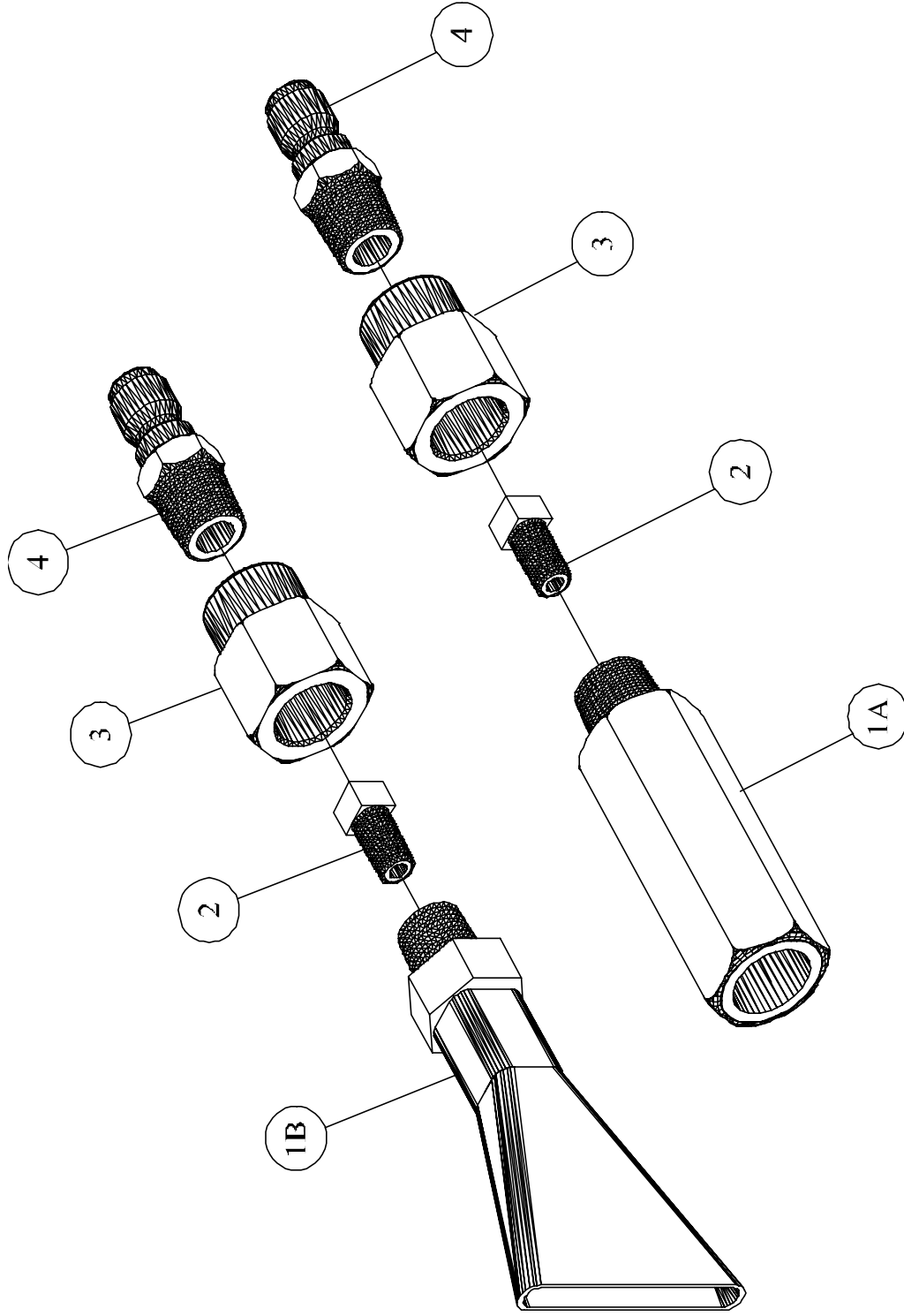
ITEM NO.	QTY.	DESCRIPTION	PART NO.
1	1	PLATE, COVER, PANEL, CONTROL, BOX, JUNC, HPW	JD8009
2	1	DECAL, PANEL, INSTRUCTION, SJ 70, OEP & GES	JD8430
3	2	SWITCH, ROCKER, SP, ST, 10A, 24V, LED, LIGHT	JE1004

FIGURE 1-6 (Panel, Instruction, SJ 70, Ass'y)



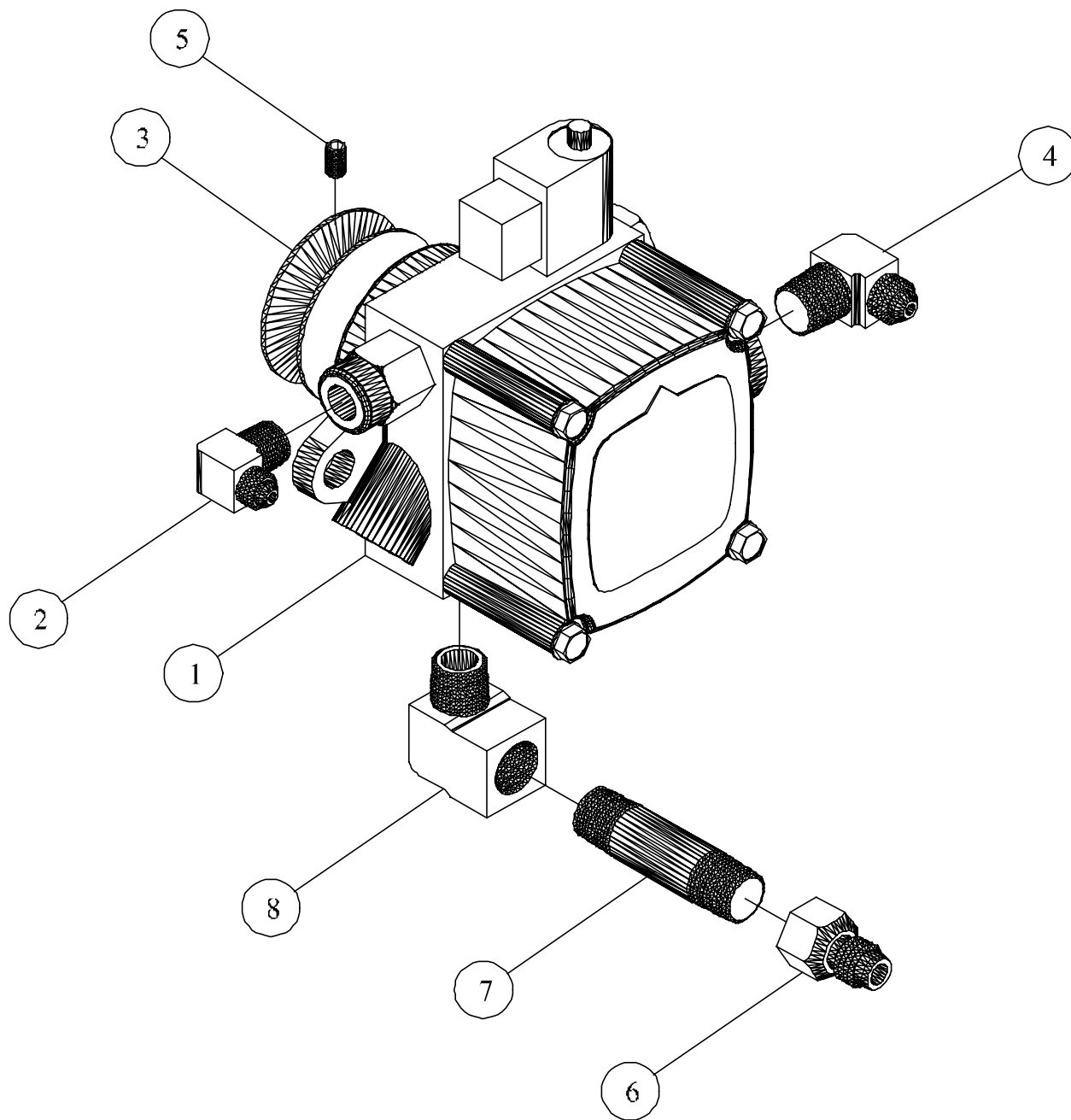
ITEM NO.	QTY.	DESCRIPTION	PART NO.
1	1	GUN, TRIGGER, 3000PSI, 8GPM, 320F	JD6068-B
2	2	ADAPTER, EXPANDING, STEEL, PLATED, 1/4M X 3/8F	JD6224
3	1	HANDLE, PERFORATED, SCH80, STEEL, ASSY, 3 8	JE 280-E
4	1	COUPLING, HEX, STEEL, PLATED, 3 8NPT X 3/8NPT	JD 907-04
5	1	NIPPLE, STEEL, SCH80, 3/8NPT X 28 LONG	JD 963
6	1	SOCKET, QUICK, COUPLING, BRASS, 1/4M X 3/8F	JD3102-02

FIGURE 1-7 (GUN, SCH80, N/C, W/O, SWIVEL, ASSY, 3/8", JP4261-H)



ITEM NO.	QTY.	DESCRIPTION	PART NO.
1A	1	NOZZLE, STEAM, 3/4 HEX, STEEL, PLATED, 3/8 X 3/8	JP3308-B
1B	1	NOZZLE, FAN, STEAM, 2" WIDE	JD 459
2	2	ORIFICE, STEAM, SS, #44	JP3175-02
3	2	COUPLING, HEX, BRASS, 3/8NPTF X 1/4 NPTF	JD 920-01
4	2	PLUG-QUICK, COUPLING, BRASS, 1/4" NPTM	JD3103-04

FIGURE 1-8 (NOZZLE, STEAM & FAN, COMBINATION, FITTINGS, SJ 70, OEP, ASSY)



ITEM NO.	QTY.	DESCRIPTION	PART NO.
1	1	PUMP, OIL, FUEL, SNGLSTGE, 3GPM, 3450RPM, 24V	JD3306-F
2	1	ELBOW, MALE, BRASS, 1/4-45 SAE X 1/8 NPT	JD 651
3	1	PULLEY, CRS, SG, 1-3/4" OD X 5/16" ID (3L BELT)	JD3233-03
4	1	ELBOW, MALE, BRASS, 1/4-45 SAE X 1/4 NPT	JD 652
5	1	SCREW, SET, HEX, SOC, CUP, PNT, NYLK, 8-32X3/16	JD3241
6	1	CONNECTOR, FEMALE, BRASS, 1/4"-45° SAE X 1/4NPT	JD2391
7	1	NIPPLE, BRASS, 1/4 NPT X 2 LONG	JD 745-01
8	1	ELBOW, STREET, BRASS, 1/4 NPT	JD 670

FIGURE 1-9 (PUMP, FUEL, JENNY-BURNER, JP7738, SJ 70 OEP, ASSY)

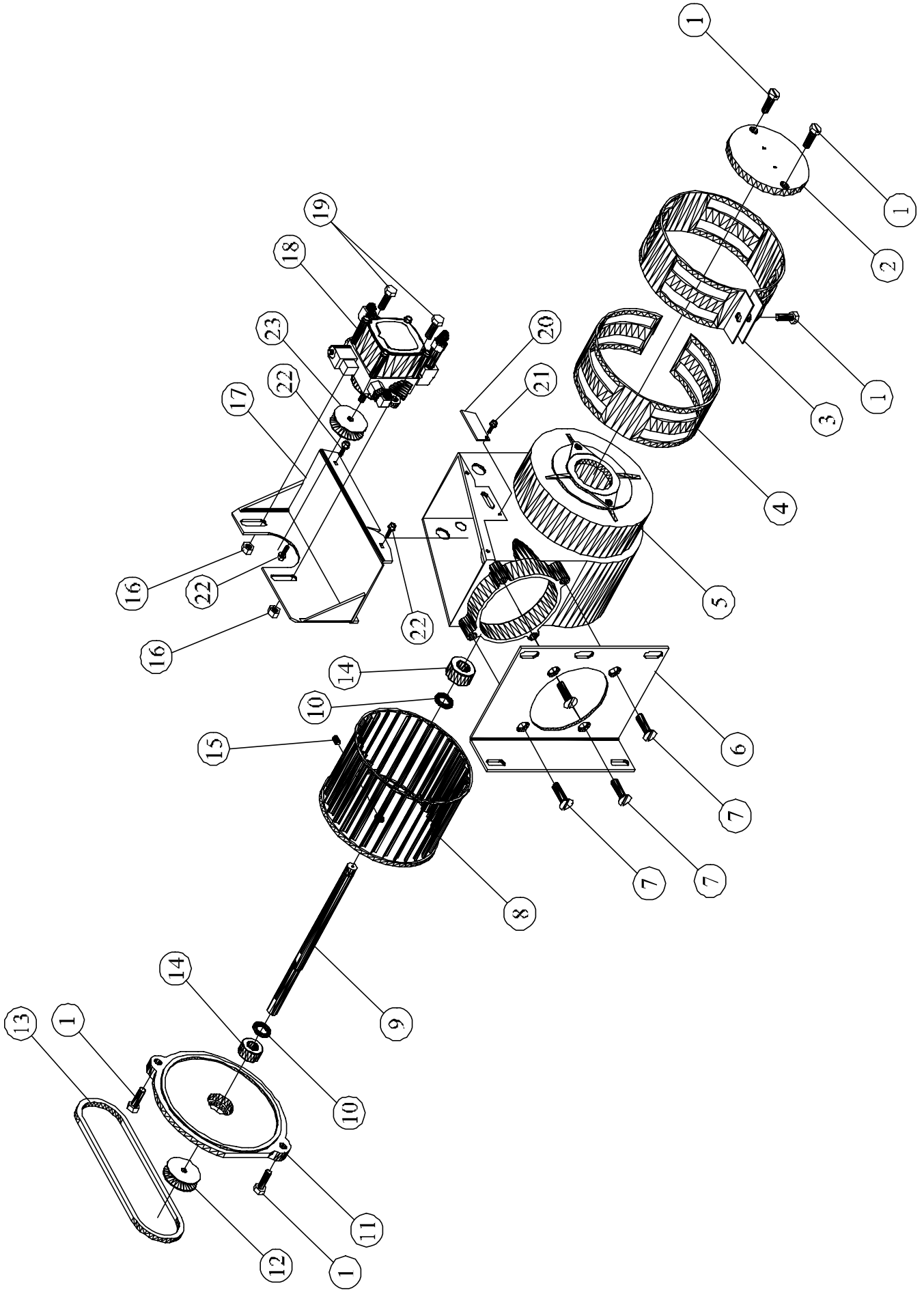
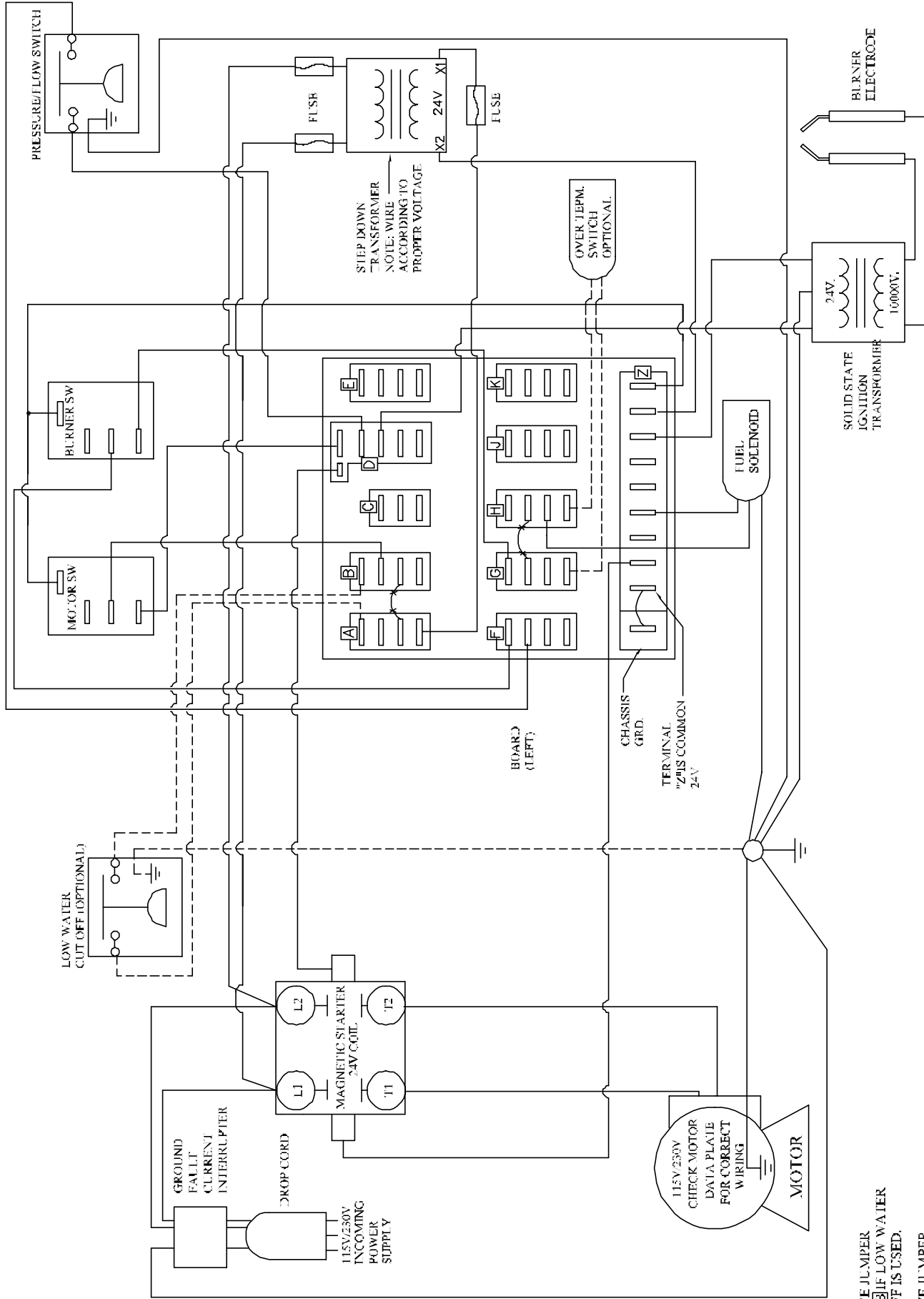


FIGURE 1-10 (Blower, Air, JB2000, 6" OD X 4" W X 1/2" Shaft, SJ 70 OEP, Assy)

**SJ 70 OEP, Blower, Air, JB2000**  
**6" ODX 4"W X 1/2" Shaft Assy**

<b>ITEM NO.</b>	<b>DESCRIPTION</b>	<b>QTY.</b>	<b>PART NO.</b>
1	SCREW, MACHINE, HEX, SERR, ST, PL, 5/16-18 X 7/8	5	JB2012
2	RETAINER, BEARING, ALUMINUM, BAND, AIR	1	JB2006
3	BAND, AIR, OUTER, STEEL, PLATED, 8 HOLE	1	JB2003
4	BAND, AIR, INNER, STEEL, PLATED, 7 HOLE	1	JB2002
5	HOUSING, BLOWER, ALUMINUM, 6.25OD X 4.0 WHEEL	1	JB2001
6	PLATE, MOUNTING, ST, PLATED, ADAPTER, CHASSIS	1	JB2010
7	SCREW, MACHINE, UNDERCUT, SLT, FLT, 5/16-18 X 5/8	4	JB2013
8	WHEEL, BLOWER, ST, 6.25 OD X 4.0W 1/2" SHAFT	1	JB2007
9	SHAFT,BLOWER,STL,0.50DIA.X9.562L,W/KEYS	1	JB2008
10	RING, RETAINER, EXTERIOR, STEEL, 1/2	2	JB2015
11	FLANGE, ALUMINUM, RETAINER, BEARING, N - FLANGE	1	JB2009
12	PULLEY, CRS, SG, 1-3/4 OD X 1/2 ID (3L BELT)	1	JD3233-04
13	BELT, VEE, FHP, 3L230	1	JD3509
14	BEARING, BALL, 1.375OD X .500 ID X .437 WIDE (LOCK-TIGHT ON)	2	JB2011
15	SCREW, SET, HEX-SKT, KNURL-PNT, 5/16-24 X 3/8L	1	JB2017
16	NUT, LOCK, FLANGE, HEX, SERR, ST, PL, 5/16-18	2	JD7774-E
17	PLATE, MOUNTING, PUMP, FUEL, STEEL, PAINTED	1	JB2005
18	ASSY SEE FIG 1-9 PUMP, FUEL, ASSY, JENNY-BURNER	1	JP7738
19	SCREW, FLANGE, HEX, SERR, ST, PL, 5/16-18 X 3/4	2	JD7905-B
20	PLATE, COVER, SLOT, STEEL, PLATED, 18GA X 1 X 2.5	1	JB2004
21	SCREW, SELFTAP, HEX, SERRATED, FLT, 10-24 X 3/8	1	JB2014
22	SCREW, SLF DRL, HEX, WASHER, PLATED #10 X 5/8	3	JD7074-A
23	PULLEY,CRS,SG,1-3/4"ODX5/16"ID (3L BELT)	1	JD3233-03



NOTES:  
 REMOVE Jumper [A] → [B] IF LOW WATER CUT OFF IS USED.  
 REMOVE Jumper [C] → [D] IF OVER TEMP. SWITCH IS USED.

(Electrical Schematic Diagram) Oil Fired, Hot Pressure Washer/ Steam Jenny, 115/230/1PH, JB File Name: JW 103