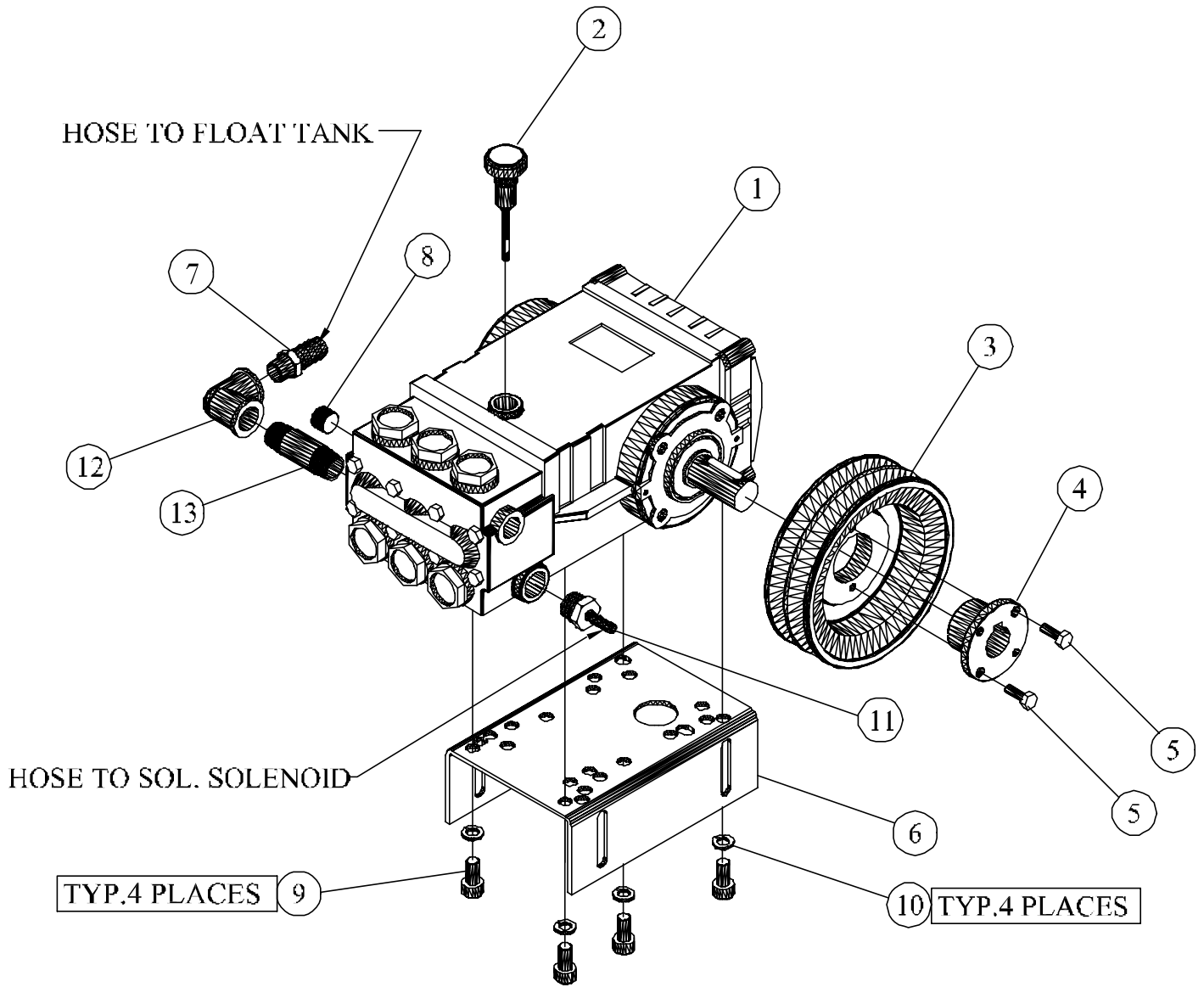


Jenny Products Inc.  
 Hpw.3540, OEP, 230V 60HZ/3PH, N/C, JB

| <b>HPW3540, OEP, 230V/60HZ/3PH, N/C, JB</b> |   |             |                 |
|---|---|-------------|-----------------|
| <b>PARTS LIST</b>                           |   |             |                 |
| <b>Notes: Figure 20- (common Parts)</b>     |   |             |                 |
| <b>Electrical Dia. Files Jw 104</b>         |   |             |                 |
| <b>ITEM NO.</b>                             | <b>DESCRIPTION</b>                                  | <b>QTY.</b> | <b>PART NO.</b> |
| 1   | CHASSIS, CHANNEL, MAIN, ST, PAINTED, OIL FIRED      | 1           | JD8000          |
| 2ASSY SEE FIG 1-8                           | BLOWER, AIR, ASSY, 6" OD X 4" W X 1/2" SHAFT        | 1           | JB2000          |
| 3ASSY SEE FIG 1-2                           | BURNER, GUN, OIL, DOUBLE, ELECTRODE                 | 1           | JB1000          |
| 4ASSY SEE FIG 1-4                           | TANK,FLOAT,ASSY,W/FITTINGS,HPW3040,OEP              | 1           | JD8245-P        |
| 5   | TANK, FUEL, BOLT-ON, STEEL, PAINTED, 13.3 GALLON    | 1           | JD8020          |
| 6   | CASING, COIL, BOLT-ON, STEEL, PAINTED, LARGE        | 1           | JD8002          |
| 7   | GROMMET, RUBBER BLACK, 1-1/2 I.D.                   | 1           | JP 675          |
| 8   | DISC, INSULATION, CERAMIC, 14-3/8 OD X 4-1/8 X 3/8  | 1           | JD7238-A        |
| 9   | COIL, OIL, FIRED, 3/8" PIPE, SCH8 0                 | 1           | JP2610-D        |
| 10  | POT, FIRE, S.S.                                     | 1           | JL 133          |
| 11  | CORDSET, VALVE, SOLENOID, FUEL, SUNTEC              | 1           | JD3306-E        |
| 12  | TEE, STREET, STEEL, PLATED, 3/8" NPT                | 1           | JD 860-02       |
| 13  | THERMOSTAT, IMMERSION, SP, ST, NC, 240 DEG F        | 1           | JD7137          |
| 14  | GUN, TRIGGER, 5000PSI, 10GPM, 300F                  | 1           | JD6068-A        |
| 15  | HOSE, FUEL, ASSY, 1/4" X 42" L, HP W                | 2           | JD8246          |
| 16  | HOSE, SOLVENT, NEOPRENE, 1/2" I.D.                  | 3           | JD 946          |
| 17  | TUBING, PVC, CLEAR, 3/8ODX1/4ID                     | 1.5         | JD3087          |
| 18  | CLAMP, HOSE, GEAR, WORM, SS, 9/16 TO 1-1/16 DIA.    | 4           | JD1229-A        |
| 19ASSY SEE FIG 1-1                          | PUMP, MOUNTING & FITTINGS, ASSY, 3040, OEP, GEN     | 1           | JD8305-A        |
| 20ASSY                                      | PANEL, COVER, REAR, STEEL, PAINTED, NS              | 1           | JD8006          |
| 21  | WIRE, SO, CPE, BLACK, 8/ 4                          | 2.5         | JE 479          |
| 22  | CONNECTOR, RELIEF, STRAINER, 5/8-3/4, 3/4 NPTM      | 1           | JD1687-17       |
| 23  | BELT, VEE, FHP, COG, 4L220                          | 1           | JD3792          |
| 24  | PULLEY, CRS, SG, 2.2" OD X 1/2" I.D.                | 1           | JD7835          |
| 25  | BELT, VEE, COG, BX37                                | 2           | JD3959-11       |
| 26  | BUSHING, PULLEY, TAPERED, 1-3/8" BORE               | 1           | JD3915-06       |
| 27  | PULLEY, CI, TG, TH, 3BK47H, 4.1PDA                  | 1           | JD3904-55       |
| 28ASSY SEE FIG 1-3                          | MANIFOLD, FITTINGS, VALVE, HPW3540, ASSY, GES       | 1           | JD8205          |
| 29  | WIRE, IGNITION, BURNER, ASSY, 50000 V               | 2           | JD8247          |
| 30  | MOLDING, RUBBER, FOAM, ADHESIVE, 1/2WX1/8T          | 1           | JD3782-B        |
| 31ASSY SEE FIG 1-5                          | BOX, JUNCTION, PANEL, FRONT, 230-575/3PH, 30A       | 1           | JE2002          |
| 32ASSY SEE FIG 1-6                          | PLATE, COVER, PANEL, CONTROL, BOX, JNCTN, HPW       | 1           | JD8009          |
| 33  | HOSE, WASH, PRESSURE, COLD, 5000PSI, 3/8X50FT       | 1           | JD7789-A        |
| 34-A  | MTR, 10HP, 230-460/60/3, 1725RPM, TEFC, F2          | 1           | JB3019-A        |
| 34-B  | MOTOR, 10HP, 575/60/3, 1725RPM, TEFC, F2            | 1           | JB3020-A        |
| 35  | CASTER, SWIVEL, W/BRAKE, 5" DIA X 2" FACE           | 1           | JD3217-01       |
| 36  | CASTER, SWIVEL, W/OUT/BRAKE, 5" DIA X 2" FAC E      | 1           | JD3217-02       |
| 37  | AXLE, CHASSIS, STEEL, PLATED, 3/4" OD X 24" O/L     | 1           | JD8010          |
| 38  | WHEEL, PNEUMATIC, 10" O.D. X 3/4 I.D., BALL BEARING | 2           | JP2643-F        |
| 39  | COLLAR, SCREW, SET, STEEL, PLATED, 3/4" I.D.        | 2           | JD7777          |
| 40  | GROMMET, RUBBER, BLACK, 7/16" I.D.                  | 5           | JD3385-01       |
| 41  | GROMMET, RUBBER, BLACK, 5/8" I.D.                   | 2           | JD3385          |
| 42  | DECAL, DANGER, WARNING, CAUTION, LARGE              | 1           | JD7239          |
| 43  | HOSE, HYD, 5K PSI, 21" L, 3/8NPTM, 3/8NPTM          | 2           | JD7830          |
| 44  | PLUG, QUICK COUPLING, STAINLESS, 3/8" NPTF          | 1           | JD3103-A        |
| 45  | STRAINER, CHEMICAL, BRASS, 1/4" HOSE BARB           | 1           | JD7140-A        |
| 46  | RING, CASING, COIL, SS, 7-15/16 I.D.                | 1           | JD2140-B        |
| 47  | COVER, SS, ASSY, OEP, NEW, JB, MACH                 | 1           | JD8248          |
| 48  | RECEPTICAL, CLIP-ON, STEEL, DACROTIZED              | 6           | JP7733-01       |

|                     |  |    |           |
|---------------------|--|----|-----------|
| 49                  | DECAL,NUMBER,MODEL,HPW3540,BLUE,LARGE                | 2  | JD8457    |
| 50                  | SCREW, SLF, TAP, PHILLIP, ST, PL, 8-32 X 3/8         | 10 | JD3043    |
| 51                  | SCREW, SLF, DRL, HEX, WASHER, PLTD, #10 X 5/8        | 7  | JD7074-A  |
| 52                  | SCREW, FLANGE, HEX, SERR, ST, PL, 1/4-20 X 1/2       | 12 | JD7904-A  |
| 53                  | SCREW, FLANGE, HEX, SERR, ST, PL, 5/16-18 X 1/2      | 10 | JD7905    |
| 54                  | SCREW, FLANGE, HEX, SERR, ST, PL, 5/16-18 X 3/4      | 4  | JD7905-B  |
| 55                  | SCREW, FLANGE, HEX, SERR, ST, PL, 3/8-16 X 3/4       | 4  | JD7906-A  |
| 56                  | NIPPLE, STEEL, SCH80, 3/8NPT X 2-3/4 LONG            | 1  | JD 968    |
| 57                  | SCREW, CARRIAGE, GR5, ST, PL, 3/8X6                  | 2  | JD7798    |
| 58                  | SCREW, SLF, TAP, HEX, WASHER, PLATED, 10-32X 1/2     | 1  | JD6219    |
| 59                  | NUT, LOCK, FLANGE, HEX, SERR, STEEL, PLATED, 5/16-18 | 4  | JD7774-E  |
| 60                  | NUT, LOCK, FLANGE, HEX, SERR, ST, PL, 3/8-16         | 6  | JD7774-F  |
| 61                  | RETAINER,SCREW,PHILLIPS,HEAD,"N"                     | 6  | JP7733-02 |
| 62                  | SCREW,PHILLIPS,HEAD,"N",COVER                        | 6  | JP7733    |
| 63                  | CLIP, SEPARATOR, WIRE, IGNITION, 7MM, 2-WIRE         | 4  | JD7831    |
| 64                  | CLIP, SEPARATOR, WIRE, IGNITION, 7MM, 3-WIRE         | 2  | JD7832    |
| 65                  | SCREW, CAP, HEX, HD, ST, PL, FLT, 3/8-16 X 2-1/4     | 2  | JD7035    |
| 66                  | FILTER, OIL, FUEL, W/HEAD, 3/8NPT                    | 1  | JD2117    |
|                     | REPLACEMENT, FILTER, OIL, FUEL, CARTRIDGE, SPIN-ON   | 1  | JD2117-01 |
| 67                  | CONNECTOR, MALE, BRASS, 1/4-45 SAE X 3/8 NPT         | 1  | JD1277    |
| 68                  | CONNECTOR, MALE, BRASS, 1/4-45 SAE X 1/4 NPT         | 1  | JD 659    |
| 69                  | CLAMP, SLEEVE, PLASTIC, 3/8 ID                       | 4  | JD2759    |
| 70                  | SOCKET,QUICK COUPLING,STAINLESS,3/8NPTF              | 1  | JD3102-A  |
| 71                  | NOZZLE, SPRAY, PSI, SS, QCK, CON, 0 DEG, O # 4.0     | 1  | JD7755    |
| 72                  | NOZZLE,SPRAY, PSI, SS, QCK, CON, 15DEG, O # 4.0      | 1  | JD7756    |
| 73                  | NOZZLE, SPRAY, PSI, SS, QCK, CON, 25 DEG, O # 4.0    | 1  | JD7757    |
| 74                  | NOZZLE, SPRAY, PSI, SS, QCK, CON, 40 DEG, O # 4.0    | 1  | JD7758    |
| 75                  | SOCKET,QUICK COUPLING,BRASS,1/4"NPTF                 | 1  | JD3102-02 |
| 76ASSY SEE FIG 20-1 | VALVE, SOLENOID, SOLUTION, 24V, 1/4NPT               | 1  | JD2162-F  |
| 77                  | LANCE,INSULATED,STEEL,ZINC-PLATED,1/4X36             | 1  | JP7080-O  |
| 78                  | DECAL, NAMEPLATE, OIL, FIRED                         | 1  | JD6251-05 |
| 79                  | DECAL, CLEAR, MYLA R                                 | 1  | JD6251-08 |
| 80                  | CLAMP,HOSE,NYLON,BLACK,.750/.875DI A                 | 2  | JD7859-F  |
| 81                  | CAP, FILLER, FUEL, STEEL, PLATED, 1/4 TURN           | 1  | JD3174    |
| 82                  | PLUG, HEAD, SOCKET, HEX, STEEL, PLATED, 3/4" NP      | 1  | JD 877    |
| 83                  | TUBING, COPPER, ASSY, BURNER, F. PUMP-SOL, JB        | 4  | JD1722-U  |
| 84                  | DECAL, NOTICE, GROUND, 4MILKTHK, SYRWHT              | 1  | JD2344-01 |
| NOT SHOWN           | DECAL, PACKED, GROOMED, TESTED                       | 1  | JD6013    |
| NOT SHOWN           | DECAL, MADE-IN-THE-USA, JENNY                        | 1  | JD6211    |
| NOT SHOWN           | TAG, TESTED, FUEL                                    | 1  | JD7196-01 |
| NOT SHOWN           | DECAL, FUEL, OIL, MYLAR, BLUE, 1" X 4"               | 1  | JD2345    |
| NOT SHOWN           | DECAL,NOTICE,ROTATION,4MILTHK,5YRWHT                 | 1  | JD2344    |



| ITEM NO. | QTY. | DESCRIPTION                                       | PART NO.  |
|----------|------|---|-----------|
| 1        | 1    | PUMP, PLUNGER, TRIPLEX, 3000PSI, 4.0GPM, GEN      | JD7869    |
| 2        | 1    | OIL, DIP, STICK, (RECEIVED W/PUMP)                |           |
| 3        | 1    | PULLEY, CI, SG, TH, 2BK57H, 4.7PDA, 5.1PDB        | JD3904-61 |
| 4        | 1    | BUSHING, PULLEY, TAPERED, 24MM BORE               | JD3915    |
| 5        | 2    | H.H.B. 1/4-20 UNC-3/4 CLASS 5 RECEIVED W/ BUSHING |           |
| 6        | 1    | PLATE, MOUNTING, PUMP, STEEL, PAINTED, JB         | JD8016    |
| 7        | 1    | BARB, HOSE, MALE, BRASS, 1/2 HS X 1/2 NPT         | JD7077-A  |
| 8        | 1    | PLUG, SOCKET, HEX, BRASS, 3/8 NPT                 | JD7151    |
| 9        | 4    | METRIC RECEIVED W/PUMP                            |           |
| 10       | 4    | WASHER, LOCK, SPLIT, STEEL, PLATED, 3/8"          | JD 613    |
| 11       | 1    | BARB, HOSE, MALE, BRASS, 1/4 HS X 1/2 NPTM        | JD7826    |
| 12       | 1    | ELBOW,FEMALE,BRASS,FORGED,1/2NPT                  | JD 692-02 |
| 13       | 1    | NIPPLE, BRASS, 1/2NPT X 1-1/2 LONG                | JD3094-01 |

FIGURE 1-1 (Pump, Mounting, & Fitting, JD8305-A, Hpw3540, Ass'y)

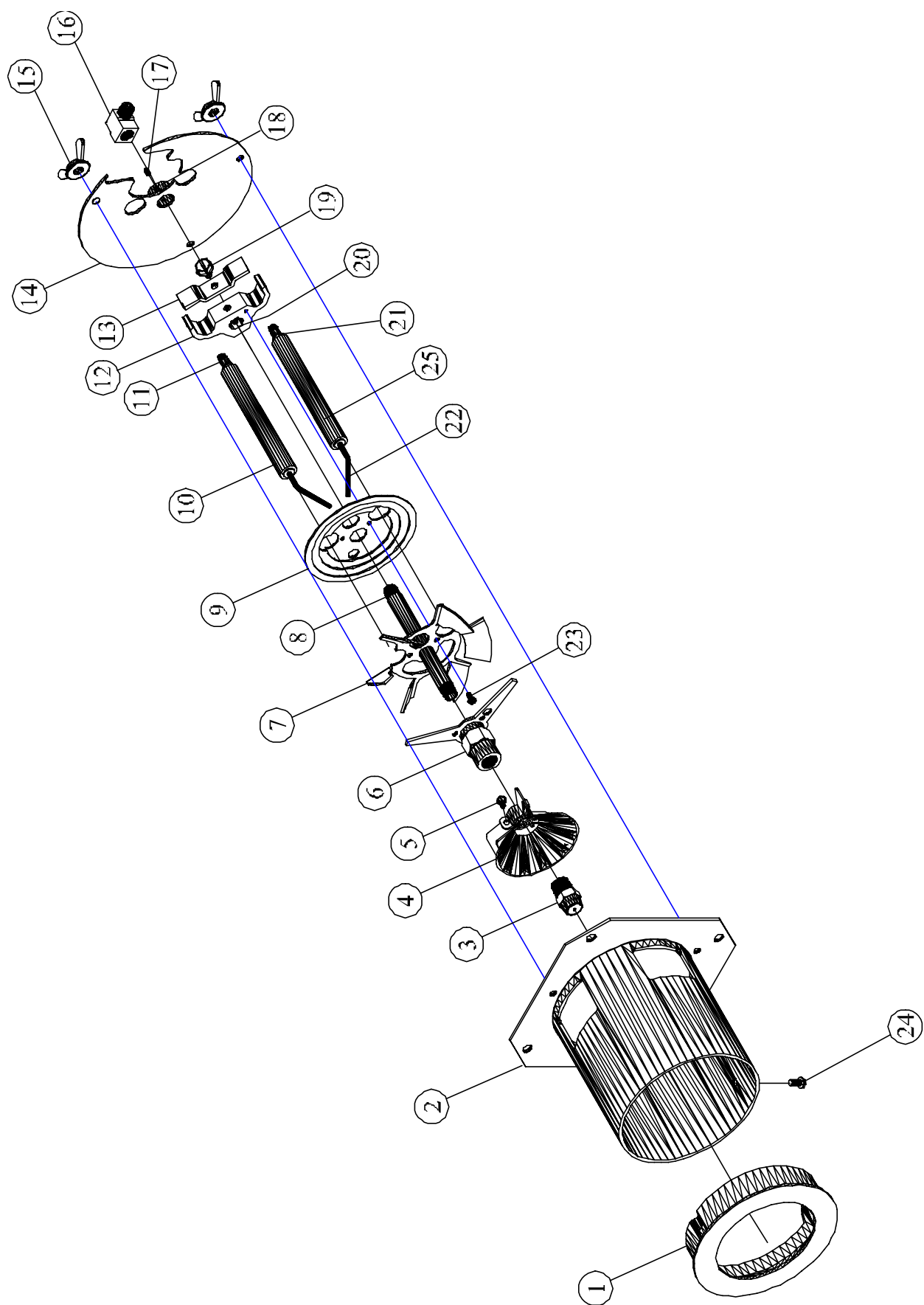
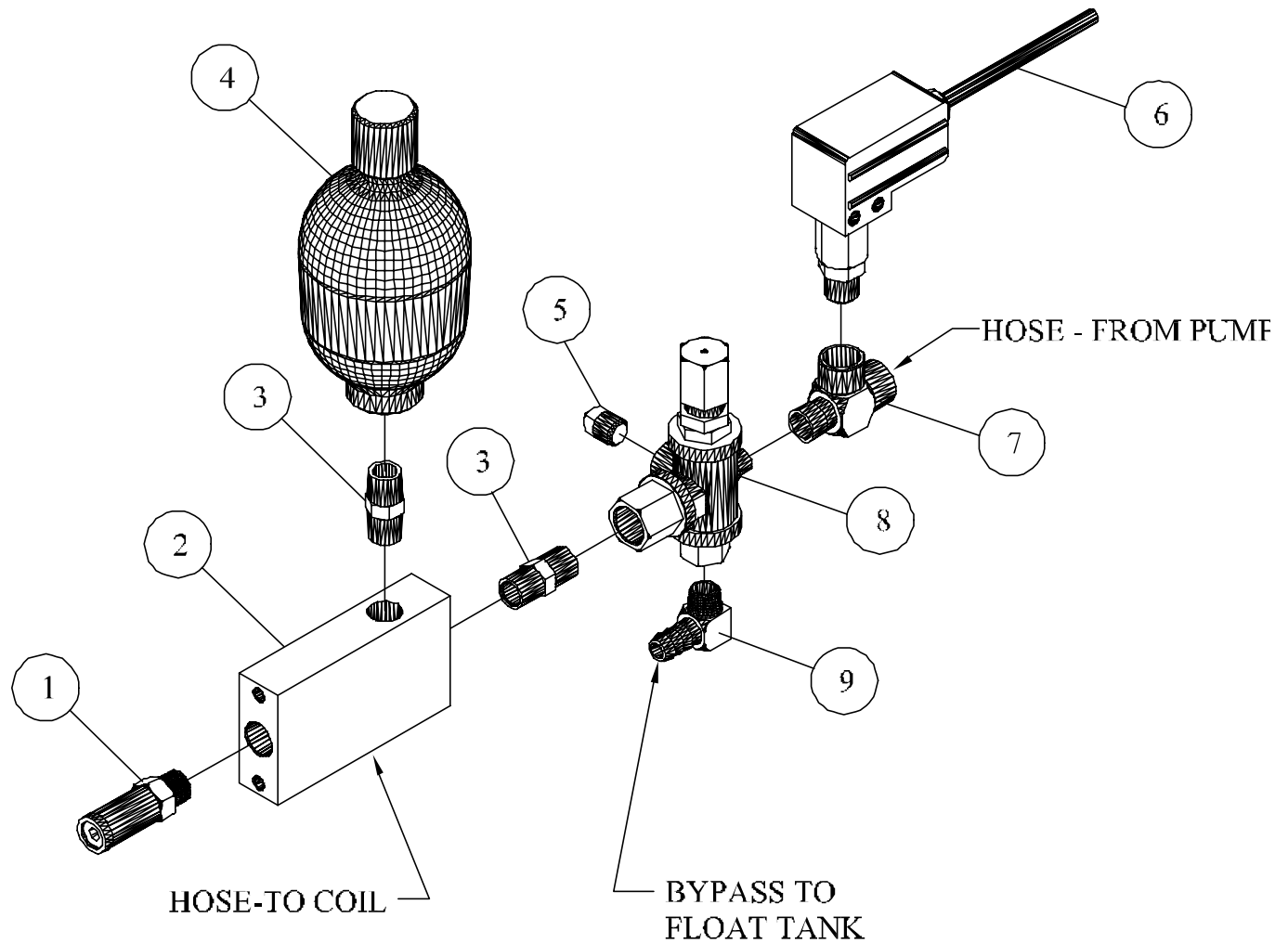


FIGURE I-2 (Burner, Gun, Oil, Double, Electrode JB1000, Hpv3540 OEP, Assy)

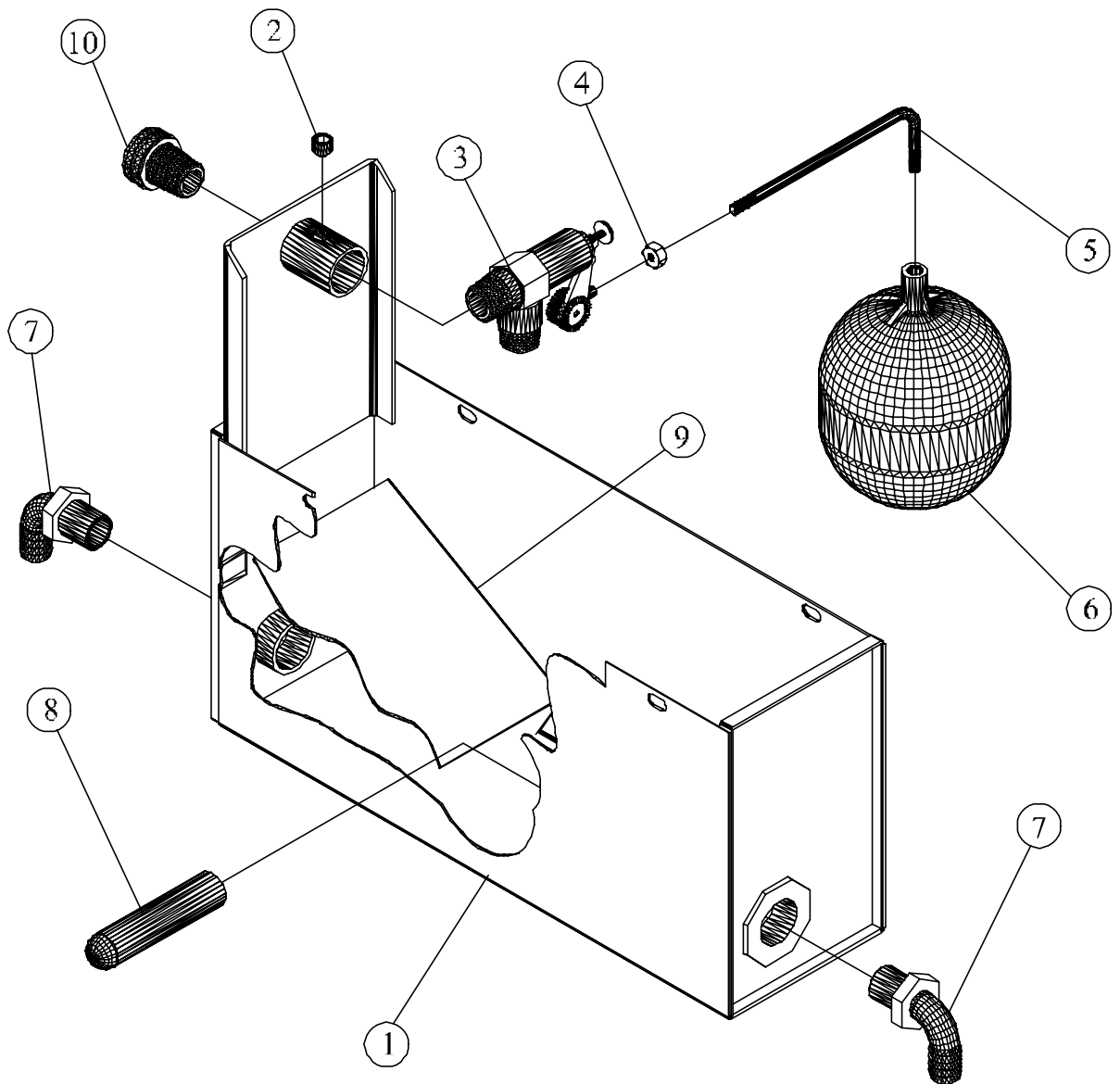
**Hpw 3540, OEP**  
**BURNER, GUN, OIL, DOUBLE, ELECTRODE**  
**JB1000, ASSY**

| <b>ITEM NO.</b> | <b>DESCRIPTION</b>   | <b>QTY.</b> | <b>PART NO.</b> |
|-----------------|--|-------------|-----------------|
| 1               | CONE, AIR, MI, 4.0 O.D. X 3.0 I.D. X .875 LONG                 | 1           | JB1002          |
| 2               | TUBE, AIR, STEEL, 4.25 O.D. X 4.0 I.D. X 4.50 LONG ASSY        | 1           | JB1001          |
| 3               | NOZZLE, BURNER, OIL, 1.75 GPH, 80 DEG S.C. (ON MACHINE B.O.M.) | 1           | JB1510          |
| 4               | FLAME LOCK, STAINLESS, 10 VANE, 2.5" CONE                      | 1           | JB1007          |
| 5               | SCREW, SELF TAP, HEX, WASH, STEEL, PLATED, 6-32 X 3/8          | 1           | JB1014          |
| 6               | ADAPTER, NOZZLE, BRASS, W/LEG, SUPPORT                         | 1           | JB1006          |
| 7               | WHIRLER, STEEL, PLATED, 6 VANE, 3-11/16 O.D.                   | 1           | JD1010          |
| 8               | NIPPLE, STEEL, SCH40, 1/8" NPT X 4" LONG                       | 1           | JB1004          |
| 9               | PLATE, STEEL, PLATED, DISC, SOLID, 3-3/8 O.D.                  | 1           | JB1009          |
| 10              | INSULATOR, ELECTRODE, CERAMIC, GLAZED, 4"                      | 2           | JB1015-01       |
| 11              | CONNECTOR, SPARK PLUG, RAJAH, 100734-002                       | 2           | JB1015-04       |
| 12              | SUPPORT, ELECTRODE, ALUMINUM                                   | 1           | JB1008          |
| 13              | CLAMP, ELECTRODE, STEEL, 13 GA. X .5 X 2.0                     | 1           | JB1011          |
| 14              | PLATE, BURNER, STEEL, 14 GA X 5.25 DIAMETER                    | 1           | JB1003          |
| 15              | NUT, WING, STEEL, FORGED, PLATED, 10-24                        | 3           | JD2186          |
| 16              | ELBOW, FEMALE, BRASS, 1/4-45 SAE X 1/8 NPTF                    | 1           | JB1018          |
| 17              | SCREW, SET, HEX, CUP POINT, NYLK, 1/4-20X1/4                   | 1           | JE 895          |
| 18              | COLLAR, STEEL, .875 O.D. X .437 I.D. X .437 LONG               | 1           | JB1005          |
| 19              | SCREW, MACHINE, HEX, WSHR, ST, PLATED, 10-24 X 5/16            | 1           | JB1013          |
| 20              | SCREW, SET, HEX, CUP POINT, 10-24 X 1/4                        | 1           | JB1012          |
| 21              | NUT, LOCK, FLANGE, HEX, ST, PL, #6-32                          | 2           | JB1015-03       |
| 22              | ELECTRODE, BENT RADIUS, TUNGSTEN                               | 2           | JB1015-02       |
| 23              | SCREW, SELFTAP, HEX WASH, ST, PL, 4-40 X 3/8                   | 1           | JB1016          |
| 24              | SCREW, MACHINE, PHILLIPS, ST, PL, FL, 8-32 X 3/8               | 1           | JB1017          |
| 25              | ELECTRODE, 4" CERAMIC, POINTED, BENT RADIUS                    | 2           | JB1015          |



| ITEM NO. | QTY. | DESCRIPTION                                    | PART NO.  |
|----------|------|--|-----------|
| 1        | 1    | VALVE, RELIEF, 3600-5000 PSI, 160F, 3/8 NPTM   | JD7048-B  |
| 2        | 1    | MANIFOLD, FITTINGS, STEEL, PLATED, ALL UNITS   | JP7716    |
| 3        | 2    | NIPPLE, HEX, STEEL, PLATED, 3/8NPT X 3/8NPT    | JD3716-01 |
| 4        | 1    | ACCUMULATOR, BLADDER, 3000#WP, 1500#CHARGER    | JD7646-J  |
| 5        | 1    | PLUG, HEAD, SQUARE, BRASS, 1/4NPT              | JD 679-02 |
| 6        | 1    | SWITCH, PSI, SP, ST, NO, 15A, 230V, 3/8NPTM    | JD3977    |
| 7        | 1    | TEE, STEEL, PLATED, 3/8 NPT, FEMALE            | JD3971    |
| 8        | 1    | VALVE, UNLOAD, PSI, ACT, 5100 PSI, 6.6 GPM     | JD3324-M  |
| 9        | 1    | BARB, HOSE, ELBOW, MALE, BRZ, 1/2"HS X 3/8"NPT | JD7991    |

FIGURE 1-3 (Manifold, Valve, Fitting, JD8205, Hpw3540, OEP, Ass'y)



| ITEM NO. | QTY. | DESCRIPTION  | PART NO.  |
|----------|------|--|-----------|
| 1        | 1    | TANK, FLOAT, BOLT-ON-ASSY,JB                       | JD8015    |
| 2        | 1    | PLUG, SOCKET, HEX, BRASS, 1/8 NPT                  | JD7243    |
| 3        | 1    | VALVE,FLOAT,BRASS,60PSI,1/2"NPTM                   | JD2988-B  |
| 4        | 1    | NUT, HEX, STEEL, PLATED, 1/4-20                    | JD 791    |
| 5        | 1    | ROD, FLOAT, BENT, BRASS, 1/4 X 5-5/8 LG X 1/4-20   | JD1416-02 |
| 6        | 1    | BALL, FLOAT, PLASTIC, BLACK                        | JD1416-01 |
| 7        | 2    | BARB, HOSE, ELBOW, MALE, BRASS, 1/2HS X 3/4NPT     | JD7058    |
| 8        | 1    | STRAINER, WATER, SS, 30MESH, 47/64 O.D. X 3-1/8 LG | JD3843-B  |
| 9        | 1    | BAFFLE,TANK,FLOAT,REMOVABLE                        | JP3385-08 |
| 10       | 1    | CONNECTOR,BR,3/4GARDEN HOSEX1/2NPTM,SWIV           | JD7142    |

FIGURE 1-4 (Tank, Float, Fitting, JD8245-P, Hpw 3540 OEP, Ass'y)

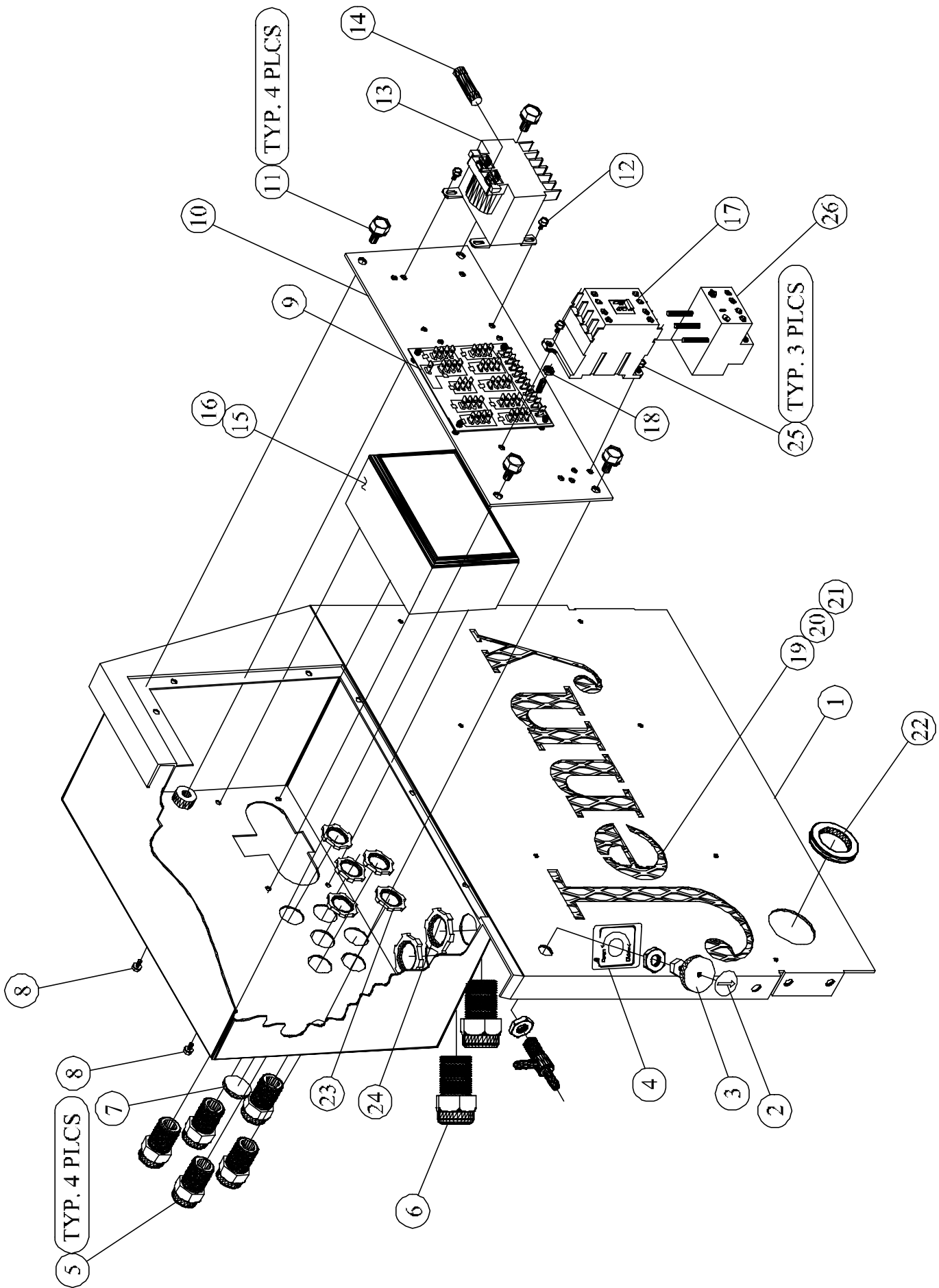
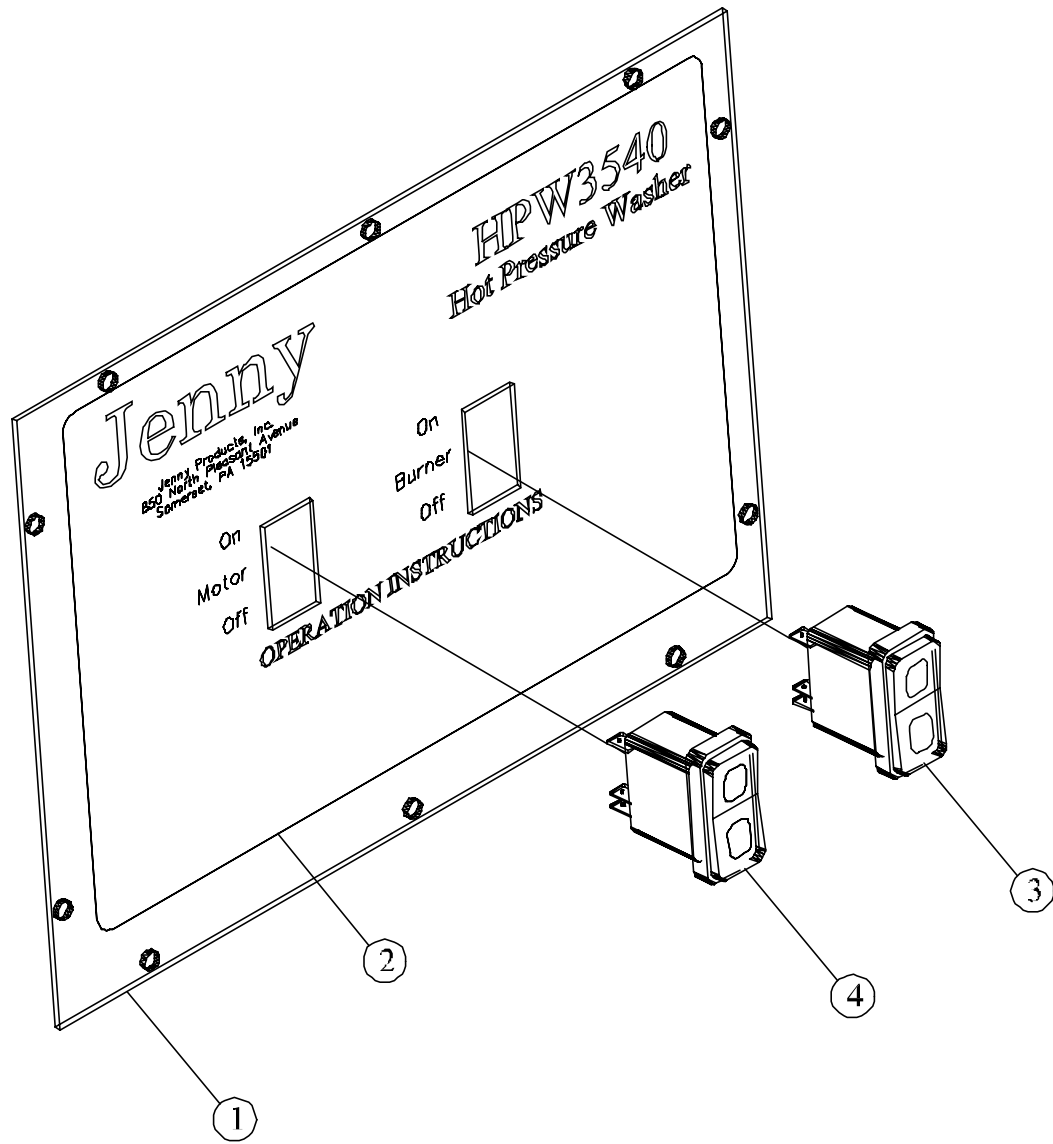


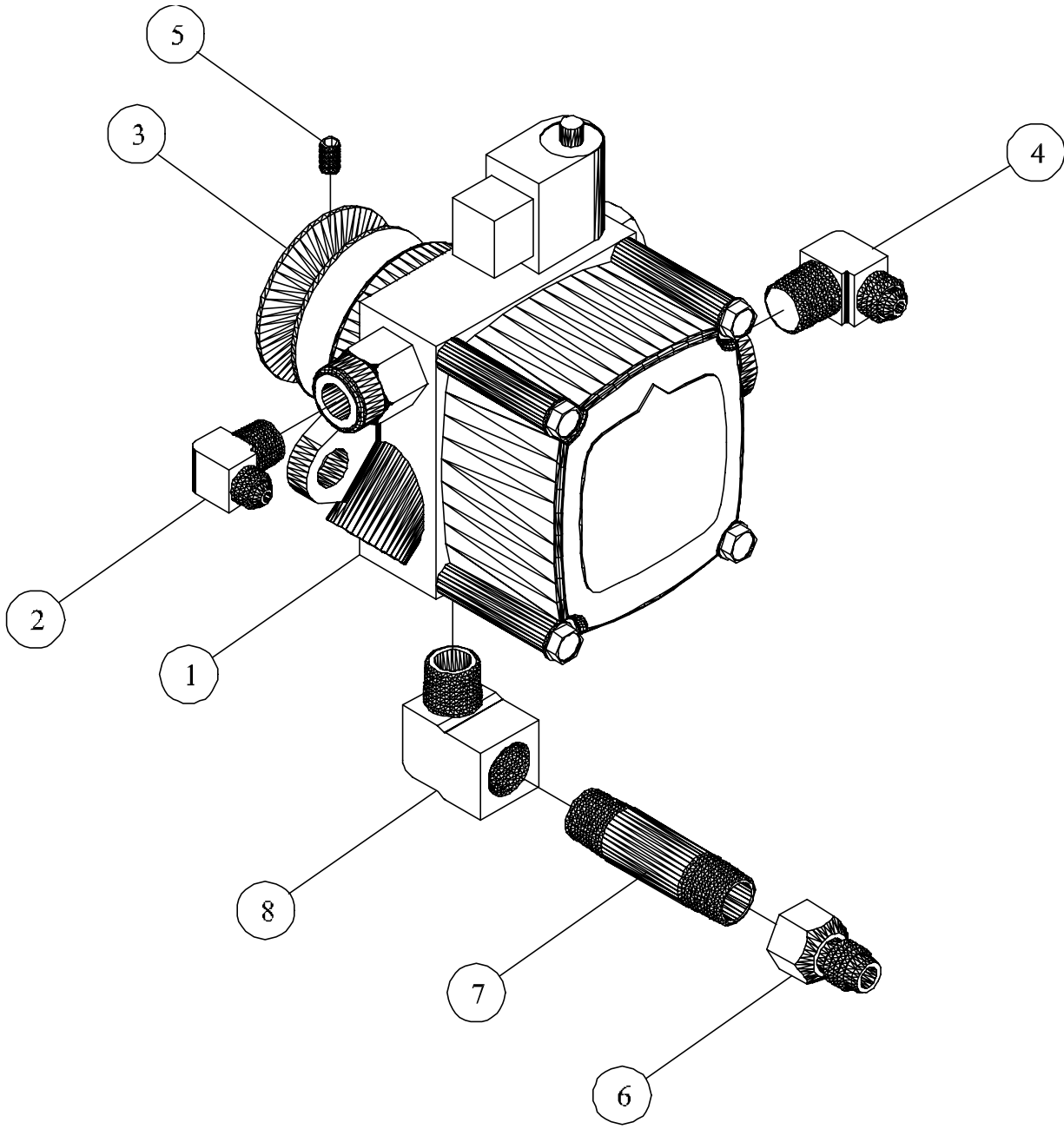
FIGURE 1-5 ( Box, Junction, Panel, Front, 230-575/ 3PH, 30A, JE2002, HPW3540 OEP, Assy)

| ITEM NO. | DESCRIPTION  | QTY. | PART NO.   |
|----------|--|------|------------|
| 1        | PANEL,CONTROL,BOX,JUNCTION,STEEL,PAINTED                     | 1    | JD8007     |
| 2        | DECAL,INDICATOR,HANDLE,VALVE,SOLUTION                        | 1    | JD7143     |
| 3        | VALVE,NEEDLE,SOLUTION,BRASS,1/4 IDHS-BARB                    | 1    | JD6248-A   |
| 4        | DECAL,SOLUTION,METERING,VALVE                                | 1    | JD7821     |
| 5        | CONNECTOR,RELIEF,STRAINER,1/4-3/8,1/2 NPTM                   | 1    | JD1687-06  |
| 6        | CONNECTOR,RELIEF,STRAINER,5/8-3/4,3/4 NPTM                   | 1    | JD1687-17  |
| 7        | PLUG,HOLE,PLASTIC,BLACK,7/8"                                 | 1    | JD3856     |
| 8        | SCREW,FLANGE,HEX,SERR,ST,PL,6-32 X 3/8                       | 4    | JD7900-A   |
| 9        | BOARD,CIRCUIT,PRINTED,ALL,MACHINE                            | 1    | JB5000     |
| 10       | PLATE,MOUNTING,PANEL,CONTROL,BOX,INCT,ST                     | 1    | JD8008     |
| 11       | SCREW,FLANGE,HEX,SERR,ST,PL,1/4-20 X 3/8                     | 4    | JD7904     |
| 12       | SCREW,FLANGE,HEX,SERR,ST,PL,8-32 X 3/8                       | 4    | JD7901-B   |
| 13-A     | TRANSFORMER,CONTROL,OPN,100VA,120-460 VP,24V (BEFORE 5-1-01) | 1    | JD2868     |
| 13-B     | TRNSFRMR,CTRL,OPN,100VA,600VP,24VS (AFTER 5-1-01)            | 1    | JD3987-13  |
| 14       | FUSE,ELEMENT,DUAL,DELAY,TIME,250V,6AMP                       | 1    | JD3107-11  |
| 15       | TRANSFORMER,IGNITION,24V,PRIM,18000V,SEC                     | 1    | JB1502     |
| 16       | PLATE,NAME,ALUM,TRANSFORMER,IGNITION,24V                     | 1    | JB1502-01  |
| 17-A     | CONTACTOR,DP,OP,3P,30A,24V,W/ AUX CONTACT (BEFORE 5-1-01)    | 1    | JD7651-B   |
| 17-B     | STARTER,DP,OP,3P,50A,24V,CA7-SERIES (AFTER 5-1-01)           | 1    | JD7651-V   |
| 18       | NUT,HEX,STEEL,PLATED,10-32                                   | 1    | JD 781     |
| 19       | SCREEN,COVER,MACHINE,STEEL,PAINTED                           | 1    | JP7720-01  |
| 20       | WASHER,FLAT,SS,7/8 O.D X 5/32 I.D. X 20 GA                   | 8    | JP7720- 03 |
| 21       | RIVET,AL,.160-.164 HOLE,.063-.125 GRP,5/32                   | 8    | JP7720-02  |
| 22       | GROMMET,RUBBER,BLACK,1-1/2 I.D.                              | 1    | JP 675     |
| 23       | NUT,LOCK,CONDUIT,STEEL,PLATED,1/2'                           | 5    | JP 809     |
| 24       | NUT,LOCK,CONDUIT,STEEL,PLATED,3/4'                           | 2    | JD7728     |
| 25       | SCREW,FLANGE,HEX,SERR,ST,PL,8-32x5/8                         | 2    | JD7901-D   |
| 26-A     | RELAY,OVERLOAD,THERMAL,PLUG-IN,24-32AMPS (BEFORE 5-1-01)     | 1    | JD7651-15  |
| 26-B     | RELAY,OVERLOAD,THERMAL,PLUG-IN,13-19AMPS (BEFORE 5-1-01)     | 1    | JD7651-13  |
| 26-C     | RELAY,OVERLOAD,THERMAL,PLUG IN,7.5-11AMP (BEFORE 5-1-01)     | 1    | JD7651-11  |
| 26-D     | RELAY,OVERLOAD,THERMAL,PLUG-IN,18-30A (AFTER 5-1-01)         | 1    | JD7651-36  |
| 26-E     | RELAY,OVERLOAD,THERMAL,PLUG-IN,10-16A (AFTER 5-1-01)         | 1    | JD7651-34  |



| ITEM NO. | QTY. | DESCRIPTION                                    | PART NO. |
|----------|------|--|----------|
| 1        | 1    | PLATE, COVER, PANEL, CONTROL, BOX, JUNC. HPW   | JD8009   |
| 2        | 1    | DECAL, PANEL, INSTRUCTION, HPW 3540, OEP & GES | JD8408   |
| 3        | 1    | SWITCH, ROCKER, SP, ST, 10A, 24V, LED, LIGHT   | JE1004   |
| 4        | 1    | SWITCH, ROCKER, DP, DT, OFF-ON-MOM, 10A, 24V   | JE1006   |

FIGURE 1-6 (Panel, Instruction, Hpw3540, OEP, Ass'y)



| ITEM NO. | QTY. | DESCRIPTION                                      | PART NO.  |
|----------|------|--|-----------|
| 1        | 1    | PUMP, OIL, FUEL, SNGLSTGE, 3GPM, 3450RPM, 24V    | JD3306-F  |
| 2        | 1    | ELBOW, MALE, BRASS, 1/4-45 SAE X 1/8 NPT         | JD 651    |
| 3        | 1    | PULLEY, CRS, SG, 1-3/4" OD X 5/16" ID (3L BELT)  | JD3233-03 |
| 4        | 1    | ELBOW, MALE, BRASS, 1/4-45 SAE X 1/4 NPT         | JD 652    |
| 5        | 1    | SCREW, SET, HEX, SOC, CUP, PNT, NYLK, 8-32X3/16  | JD3241    |
| 6        | 1    | CONNECTOR, FEMALE, BRASS, 1/4"-45° SAE X 1/4.NPT | JD2391    |
| 7        | 1    | NIPPLE, BRASS, 1/4 NPT X 2 LONG                  | JD 745-01 |
| 8        | 1    | ELBOW, STREET, BRASS, 1/4 NPT                    | JD 670    |

FIGURE 1-7 (PUMP, FUEL, JENNY-BURNER, JP7738, HPW 3540 OEP, ASSY)

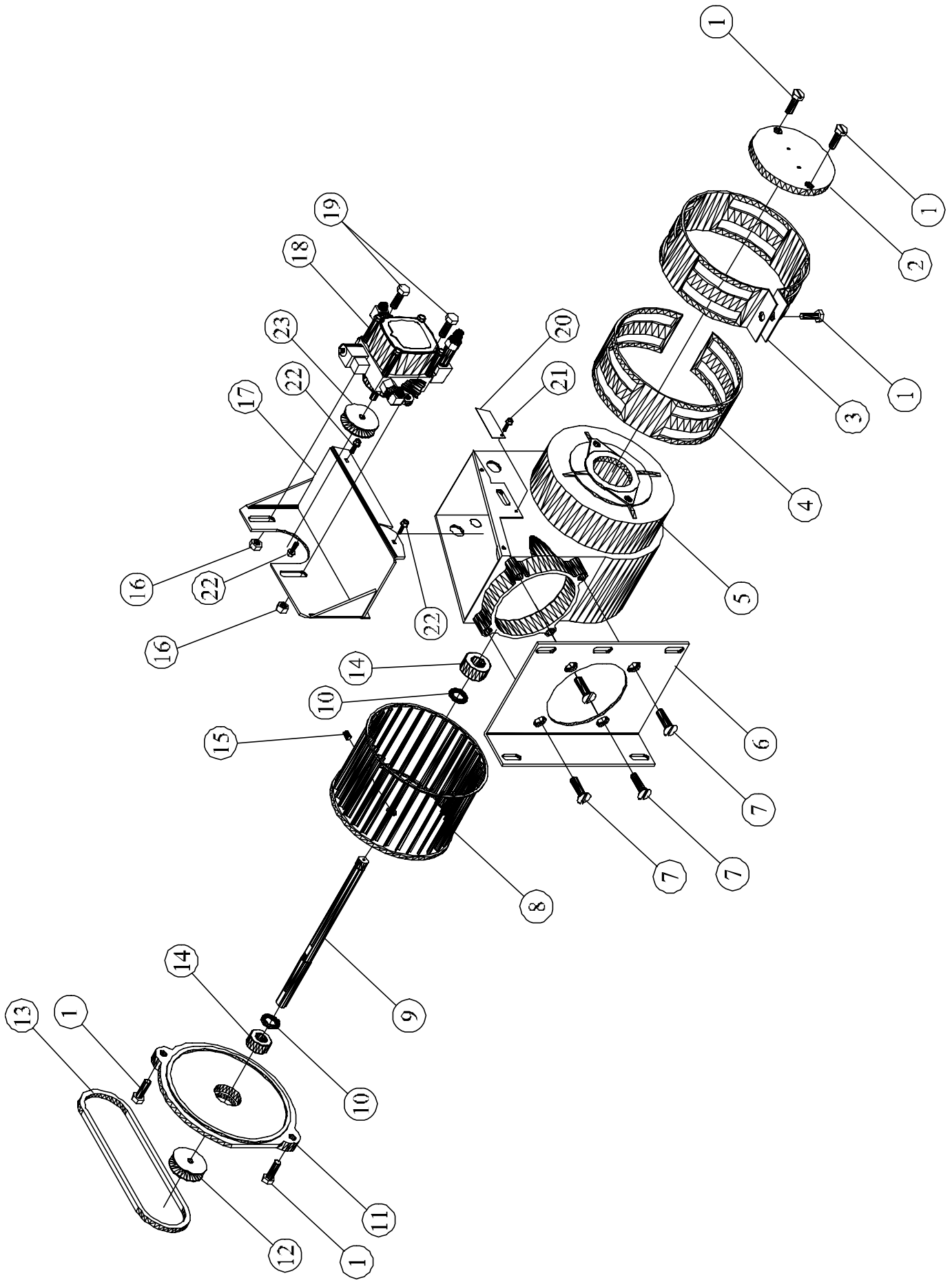
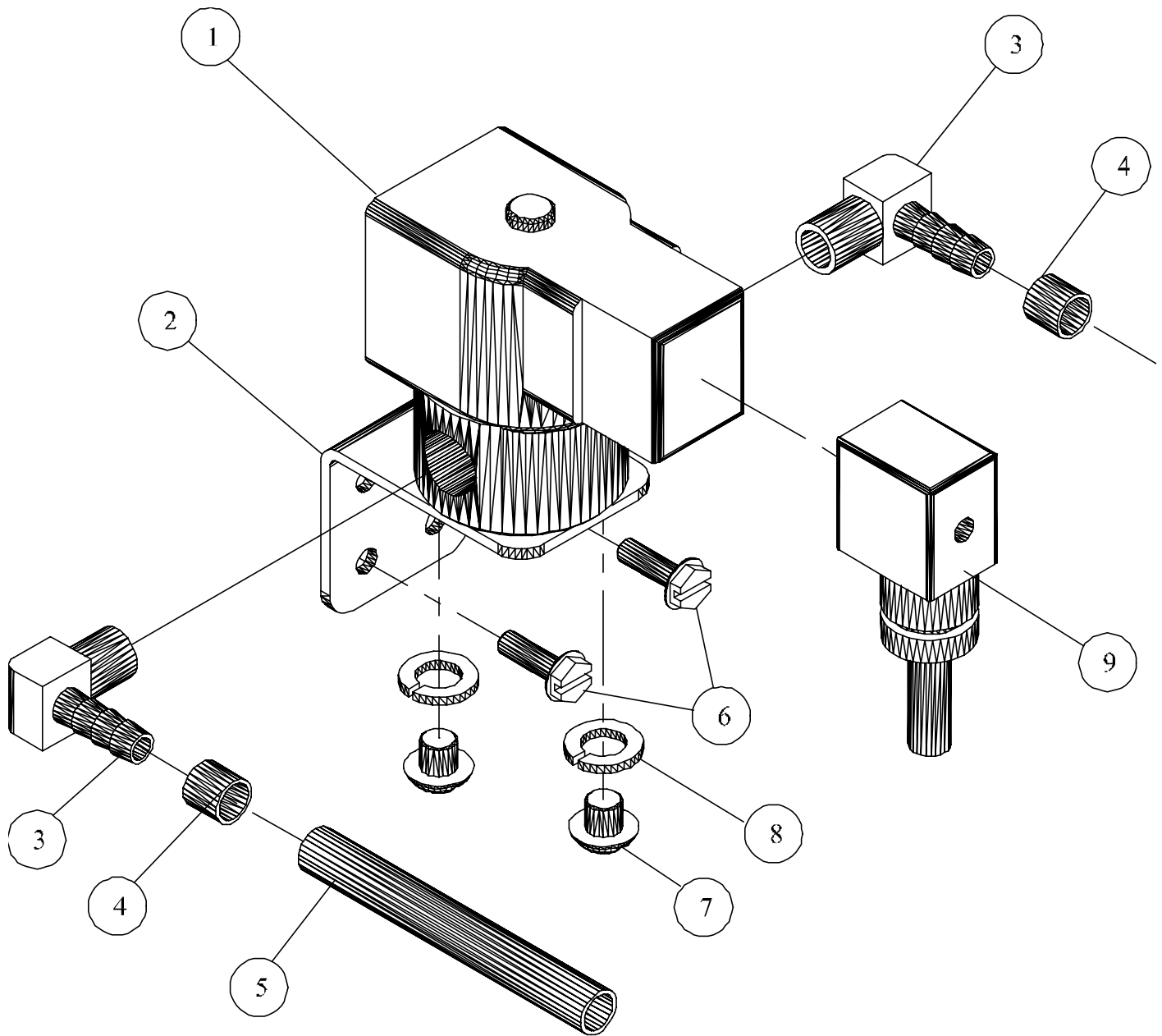


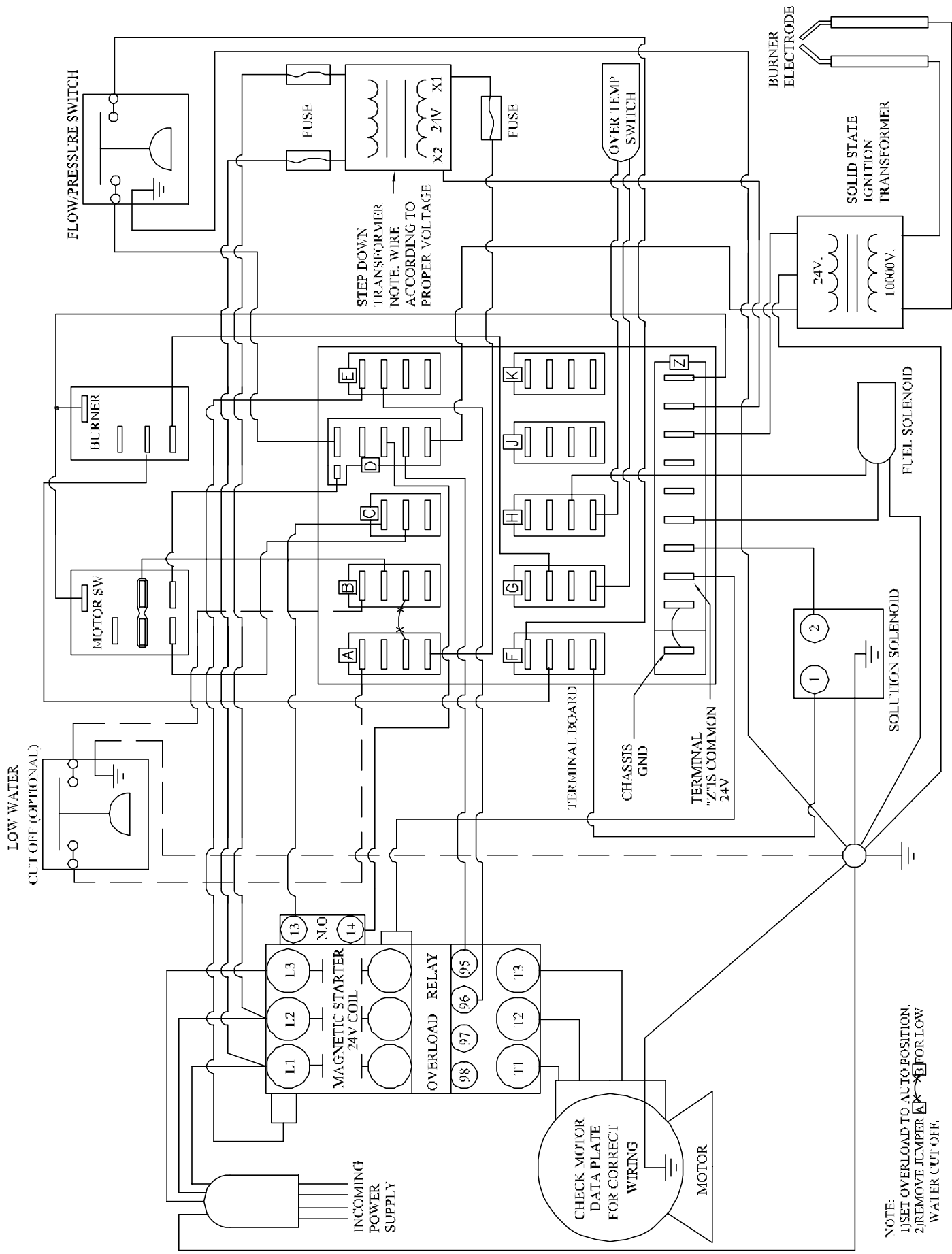
FIGURE 1-8 (HPW3540, Oep, Blower, Air, JB2000, 6" OD X 4" W X 1/2" Shaft, Assy)

| ITEM NO. | DESCRIPTION  | QTY. | PART NO.  |
|----------|--|------|-----------|
| 1        | SCREW, MACHINE, HEX, SERR, ST, PL, 5/16-18 X 7/8             | 5    | JB2012    |
| 2        | RETAINER, BEARING, ALUMINUM, BAND, AIR                       | 1    | JB2006    |
| 3        | BAND, AIR, OUTER, STEEL, PLATED, 8 HOLE                      | 1    | JB2003    |
| 4        | BAND, AIR, INNER, STEEL, PLATED, 7 HOLE                      | 1    | JB2002    |
| 5        | HOUSING, BLOWER, ALUMINUM, 6.25OD X 4.0 WHEEL                | 1    | JB2001    |
| 6        | PLATE, MOUNTING, ST, PLATED, ADAPTER, CHASSIS                | 1    | JB2010    |
| 7        | SCREW, MACHINE, UNDERCUT, SLT, FLT, 5/16-18 X 5/8            | 4    | JB2013    |
| 8        | WHEEL, BLOWER, ST, 6.25 OD X 4.0W 1/2" SHAFT                 | 1    | JB2007    |
| 9        | SHAFT, BLOWER, STEEL, 0.50 DIA. X 9.562 LONG                 | 1    | JB2008    |
| 10       | RING, RETAINER, EXTERIOR, STEEL, 1/2                         | 2    | JB2015    |
| 11       | FLANGE, ALUMINUM, RETAINER, BEARING, N - FLANGE              | 1    | JB2009    |
| 12       | PULLEY, CRS, SG, 1-3/4 OD X 1/2 ID (3L BELT)                 | 1    | JD3233-04 |
| 13       | BELT, VEE, FHP, 3L230  | 1    | JD3509    |
| 14       | BEARING, BALL, 1.375OD X .500 ID X .437 WIDE (LOCK-TIGHT ON) | 2    | JB2011    |
| 15       | SCREW, SET, HEX-SKT, KNURL-PNT, 5/16-24 X 3/8L               | 1    | JB2017    |
| 16       | NUT, LOCK, FLANGE, HEX, SERR, ST, PL, 5/16-18                | 2    | JD7774-E  |
| 17       | PLATE, MOUNTING, PUMP, FUEL, STEEL, PAINTED                  | 1    | JB2005    |
| 18       | ASSY SEE 1-7 PUMP, FUEL, ASSY, JENNY-BURNER                  | 1    | JP7738    |
| 19       | SCREW, FLANGE, HEX, SERR, ST, PL, 5/16-18 X 3/4              | 2    | JD7905-B  |
| 20       | PLATE, COVER, SLOT, STEEL, PLATED, 18GA X 1 X 2.5            | 1    | JB2004    |
| 21       | SCREW, SELFTAP, HEX, SERRATED, FLT, 10-24 X 3/8              | 1    | JB2014    |
| 22       | SCREW, SLF DRL, HEX, WASHER, PLATED #10 X 5/8                | 3    | JD7074-A  |
| 23       | PULLEY, CRS, SG, 1-3/4"ODX5/16"ID (3L BELT)                  | 1    | JD3233-03 |



| ITEM NO. | QTY. | DESCRIPTION                                     | PART NO. |
|----------|------|---|----------|
| 1        | 1    | VALVE, SOLENOID, SOLUTION, 12V, 1/4NPT          | JD2162-F |
| 2        | 1    | BRACKET, MOUNTING, SOLUTION, SOLENOID           | JD7760   |
| 3        | 2    | BARB, HOSE, ELBOW, MALE, BRASS, 1/4HS X 1/4 NPT | JD7078   |
| 4        | 2    | CLAMP, SLEEVE, PLASTIC, 3/8 I.D.                | JD2759   |
| 5        | 1    | TUBING, PVC, CLEAR, 3/8 O.D. X 1/4 I.D.         | JD3087   |
| 6        | 2    | SCREW, SLF, DRL, HEX WASHER, PLTD, #10 X 5/8    | JD7074-A |
| 7        | 2    | SCREW, MACHINE, PHILLIPS, ST, PL, 10-32 X 3/8   | JD3234   |
| 8        | 2    | WASHER, LOCK, SPLIT, STEEL, PLATED, #10         | JD624    |
| 9        | 1    | CONNECTOR, SOLENOID, RELIEF, STRAIN, DIN        | JD7703   |

FIGURE 20-1 (VALVE, SOLUTION, SOLENOID, JD2162-F, ASSY)



(Electrical Schematic Diagram) Oil Fired, Hot Pressure Washer/ Steam Cleaner W/ Mom-On, 3 PH. File Name: JW 104