

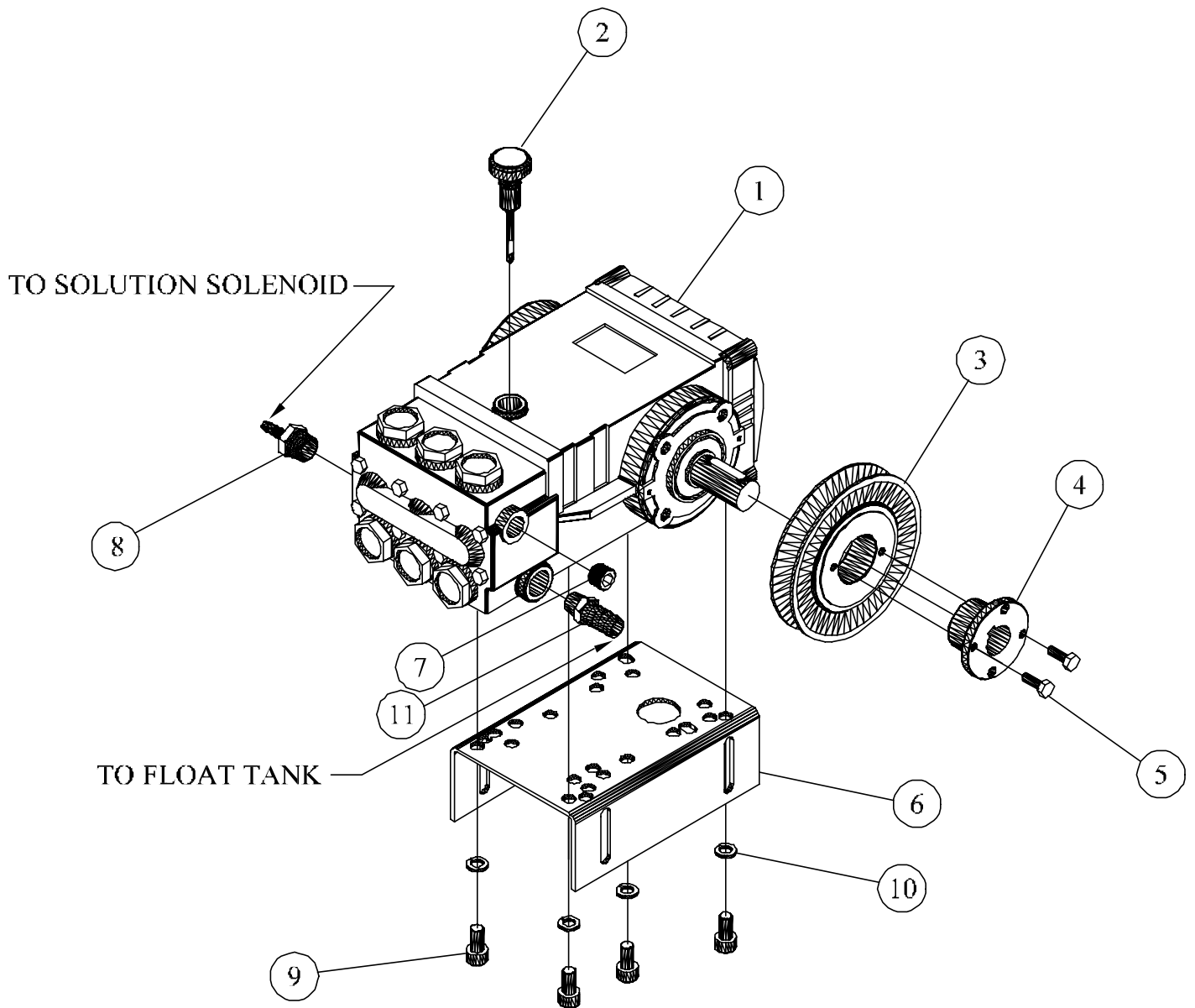
JENNY PRODUCTS INC.

SI 300, GES 115-230 60V/1PH, N/C, LWC, ELECT-IGN

SJ 300, GES, N/C, LWC			
115-230/60V/1PH,			
PARTS LIST			
Notes: Figure 20-(Common Parts)			
Electrical Dia. File:w/1PH Jw 308			
w/ 3PH Jw 306			
ITEM NO.	DESCRIPTION	QTY.	PART NO.
1	CHASSIS, MODULE, MOTOR-PUMP, GES, GES, LES	1	JD8500
2	CHASSIS, MODULE, COIL, STL, PAINTED, SIZE-D	1	JD8503
3	CASING, COIL, ASSY, 3100, GES, GESR	1	JP5606-A
4	LEGS, STATIONARY, STEEL, PAINTED, GES	4	JD8507
5	LEG, ADJUSTABLE, FRONT, STEEL, PAINTED, GES	1	JD8508
6	LEG, ADJUSTABLE, REAR, STEEL, PAINTED, GES	1	JD8509
7	PANEL, SUPPORT, COVER, REAR, STEEL, PNID, GES	1	JD8510
8	PANEL, SIDE, MODULE, CHASSIS, MTR-PMP, ST, GES	1	JD8515
9	BRACKET, SUPPORT, BURNER, ST, SIZE-D	1	JD8519
10-A ASSY SEE FIG 1-4A	CONTROL, INLET, BURNER, ASSY, HPW1880, GES	1	JD7881
10-B ASSY SEE FIG 1-4B	CONTROL, INLET, BURNER, ASSY, HPW1880, LES	1	JD7886
11	COVER, SS, ASSY, NEW, GES	1	JD8523
12	MOLDING, RUBBER, FOAM, ADHESIVE, 1/2WX1/8T	1	JD3782-B
13	SCREW, PHILLIPS, HEAD, "N", COVER	10	JP7733
14	RETAINER, SCREW, PHILLIPS, HEAD, "N"	10	JP7733-02
15	SHIELD, HEAT, BURNER, ST, PAINTED, SIZE-D	1	JD8522
16	INSULATION, CERAMIC, 44" X 88" X 1" THK	1	JD3086
17	WASHER, STRAINER, MESH, WIRE, BRASS, #30	2	JD 809
18 ASSY SEE FIG 1-6	TANK, FLOAT, ASSY, W/FITTINGS, SJ 300	1	JD8245-R
19	BAFFLE, TANK, FLOAT, REMOVABLE	1	JP3385-08
20	ADAPTER, EXPANDING, BRASS, 1/2MX1/2F	1	JD6224-04
21	NIPPLE, BRASS, 1/2NPTX3LONG	1	JD3094-02
22	ELBOW, FEMALE, BRASS, FORGED, 1/2NPT	1	JD 692-02
23	CONNECTOR, BRASS, 3/4 GARDEN HOSE X 1/2NPTM, SWIV	1	JD7142
24-A	MTR, 2HP, 115-230/60/1, 1725RPM, TEFC, F2, C-F	1	JB3006-D
24-B	MOTOR, 1.5HP, 230-460/60/3, 1725RPM, TEFC, F2	1	JB3007
24-C	MOTOR, 1.5HP, 575/60/3, 1725RPM, TEFC, F2	1	JB3008
25	PULLEY, CL, SG, TH, BK4/H, 37/PDA, 4.1PDB	1	JD3904-42
26	BUSHING, PULLEY, TAPERED, 5/8" BORE	1	JD3915-01
27	CONNECTOR, RELIEF, STRAIN, 1/4-3/8, 1/2NPTM	1	JD1687-06
*28-A	WIRE, SO, CPE, BLACK, 14/4 3PH	2	JE 442
*28-B	WIRE, SJO, CPE, BLACK, 12/3 1PH	1	JE 432
29	TUBING, PVC, REINFORCED, 3/8" ID	4'	JD7575
30	PLATE, NAME, ALUM, PRINT, BLACK, 4X4	1	JD3456
31	HOSE, COMBINATION, JENNY, 3/8X50'	1	JD7624
32 ASSY SEE FIG. 20-2	SWITCH, PRESSURE, W/BRACKET, WELDED	1	JP7731
33 ASSY SEE FIG 1-3	MANIFOLD, FITTINGS, VALVE, ASSY, SJ70, GES	1	JD8220
34	BELT, VEE, COG, AX42	1	JD3950
35 ASSY SEE FIG. 20-1	VALVE, SOLENOID, SOLUTION, 24V, 1/4NPT	1	JD2162-F
36	CLAMP, SLEEVE, PLASTIC, 3/8 I.D.	4	JD2759
37	HOSE, HYD, 3K PSI, 31"L, 3/8NPTM, 90D-3/8NPTM	1	JD7893
38	RECEPTICAL, CLIP-ON, STEEL, DACROTTIZED	10	JP7733-01
39 ASSY SEE FIG 1-8	NOZZLE, STEAM & FAN COMBINATION, FITTINGS, SJ120	1	
40 ASSY SEE FIG 1-7	GUN, SCH80, N/C, W/O, SWIVEL, ASSY, 3/8", COMB	1	JP4261-H

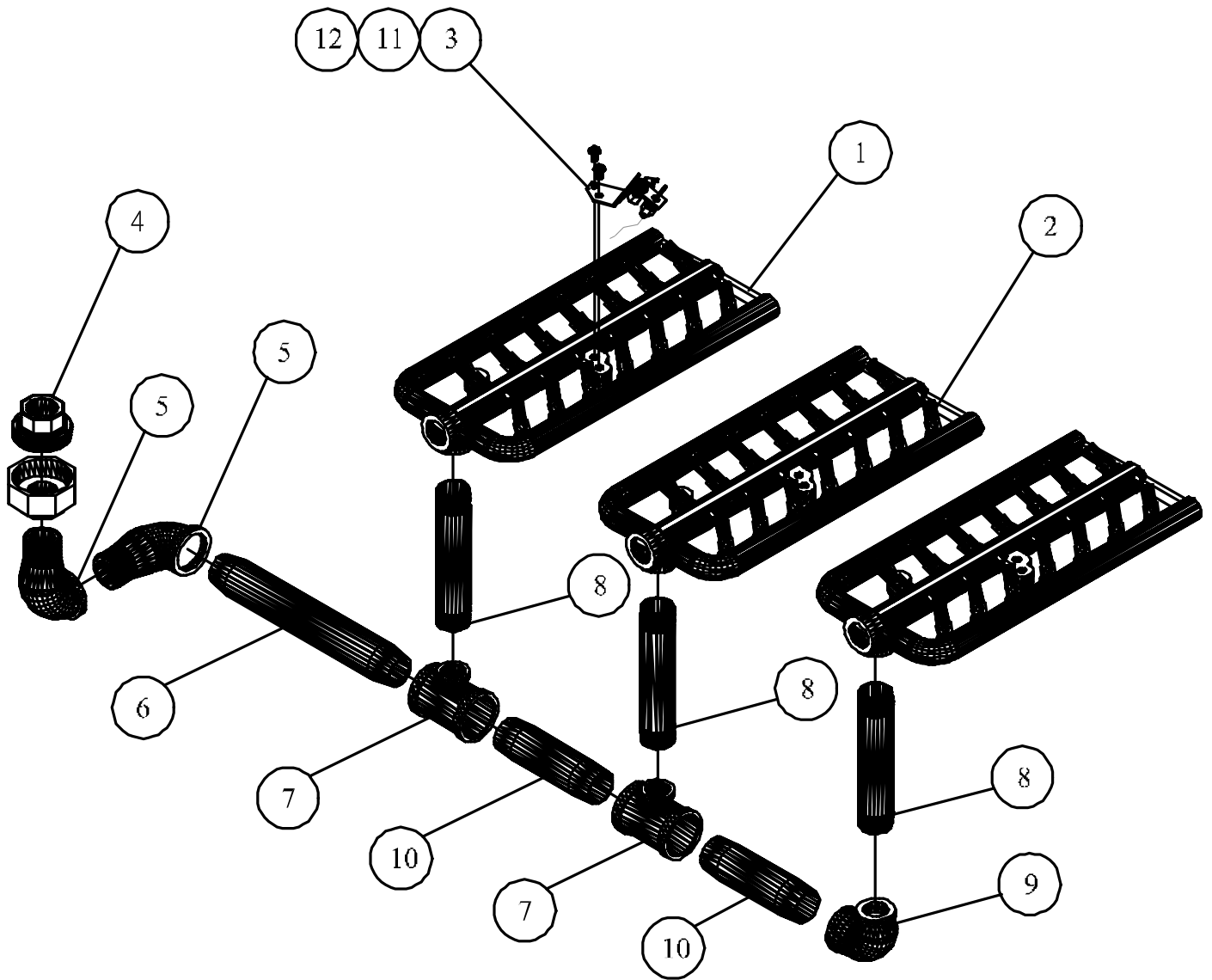
41 ASSY SEE FIG 1-1	PUMP, MOUNTING & FITTINGS, ASSY, 300 GPH, GES	1	JD8324
42-A ASSY SEE FIG 1-2	MANIFOLD, BURNER, ASSY, HPW1510, GES	1	JD7880
42-B ASSY SEE FIG 1-2	MANIFOLD, BURNER, ASSY, HPW1510, LES	1	JD7885
43	J-BOLT, 3/8-16X4	2	JP7182
44-A ASSY SEE FIG 1-5	BOX, JCT, PANEL, FRONT, 115-230/1PH, 30A, GAS	1	JE2003
44-B ASSY SEE FIG 1-5	BOX, JCT, PANEL, FRONT, 230-575/3PH, 30A, GAS, 1-3 HP	1	JE2005-A
45 ASSY SEE FIG 1-9	PLATE, COVER, PANEL, CONT, BOX, HPW, GES	1	JD8513
46	HOSE, HYD, 3K PSI, 78" L, 3/8NPTM, 3/8NPTM	1	JD7981
47	WASHER, FLAT, SS, 3/4 OD X 5/32 ID X 20 GAUGE	8	JP7720-03
48	SCREEN, COVER, MACHINE, ST, PAINTED	1	JP7720-01
49	RIVET, AL, .160-.164 HOLE, .063-.125 GRP, 5/32	8	JP7720-02
50-A	CORD, DROP, GFCL, 120V, 20A, 40FT	1	JD179-B
50-B	CORD, DROP, GFCL, 240V, 15A, 40FT	1	JD179-L
51	TAG, WARNING, WATER TRAP, GAS FIRED UNIT	1	JD7207
52	TAG, WARNING, GAS PRESSURE	1	JD3097
53	COIL, GAS, FIRED, 1/2" PIPE, SCH40, 3100	1	JP5608
54	TEE, FEMALE, STEEL, PLATED, 1/2NPT	1	JD3734-01
55	BUSHING, REDUCER, HEX, STEEL, PLATED, 1/2X3/8	2	JD2599
56	ELBOW, FEMALE, STEEL, PLATED, 1/2NPT	1	JD692
57	PLUG, FUSIBLE, ASSY, 340 DEGREE F	1	JP3921-C
58	RING, CASING, COIL, SS, 28-1/2 ODX 11-15/16 ID	1	JD3072
59	LUG, TERMINAL, COPPER, 3/16 BOLT, 6-14 GAUGE	1	JD6152
60	CLAMP, GEAR, WORM, SS, 7/16 TO 25/32" DIA	2	JD3068
61	GROMMET, RUBBER, BLACK, 5/8" I.D.	2	JD3385
62	GROMMET, RUBBER, BLACK, 7/16" I.D.	6	JD3385-01
63	TUBING, PVC, REINFORCED, 1/4ID	1	JD7850
64	GROMMET, RUBBER, BLACK, 1-1/2" I.D.	3	JP675
65	STRAINER, CHEMICAL, BRASS, 1/4" HOSE BARB	1	JD7140-A
66	TUBING, PVC, CLEAR, 3/8 ODX 1/4ID	7.1	JD3087
67	SCREW, FLANGE, HEX, SERR, ST, PL, 1/4-20X1/2	26	JD7904-A
68	BOLT, ELEVATOR, STEEL, PLTD, 3/8X2-1/2, 1" HD	2	JD7906-G
69	SCREW, SLF TAP, PHILLIPS, ST, PL, 8-32X3/8	12	JD3043
70	SCREW, FLANGE, HEX, SERR, ST, PL, 5/16-18X1/2	2	JD7905
71	SCREW, FLANGE, HEX, SERR, ST, PL, 3/8-16X3/4	35	JD7906-A
72	NUT, LOCK, FLANGE, HEX, SERR, ST, PL, 3/8-16	10	JD7774-F
73	SCREW, CAP, HEX HD, ST, PL, FLT, 3/8-16X2-1/4"	2	JD7035
74	NUT, LOCK, FLANGE, HEX, SERR, ST, PL, 1/4-20	8	JD7774-D
75	CLAMP, HOSE, NYLON, BLACK, 750/875 DIA	2	JD7859-G
76	SCREW, SLF DRL, PHILLIP, ST, PLTD, #8X1/2	4	JD6050
77	SCREW, SLF DRL, HEX WASHER, PLTD, #10x5/8	10	JD7074-A
78	SCREW, CARRIAGE, GR5, ST, PL, 3/8X6	2	JD7798
79	NIPPLE, STEEL, SCH80, 1/2NPTX27-1/2LONG	1	JD3111
80	BRACKET, OUTLET, COIL, GES	1	JP5413-06
81	HOSE, RUBBER, GARDEN, 5/8	1.6'	JL146
82	ELBOW, REDUCER, STL, PLATED, 90DEG, FEM, 1/2 X 3/8	1	JD7847
83	COVER, ACCESS, CASING, COIL, GES, 1600-4800	1	JP5314-01
84	NUT, SPEED, TINNEMAN, 1/4-20	2	JD7042
85	SCREW, THUMB, STL, PLTD, W/SHLDR, 1/4-20X1/2	2	JD1433
86	WASHER, FLAT, SERIES "N", STEEL, PLATED, 1/2	4	JD7028
87	WASHER, LOCK, SPLIT, STEEL, PLATED, 1/2"	4	JD615

88	SCREW, CAP, HEX HD, ST, PL, 1/2-13X1"	4	JD1165
89	DECAL, NUMBER, MODEL, SJ 300,BLUE,LARGE	1	JD8487
90	SCREW,FLANGE,HEX,SERR,ST,PL,5/16-18X3/4	4	JD7905-B
91	NUT,LOCK,FLANGE,HEX,SERR,ST,PL,5/16-18	4	JD7774-E
NOT SHOWN	TAG, WARNING, ELECTRIC CORD	1	JD7075
NOT SHOWN	DECAL, CAUTION, FUSIBLE PLUG, 2X3-1/2, LEXAN	1	JD2858
NOT SHOWN	DECAL, WARNING, VALVE, TURN-OFF		JD6155-A
NOT SHOWN	TERMINAL, TONGUE, RING, 3/16HOLE, 18-22GAUGE	1	JD 928
NOT SHOWN	TERMINAL, TONGUE, FORK, #6HOLE, 14-18GAWIRE	2	JD2347
NOT SHOWN	TERMINAL, CONNECT, QUICK, FEM, 0.250, 14/16GA	10	JD1576-01
NOT SHOWN	TERMINAL, CONNECT, QUICK, PIGGY, FEM, 14-16GA	2	JD1576-06
NOT SHOWN	DIVERTER, DRAFT, VERTICAL, 10"	1	JD3018
NOT SHOWN	DECAL, DANGER, WARNING, CAUTION, LARGE	1	JD7239
NOT SHOWN	DECAL, NOTICE, GROUND, 4MILTHK, 5 YR WHITE	1	JD2344-01
NOT SHOWN	DECAL, PACKED, GROOMED, TESTED	1	JD6013
NOT SHOWN	DECAL, MADE-IN-THE-USA, JENNY	1	JD6211



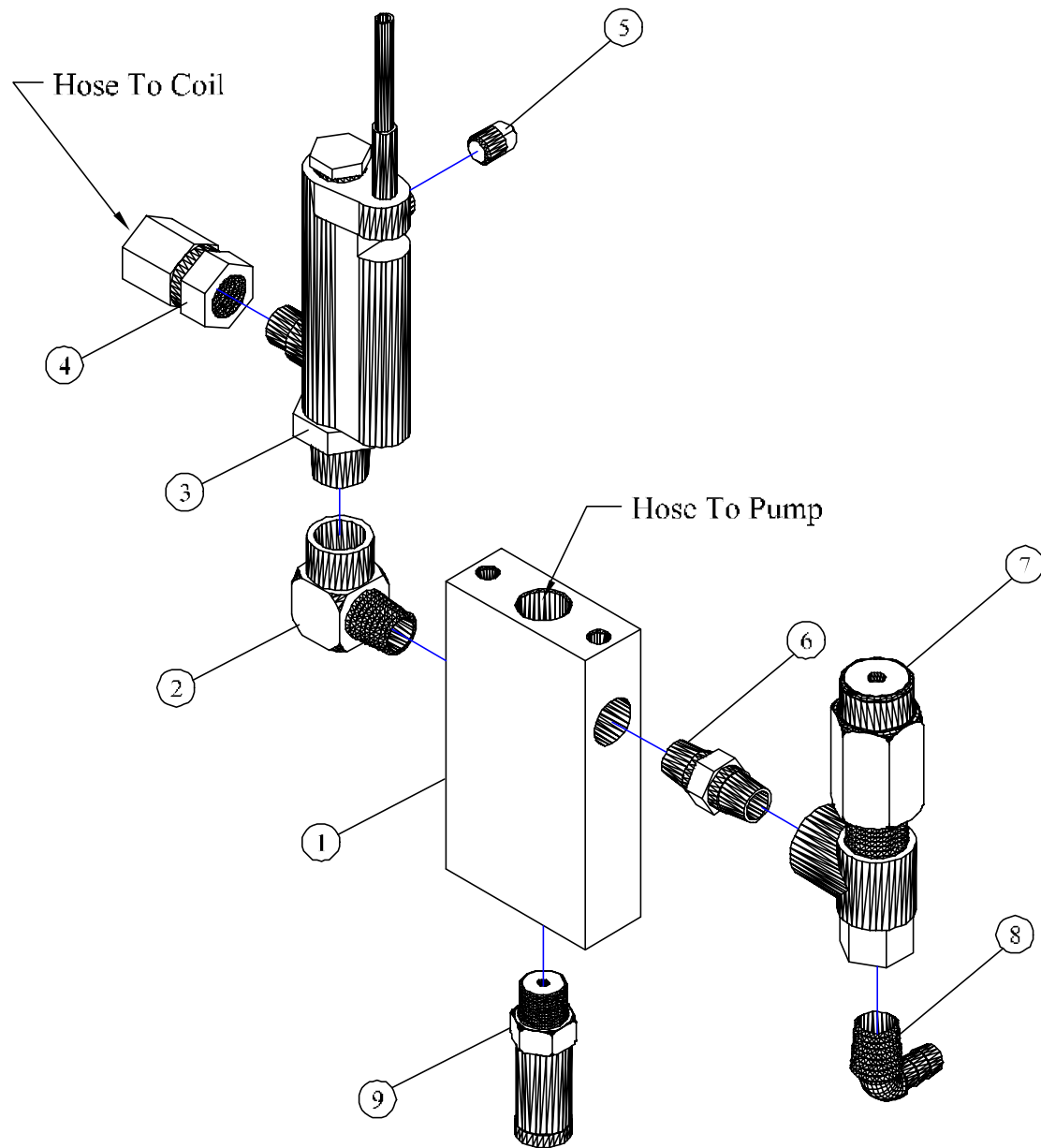
ITEM NO.	QTY.	DESCRIPTION	PART NO.
1	1	PUMP, PLUNGER, TRIPLEX, 3000PSI, 5.6GPM, GEN	JD7063
2	1	OIL, DIP, STICK, (RECEIVED W/PUMP)	
3	1	PULLEY, CI, SG, TH, AK54H, 5.0PDA, 4.66PD3L	JD3904-03
4	1	BUSHING, PULLEY, TAPERED, 24MM BORE	JD3915
5	2	H.H.B. 1/4-20 UNC-3/4 CLASS 5 RECEIVED W/ BUSHING	
6	1	PLATE, MOUNTING, PUMP, STEEL, PAINTED, JB	JD8016
7	1	PLUG, SOCKET, HEX, BRASS, 3/8 NPT	JD7151
8	1	BARB,HOSE,MALE,BR,1/4HSX1/2NPTM	JD7826
9	4	METRIC, M-10 X 18, RECEIVED W/ PUMP	
10	4	WASHER, LOCK, 3/8	JD 613
11	1	BARB,HOSE,MALE,BRASS,5/8HSX1/2NPT	JD7877

FIGURE 1-1 (Pump, Mounting, Fitting, JD8324, SJ 300 GES, Ass'y)



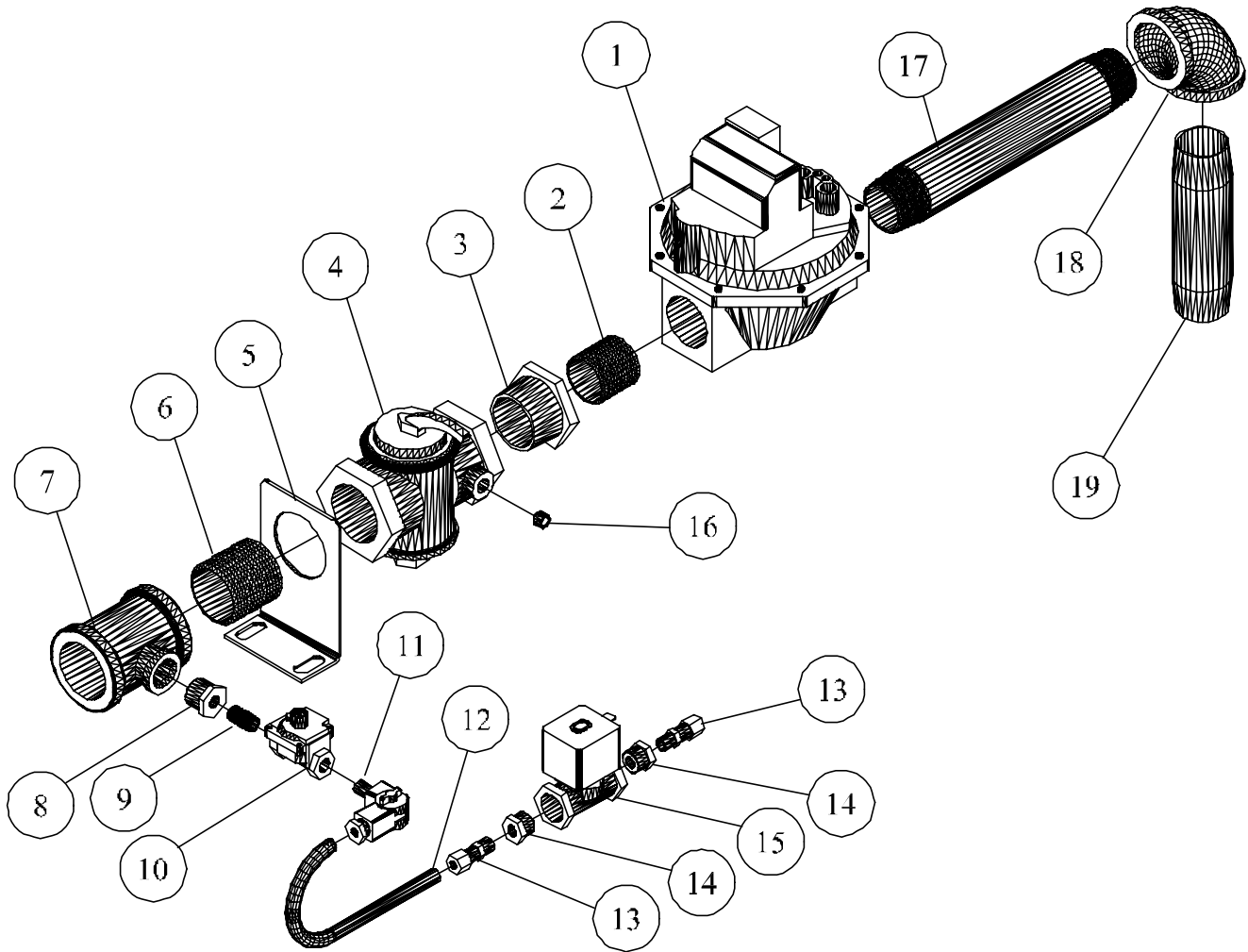
ITEM NO.	QTY.	DESCRIPTION	PART NO.
1-A	3	BURNER, NAT, #640 JETS, 0#48, U-29	JD3128-B
1-B	3	BURNER, LP, #640 JETS, 0#56, U-29	JD3229
2-A	84	JET, BURNER, GAS, NATURAL #48	JD3129-A
2-B	84	JET, BURNER, GAS, LP, BRASS #56, .047	JD2360
3-A	1	PILOT, BURNER, NAT, Q314B1019	JD2359-01
3-B	1	PILOT, BURNER, LP, Q314B1019	JD2359-02
4	1	UNION, FEMALE, MI, 150#, BRZ-IR SEAT, 1-1/4	JD1294
5	2	ELBOW, STREET, MI, 150#, 1-1/4 NPT	JD1013
6	1	NIPPLE, STEEL, SCH40, 1-1/4NPTX9LONG	JD3466
7	2	TEE, FEMALE, MI, 150#,1-1/4 X1-1/4 X3/4	JD1274
8	3	NIPPLE, STEEL, SCH 40, 3/4NPT X 5 LONG	JD1219
9	1	ELBOW, FEMALE, MI, 1-1/4 NPT X 3/4 NPT	JD 993
10	2	NIPPLE, STEEL , SCH 40, 1-1/4 NPT X 5-1/2 LONG	JD3074
11	1	SENSOR, IGNITOR, W/MT-BRKT&HDWARE, 60"LEAD	JP7694-D
12	1	BRACKET,MOUNTING,PILOT, U-29, BURNER	JD8528

FIGURE 1-2 (Burner, Gas, Nat. JD7880, LP JD7885, SJ 300 GES, Ass'y)



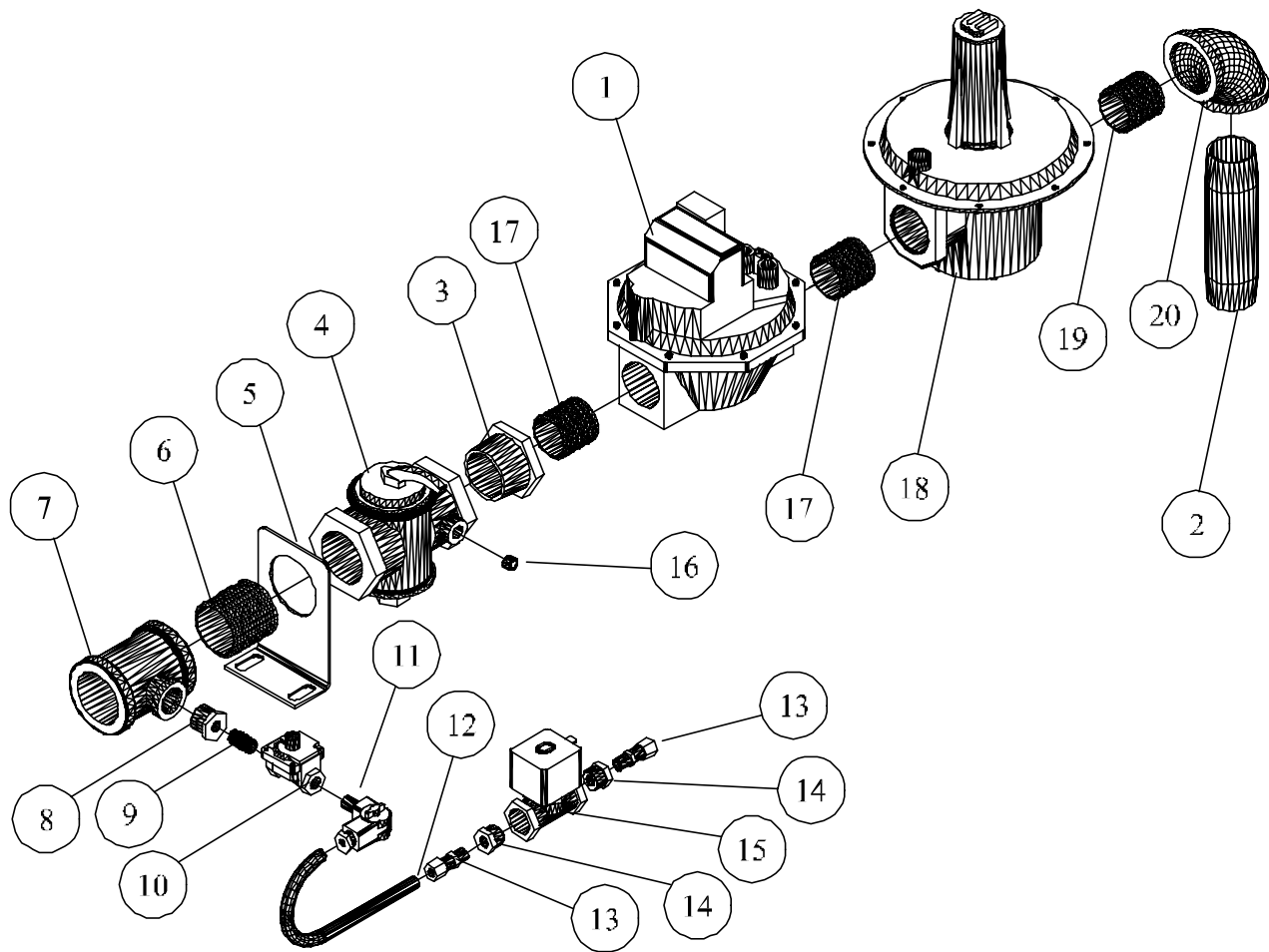
ITEM NO.	QTY.	DESCRIPTION	PART NO.
1	1	MANIFOLD, FITTINGS, STEEL, PLATED, ALL, UNITS	JP7716
2	1	ELBOW, STREET, STEEL, PLATED 3/8 NPT	JD3717-03
3	1	SWITCH, FLOW, SP. ST, NO, 20VA, 3/8 NPTM	JD7279
	1	SWITCH,REPLACEMENT,REED,ASSY,47"LEAD	JD7279-01
4	1	ADAPTER, SWIVEL, FEMALE, STEEL, PLATED, 3/8 X 3/8	JD3719-01
5	1	PLUG, HEAD, SQUARE, BRASS, 1/4 NPT	JD 679-02
6	1	NIPPLE, HEX, STEEL, PLATED, 3/8.NPT X 3/8 NPT	JD3716-01
7	1	VALVE, UNLOADER, PSI ACT, REG, 2415PSI, 6.3 GPM	JD3324-Q
8	1	BARB,HOSE,ELBOW,MALE,BRASS,3/8HSX3/8NPT	JD7149
9	1	VALVE, RELIEF, 0-1200 PSI, 160F, 3/8NPTM	JD7048-D

FIGURE 1-3 (Manifold, Fitting, Valve, JD8220, SJ 300 GES, Ass'y)



ITEM NO.	QTY.	DESCRIPTION	PART NO.
1	1	VALVE, COMBINATION, NAT, 24VAC, 1-1/4"	JD3845-K
2	1	NIPPLE, CLOSE, STEEL, SCH40, 1-1/4" NPT	JE 886
3	1	BUSHING, REDUCER, HEX, MI, 1-1/2" X 1-1/4"	JD3075
4	1	COCK, GAS, AGA & CGA, CERTIFIED, 1-1/2" NPTF	JP1496-A
5	1	BRACKET, MANIFOLD, GES, INLET, SIZE-C & D	JD8525
6	1	NIPPLE, CLOSE, STEEL, SCH 40, 1-1/2"NPT	JD1243
7	1	TEE, FEMALE, MI, 150#, 1-1/2" X 1-1/2" X 1/2	JD3076
8	1	BUSHING, REDUCER, HEX, BRASS, 1/2 X 1/8	JD6243
9	1	NIPPLE, CLOSE, STEEL, SCH 80, 1/8" NPT	JD2167
10	1	REGULATOR, GAS, PILOT, NAT, 3-6", RV10, 1/8"	JD6008
11	1	VALVE, PILOT, SHUTOFF, BRASS, 1/8 NPT M X 1/4 TUBE	JP2510-05
12	1	TUBING, ALUMINUM, 1/4 O.D. X .032 WALL	JD1820
13	2	CONNECTOR, MALE, COMPRESSION, BRASS, 1/4TBX1/8	JD3780-A
14	2	BUSHING, REDUCER, HEX, BRASS, 3/8 X 1/8	JD3092
15	1	VALVE, SOLENOID, GAS, 24V, 3/8 NPT	JP3731-B
16	1	PLUG, SOCKET, HEX, BRASS, 1/8 NPT	JD7243
17	1	NIPPLE, STEEL, SCH 40, 1/1/4 NPT X 9 LONG	JD3466
18	1	ELBOW, FEMALE, MI, 150#, 1-1/4 X 1-1/4	JE 888
19	1	NIPPLE, STEEL, SCH 40, 1-1/4 NPT X 5-1/2 LONG	JD3074

FIGURE 1-4A (Control, Burner, Nat. Gas, Inlet, JD7881, SJ 300, Ass'y)



ITEM NO.	QTY.	DESCRIPTION	PART NO.
1	1	VALVE, SOLENOID, LP, 24VAC, 1-1/4"	JE 919-A LP
2	1	NIPPLE, STEEL, SCH 40, 1-1/4 NPT X 5-1/2 LONG	JD3074
3	1	BUSHING, REDUCER, HEX, MI, 1-1/2" X 1-1/4"	JD3075
4	1	COCK, VALVE, GAS, WITH HANDLE, 1-1/2" NPT	JP1496-A
5	1	BRACKET, MANIFOLD, HPW 1510	JD8525
6	1	NIPPLE, CLOSE, STEEL, SCH 40, 1-1/2"NPT	JD1243
7	1	TEE, FEMALE, MI, 150#, 1-1/2" X 1-1/2" X 1/2	JD3076
8	1	BUSHING, REDUCER, HEX, BRASS, 1/2 X 1/8	JD6243
9	1	NIPPLE, CLOSE, STEEL, SCH 80, 1/8" NPT	JD2167
10	1	REGULATOR, GAS, PILOT,LP,5.5-12",RV10,1/8"	JD6008-A
11	1	VALVE, PILOT, SHUTOFF, BRASS, 1/8 NPT M X1/4 TUBE	JP2510-05
12	1	TUBING, ALUMINUM, 1/4 O.D. X .032 WALL	JD1820
13	2	CONNECTOR, MALE, COMPRESSION, BRASS, 1/4TBX1/8	JD3780-A
14	2	BUSHING, REDUCER, HEX, BRASS, 3/8 X 1/8	JD3092
15	1	VALVE, SOLENOID, GAS, 24V, 3/8 NPT	JP3731-B
16	1	PLUG, SOCKET, HEX, BRASS, 1/8 NPT	JD7243
17	2	NIPPLE, STEEL, SCH 40, 1/1/4 NPT X 2" LONG	JD1414
18	1	REGULATOR,GAS,PSI,LP,5"-12"WC,1-1/4 NPTF	JD3077-A
19	1	NIPPLE, CLOSE, STEEL, SCH 40, 1-1/4 NPT	JE 886
20	1	ELBOW,FEMALE,MI,150#,1-1/4 X 1-1/4	JE 888

FIGURE 1-4B(Manifold, Burner, LP Gas Inlet, JD7886, SJ 300 GES, ASSY)

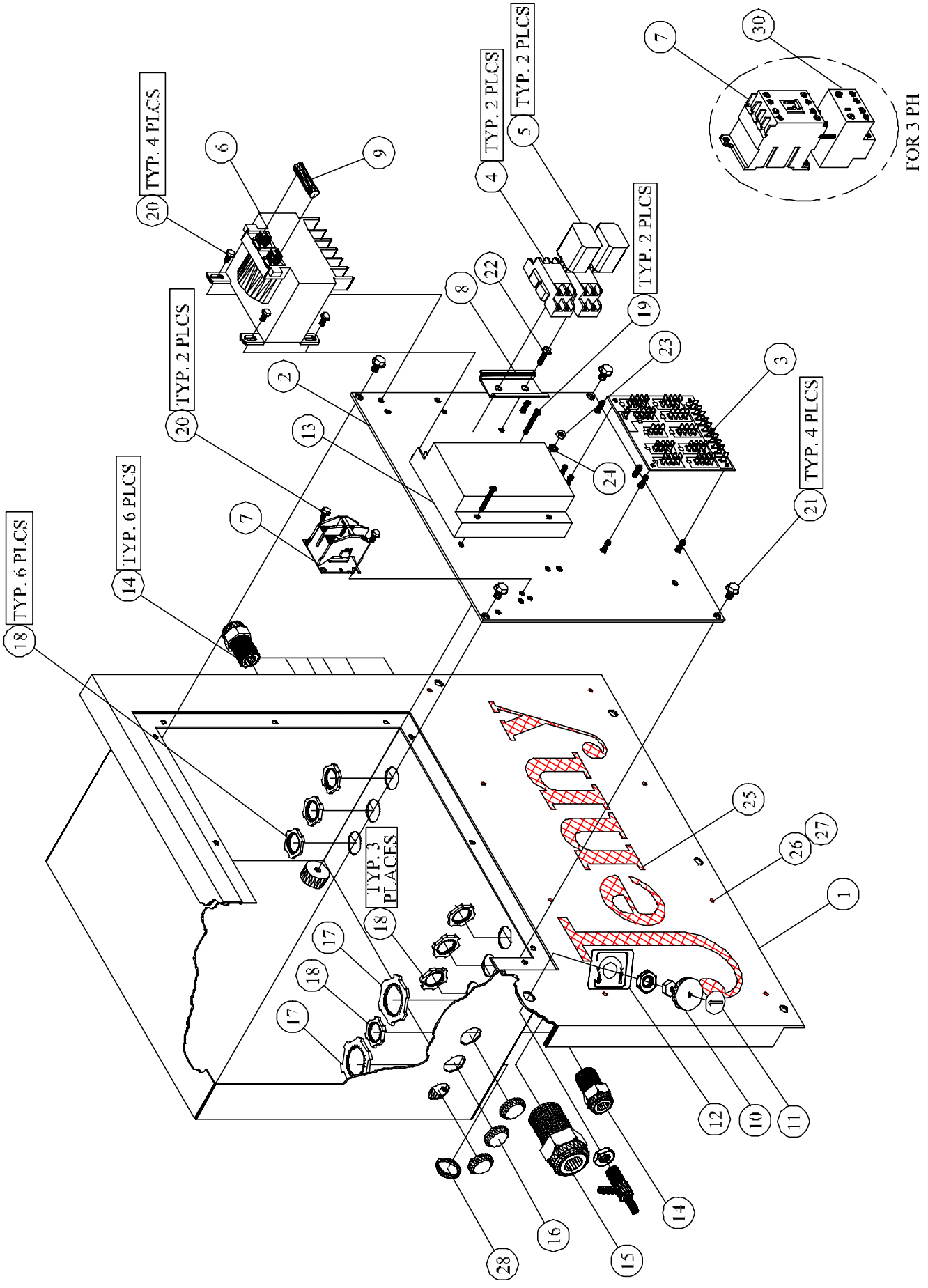
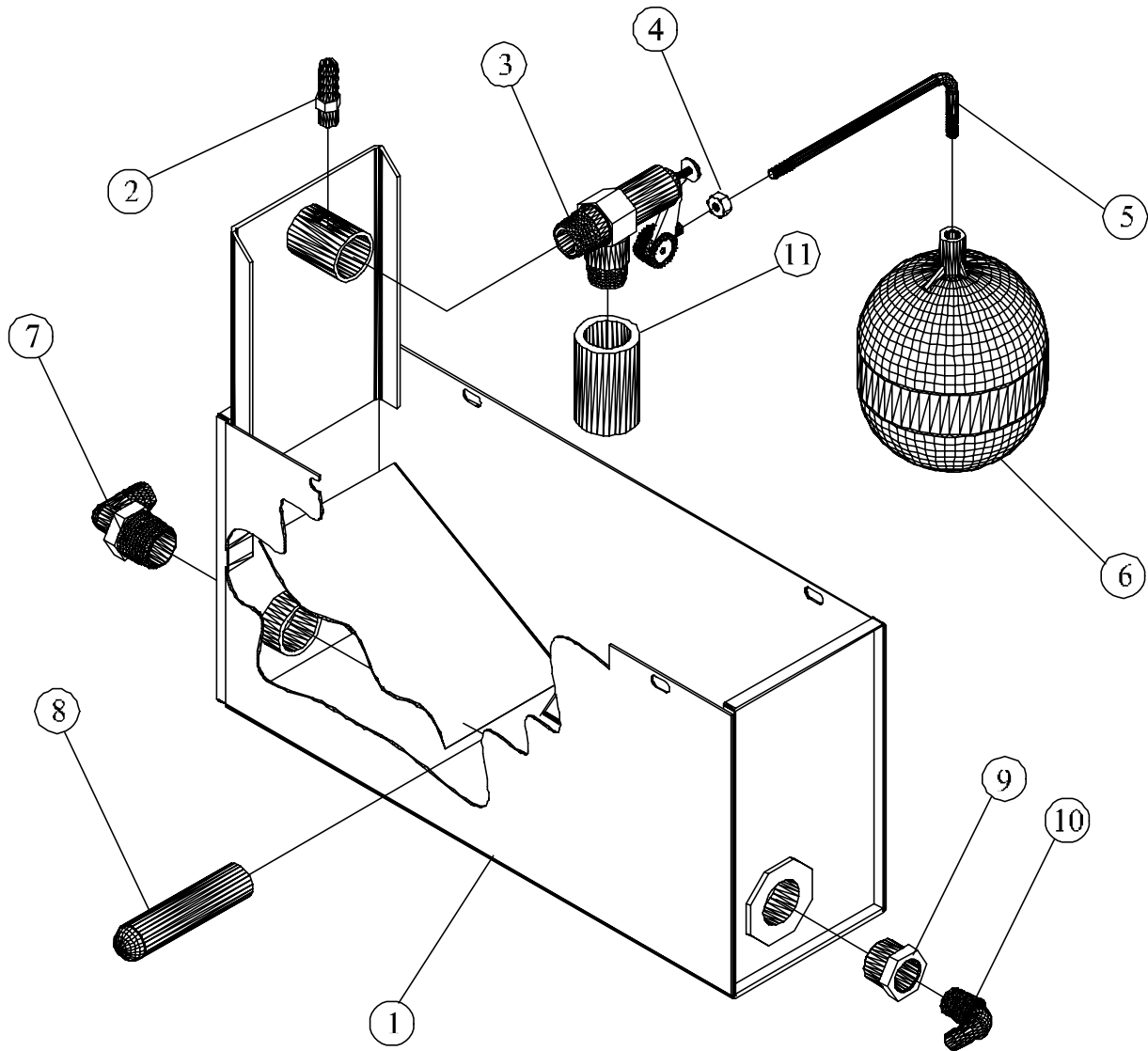


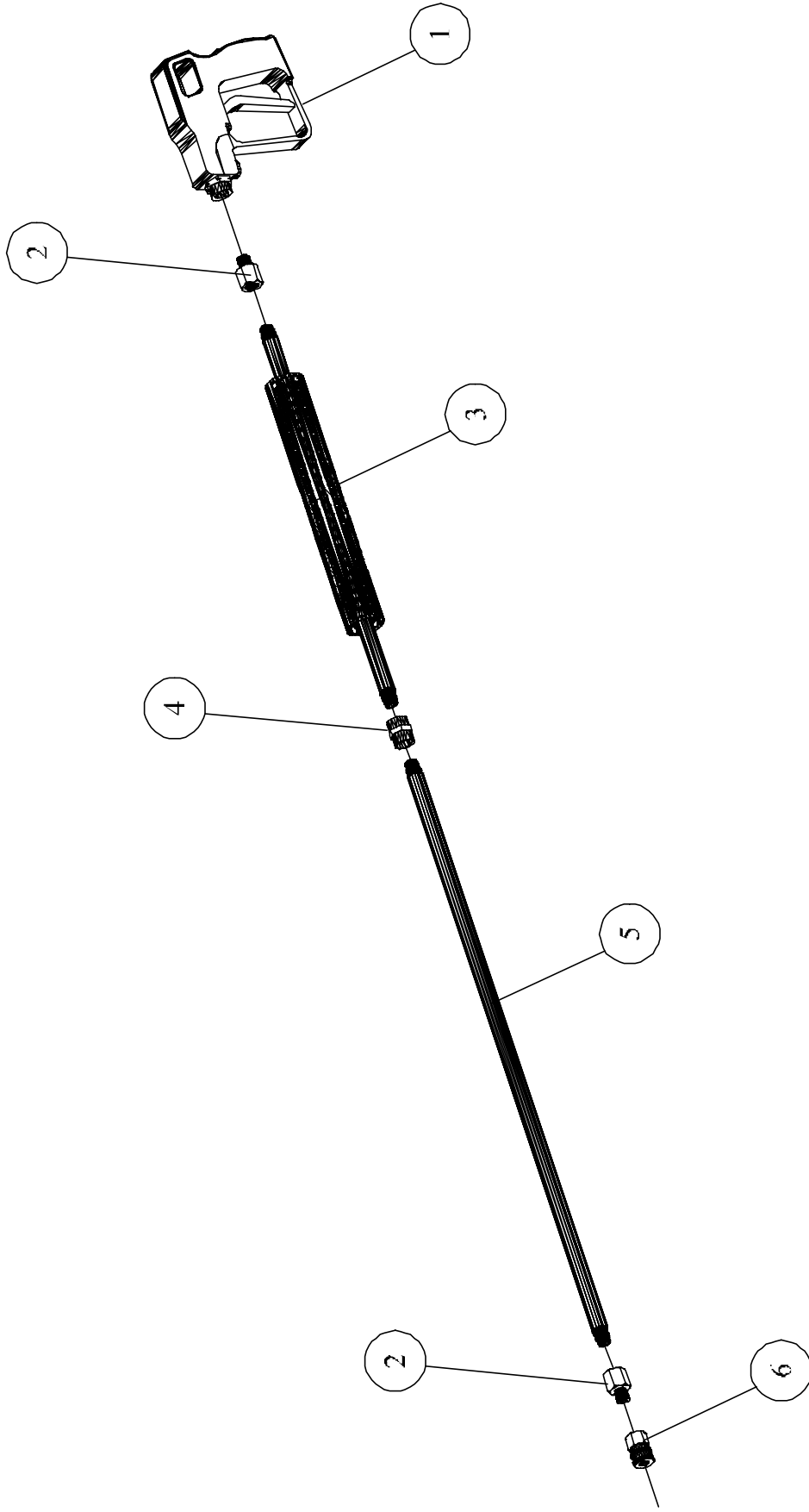
FIGURE 1-5 (SJ 300, GES, Box, Junction, Panel, Front, 115-230/60/1PH, 30A, JE2003)

ITEM NO.	DESCRIPTION	QTY.	PART NO.
1	PANEL, CONTROL, BOX, JUNCTION, STL, PNTRD, GES	1	JD8511
2	PLATE, MOUNTING, PANEL, CONT, BOX, JCT, ST, GES	1	JD8512
3	BOARD, CIRCUIT, PRINTED, ALL MACHINES	1	JB5000
4	BASE, RELAY, DP	2	JD7819-A
5	RELAY, DP, DT, 24VAC	2	JD7819
6-A	TRNSFRMR, CTRL, OPN, 100VA, 120-460VP, 24VS	1	JD2868
6-B	TRNSFRMR, CTRL, OPN, 100VA, 600VP, 24VS	1	JD3987-13
7-A	CONTACTOR, DP, OP, 2P, 30A, 24V	1	JP3530-D
7-B	CONTACTOR, DP, OP, 3P, 30A, 24V, W/AUX CONTACT (BEFORE 5-1-01)	1	JD7651-B
7-C	STARTER, DP, OP, 3P, 30A, 24V, CA7 SERIES (AFTER 5-1-01)	1	JD7651-W
8	RAIL, DIN, STL, PLTD, TAIL, DOVE, 1 3/8X5/16	0.25	JD7768-A
9	FUSE, ELEMENT, DUAL, DELAY, TIME, 250V, 6AMP	1	JD3107-11
10	VALVE, NEEDLE, SOLUTION, BRASS, 1/4IDHS-BARB	1	JD6248-A
11	DECAL, INDICATOR, HANDLE, VALVE	1	JD7143
12	DECAL, SOLUTION, METERING, VALVE	1	JD7821
13	CONTROL, IGNITION, UNIT, LOCKOUT, SP/45	1	JP7694-A
14	CONNECTOR, RELIEF, STRAIN, 1/4-3/8, 1/2 NPTM	6	JD1687-06
15	CONNECTOR, RELIEF, STRAIN, 5/8-3/4, 3/4NPTM	2	JD1687-17
16	PLUG, HOLE, PLASTIC, BLACK, 7/8"	3	JD3856
17	NUT, LOCK, CONDUIT, STEEL, PLATED, 3/4"	2	JD7728
18	NUT, LOCK, CONDUIT, STEEL, PLATED, 1/2"	6	JP 809
19	SCREW, MACHINE, PHILLIP	2	JD 838
20	SCREW, FLANGE, HEX, SERR, ST, PL, 8-32x3/8	6	JD7901-B
21	SCREW, FLANGE, HEX, SERR, ST, PL, 1/4-20X1/2	4	JD7904-A
22	SCREW, SLF DRL, HEX WASHER, PLTD, #10x5/8	1	JD7074-A
23	NUT, HEX, STEEL, PLATED, 10-32	1	JD 781
24	WASHER, LOCK, SPLIT, STEEL, PLATED, #10	1	JD 624
25	SCREEN, COVER, MACHINE, ST, PAINTED	1	JP7720-01
26	RIVET, AL, 160-164 HOLE, .063-.125 GRP, 5/32	8	JP7720-02
27	WASHER, FLAT, SS, 3/4 O.D.X 5/32 I.D. X 20 GAUGE	8	JP7720-03
28	PLUG, HOLE, PLASTIC, BLACK, 1.093"	1	JD3856-05
29	SCREW, FLANGE, HEX, SERR, ST, PL, 8-32x5/8	2	JD7901-D
30-A	RELAY, OVERLOAD, THERMAL, PLUG-IN, 3.5-5.0A (BEFORE 5-1-01)	1	JD7651-08
30-B	RELAY, OVERLOAD, THERMAL, PLUG-IN, 1.7-2.4A (BEFORE 5-1-01)	1	JD7651-05
30-C	RELAY, OVERLOAD, THERMAL, PLUG-IN, 1.0-1.4A (BEFORE 5-1-01)	1	JD7651-03
30-D	RELAY, OVERLOAD, THERMAL, PLUG-IN, 4-6A (AFTER 5-1-01)	1	JD7651-32
30-E	RELAY, OVERLOAD, THERMAL, PLUG-IN, 1.6-2.4A (AFTER 5-1-01)	1	JD7651-30



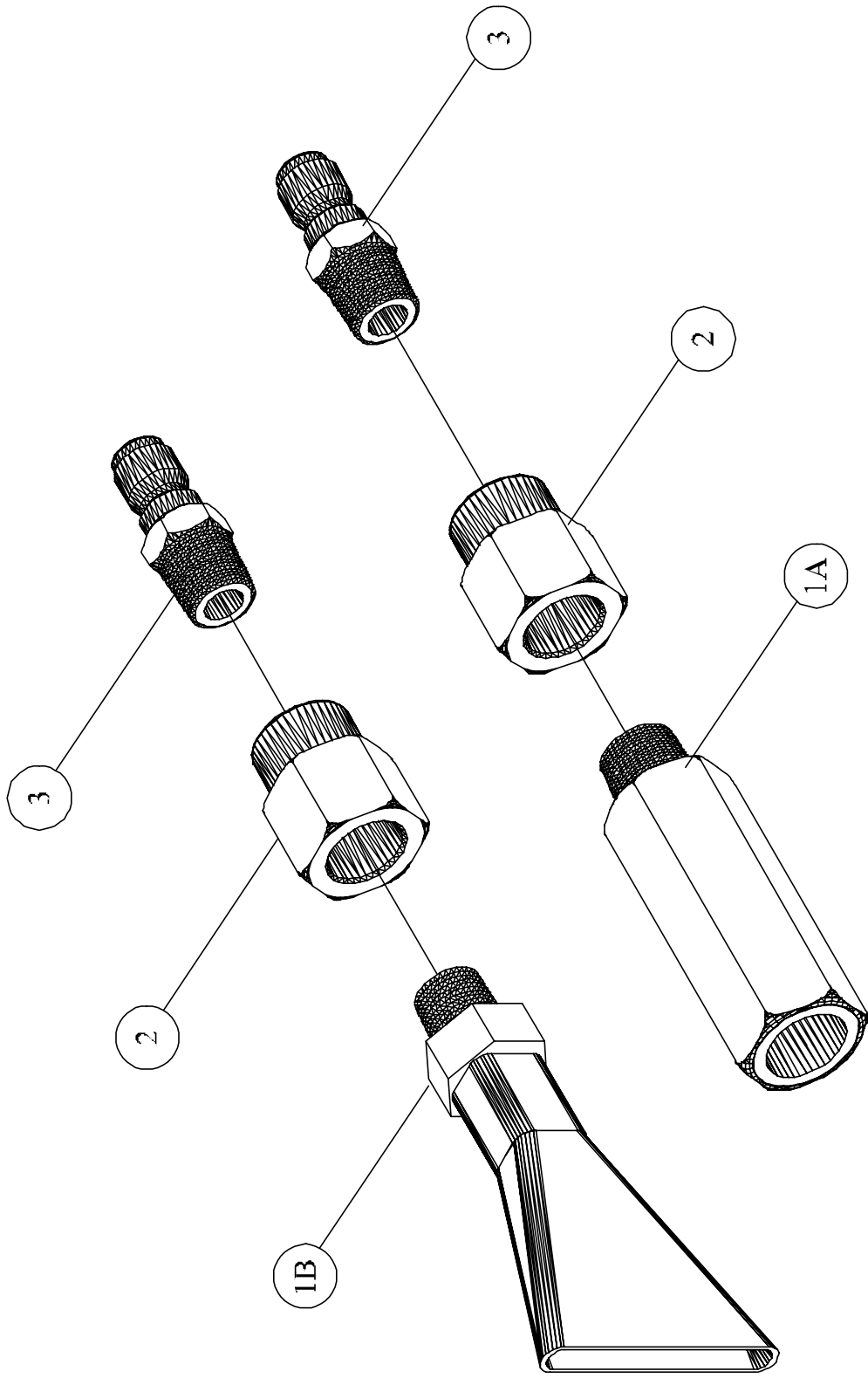
ITEM NO.	QTY.	DESCRIPTION	PART NO.
1	1	TANK, FLOAT, BOLT-ON, JB	JD8015
2	1	BARB, HOSE, MALE, BRASS, 1/4 HS X 1/8 NPT	JD6132
3	1	VALVE, FLOAT, BRASS, 60PSI, 1/2" NPTM	JD2988-B
4	1	NUT, HEX, STEEL, PLATED, 1/4-20	JD 791
5	1	ROD, FLOAT, BENT, BRASS, 1/4 X 5-5/8 LG X 1/4-20	JD1416-02
6	1	BALL, FLOAT, PLASTIC, BLACK	JD1416-01
7	2	ELBOW, BARB, HOSE, MALE, PLASTIC, 5/8 HS X 3/4 NP	JD3663
8	1	STRAINER, WATER, SS, 30MESH, 47/64 O.D. X 3-1/8 LG	JD3843-B
9	1	BUSHING,REDUCER,HEX,BRASS,3/4X3/8	JD3114
10	1	BARB,HOSE,ELBOW,MALE,BRASS,3/8HSX3/8NPT	JD7149
11	1	HOSE,RUBBER,BLACK,3/4	JE 558

FIGURE 1-6 (Tank, Float, Fitting, JD8245-R, SJ 300 GES, Ass'y)



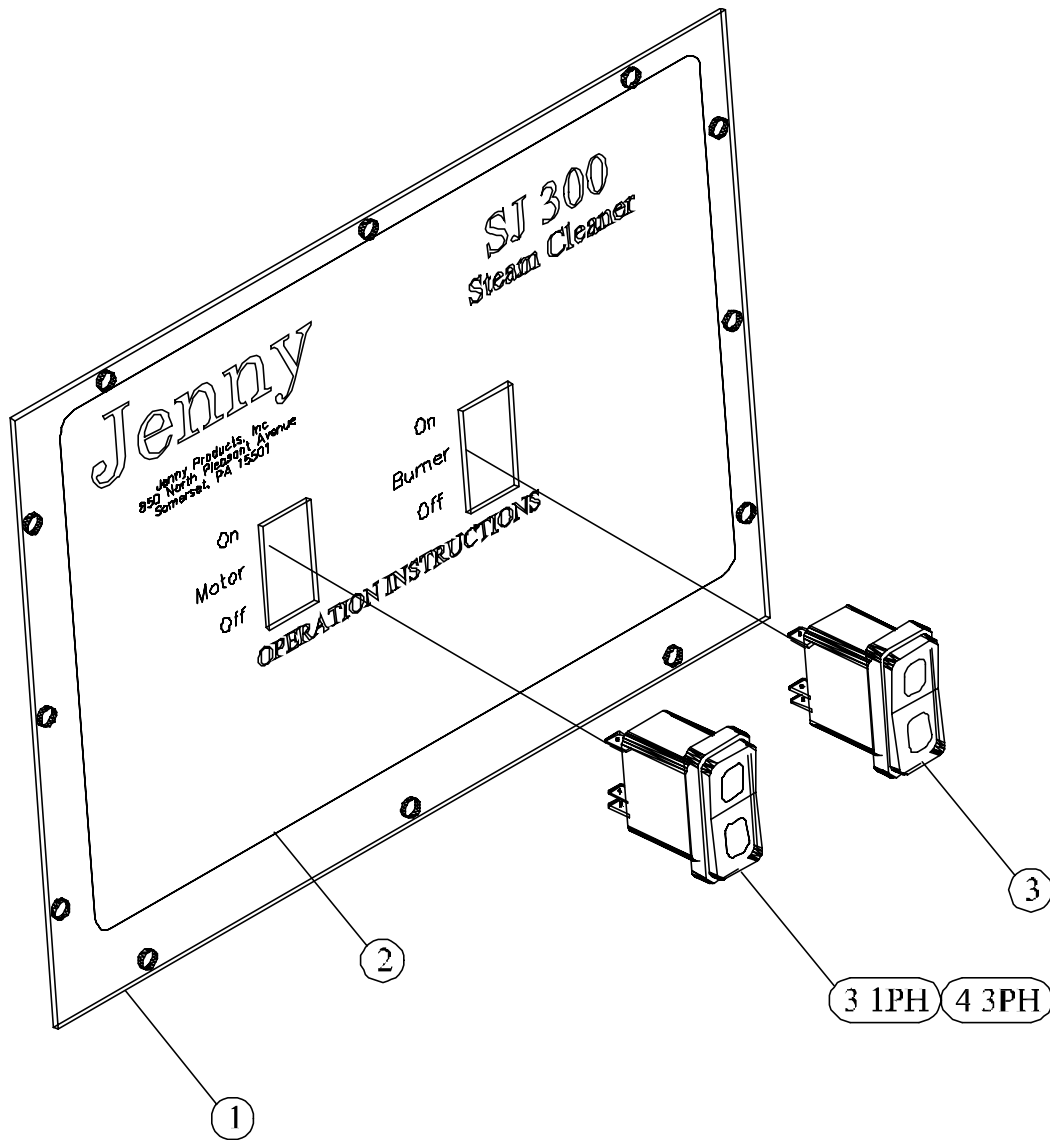
ITEM NO.	QTY.	DESCRIPTION	PART NO.
1	1	GUN, TRIGGER, 3000PSI, 8GPM, 320F	JD6068-B
2	2	ADAPTER, EXPANDING, STEEL, PLATED, 1/4M X 3/8F	JD6224
3	1	HANDLE, PERFORATED, SCH80, STEEL, ASSY, 3/8	JE 280-E
4	1	COUPLING, HEX, STEEL, PLATED, 3/8NPT X 3/8NPT	JD 907-04
5	1	NIPPLE, STEEL, SCH80, 3/8NPT X 28 LONG	JD 963
6	1	SOCKET, QUICK, COUPLING, BRASS, 1/4M X 3/8F	JD3102-02

FIGURE 1-7 (GUN, SCH80, N/C, W/O, SWIVEL, ASSY, 3/8", JP4261-H)



ITEM NO.	QTY.	DESCRIPTION	PART NO.
1A	1	NOZZLE, STEAM, 7/8 HEX, STL, PLATED	JP2735-B
1B	1	NOZZLE, FAN, STEAM, 2" WIDE	JD 459
2	2	COUPLING, HEX, BRASS, 3/8NPTF X 1/4 NPTF	JD 920-01
3	2	PLUG QUICK, COUPLING, BRASS, 1/4" NPTM	JD3103-04

FIGURE 1-8 (NOZZLE, STEAM & FAN, COMBINATION, FITTINGS, SJ 300, GES, ASSY)



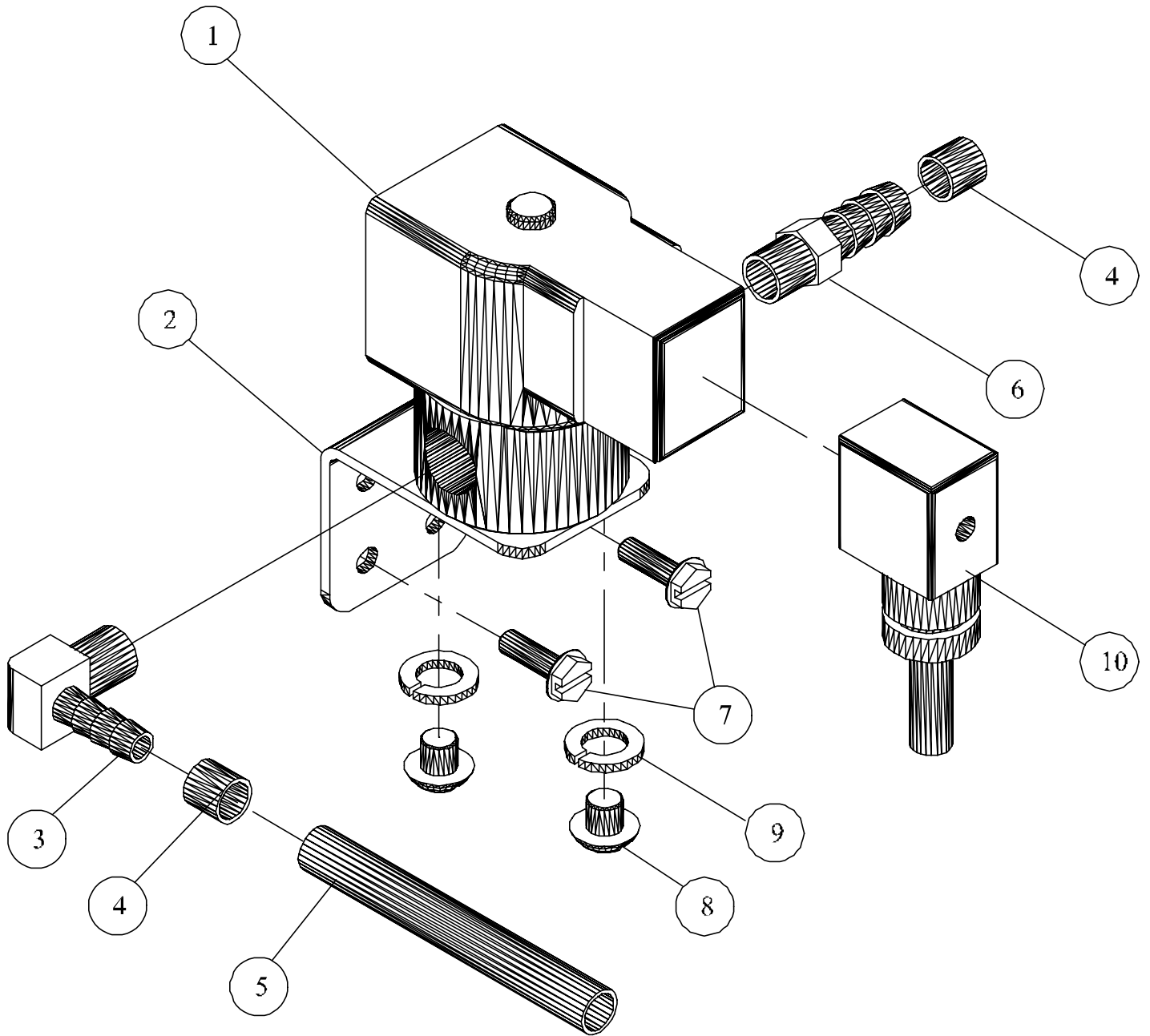
1 PH ONLY

ITEM NO.	QTY.	DESCRIPTION	PART NO.
1	1	PLATE,COVER,PANEL,CONT,BOX,JCT,HPW,GES	JD8513
2	1	DECAL,PANEL,INSTRUCTION,SJ 300,GES	JD8436
3	2	SWITCH,ROCKER,SP,ST,10A,24V,LED,LIGHT	JE1004

3 PH ONLY

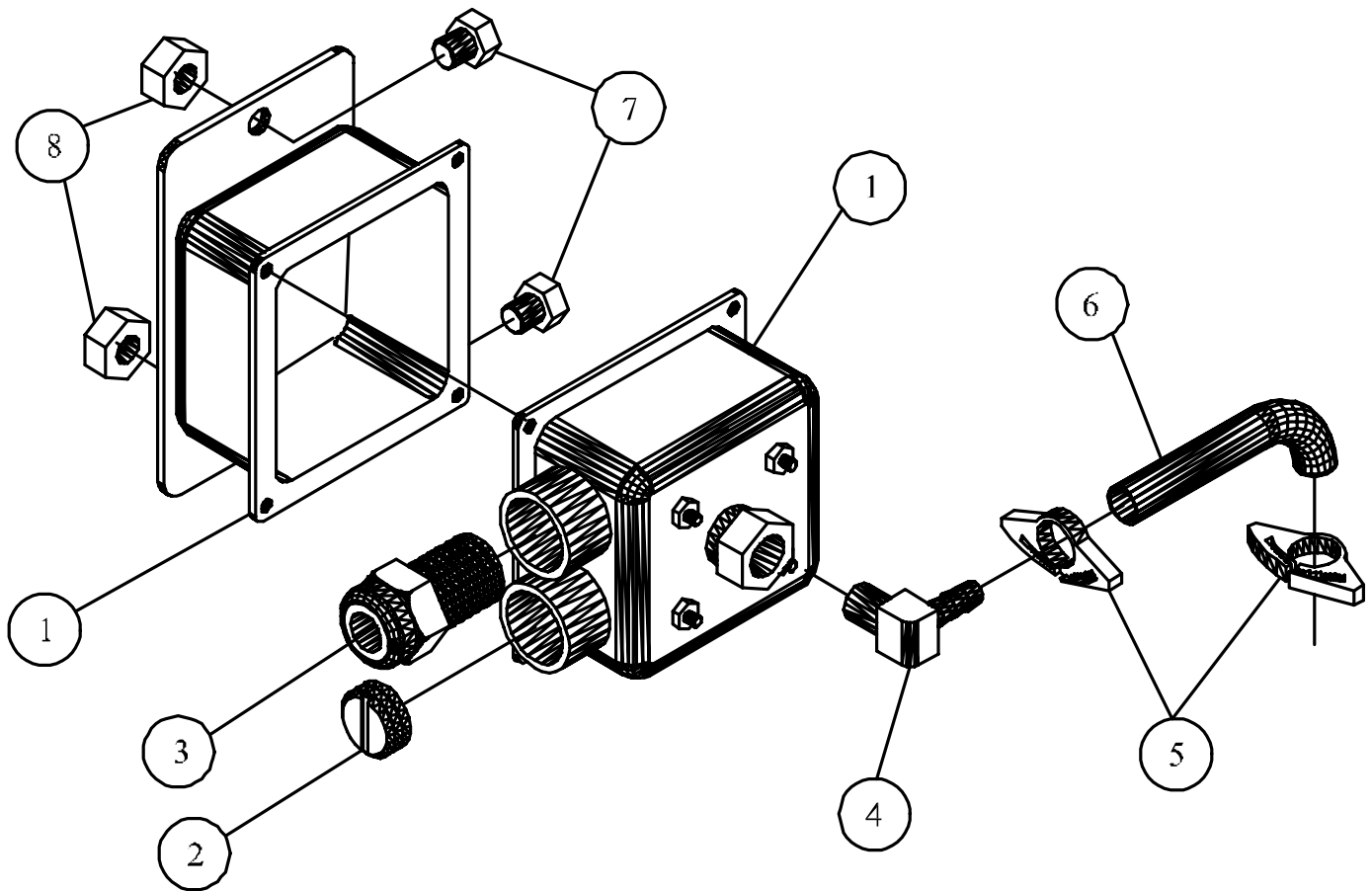
ITEM NO.	QTY.	DESCRIPTION	PART NO.
1	1	PLATE,COVER,PANEL,CONT,BOX,JCT,HPW,GES	JD8513
2	1	DECAL,PANEL,INSTRUCTION,SJ 300,OEP & GES	JD8436
3	1	SWITCH,ROCKER,SP,ST,10A,24V,LED,LIGHT	JE1004
4	1	SWITCH,ROCKER,DP,DT,OFF-ON-MOM,10A,24V	JE1006

FIGURE 1-9 (Panel, Instruction, SJ 300, Ass'y)



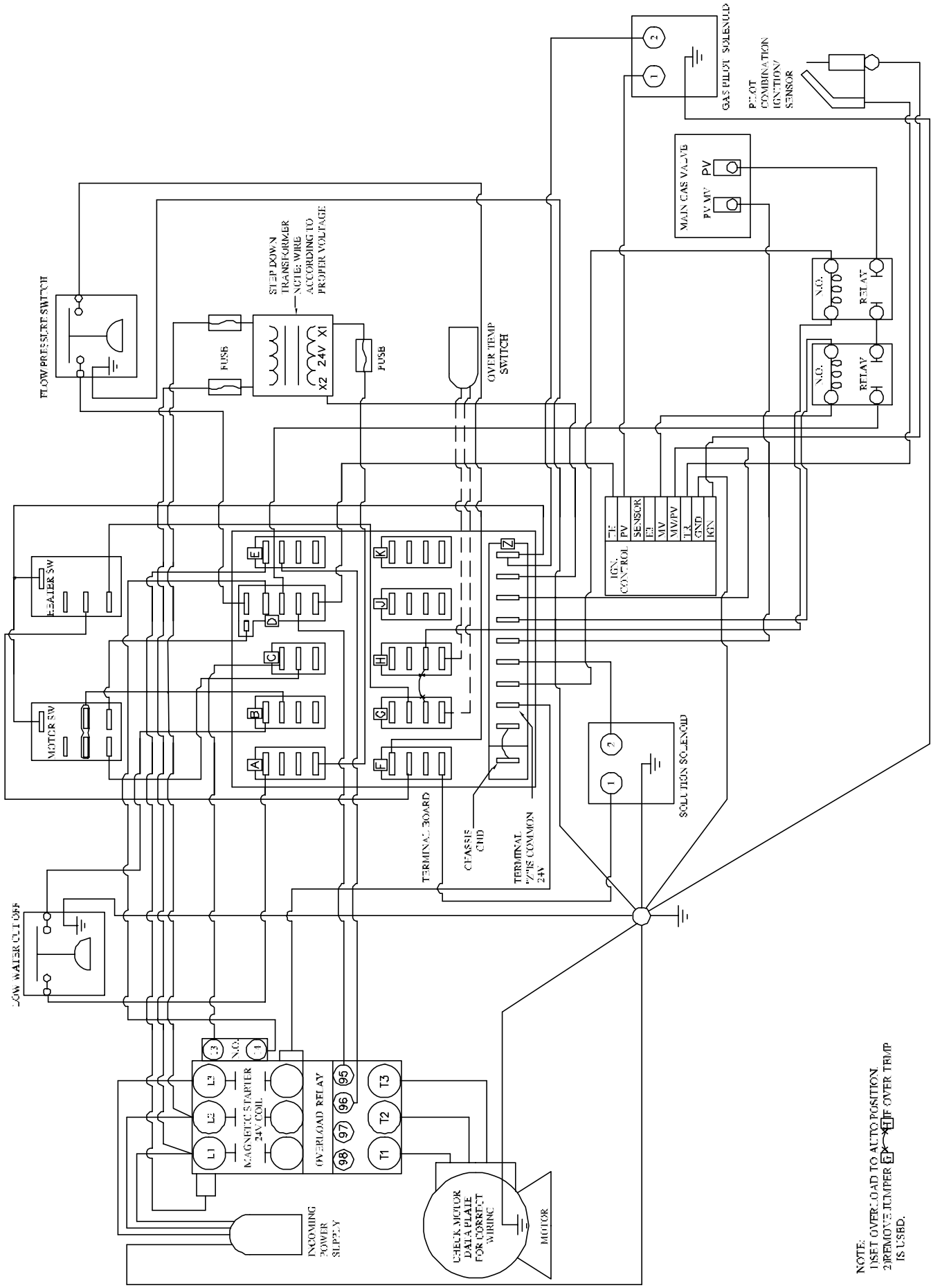
ITEM NO.	QTY.	DESCRIPTION	PART NO.
1	1	VALVE, SOLENOID, SOLUTION, 24V, 1/4NPT	JD2162-F
2	1	BRACKET, MOUNTING, SOLUTION, SOLENOID	JD7760
3	1	BARB, HOSE, ELBOW, MALE, BRASS, 1/4HS X 1/4 NPT	JD7078
4	2	CLAMP, SLEEVE, PLASTIC, 3/8 I.D.	JD2759
5	1	TUBING, PVC, CLEAR, 3/8 O.D. X 1/4 I.D.	JD3087
6	1	BARB HOSE 1/4 HS X 1/4 NPT	JD2765
7	2	SCREW, SLF, DRL, HEX WASHER, PLTD, #10 X 5/8	JD7074-A
8	2	SCREW, MACHINE, PHILLIPS, ST, PL, 10-32 X 3/8	JD3234
9	2	WASHER, LOCK, SPLIT, STEEL, PLATED, #10	JD624
10	1	CONNECTOR, SOLENOID, RELIEF, STRAIN, DIN	JD7703

FIGURE 20-1 (VALVE, SOLUTION, SOLENOID, JD2162-F, ASSY)



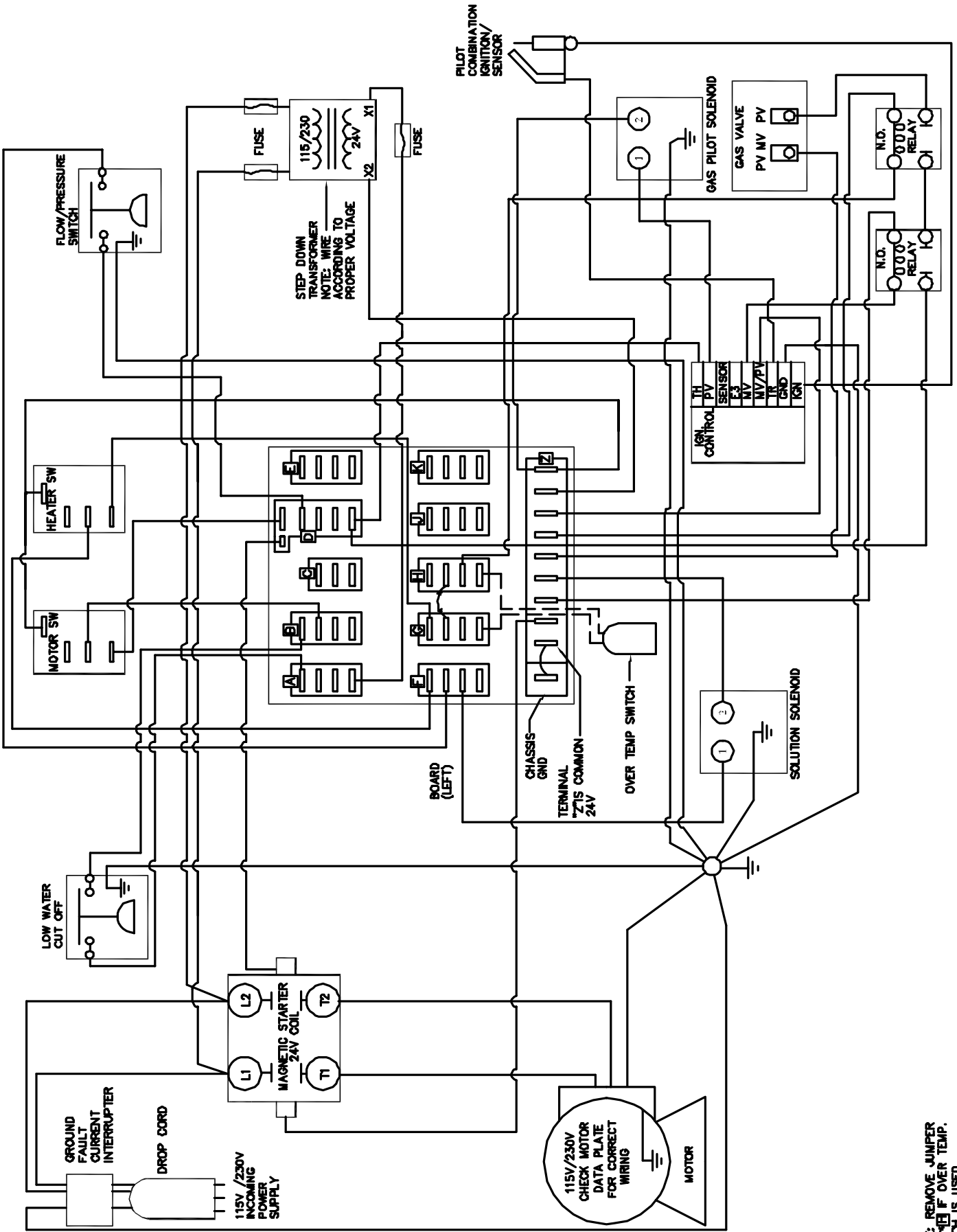
ITEM NO.	QTY.	DESCRIPTION	PART NO.
1	1	SWITCH, PRESSURE, W/BRACKET, WELDED ASSY	JP7731
2	1	PLUG, HOLE, BOX, JUNCTION, 1/2 NPS	JD7719
3	1	CONNECTOR, RELIEF, STRAIN, 1/4-3/8, 1/2NPM	JD1687-06
4	1	BARB, HOSE, ELBOW, MALE, BRASS, 1/4HS X 1/4NPT	JD7078
5	2	CLAMP, HOSE, NYLON, BLACK, .406/.468 DIA	JD-7859-A
6	1	TUBING, PVC, REINFORCED, 1/4ID	JD7850
7	2	SCREW, FLANGE, HEX, SERR,ST, PL, 1/4-20 X 1/2	JD7904-A
8	2	NUT, LOCK, FLANGE, HEX, SERR, ST, PL, 1/4-20	JD7774-D

FIGURE 20-2 (SWITCH, PRESSURE, W/BRACKET, WELDED, JD7731, ASS'Y)



File Name: Jw 306 Gas, Fired, SJ, Hot Pressure Washer, W Mom & Dual-Relay, 3 Ph.

NOTE:
 1) SET OVERLOAD TO AUTO POSITION.
 2) REMOVE JUMPER IF OVER TRIP IS USED.



(Electrical Schematic Diagram) JW 308 Diagram Wire Gas, Steam Jenny, 1Ph, No-Mom, W/Dual Relay File Name: Jw 308

NOTE: REMOVE JUMPER IF OVER TEMP SWITCH IS USED.