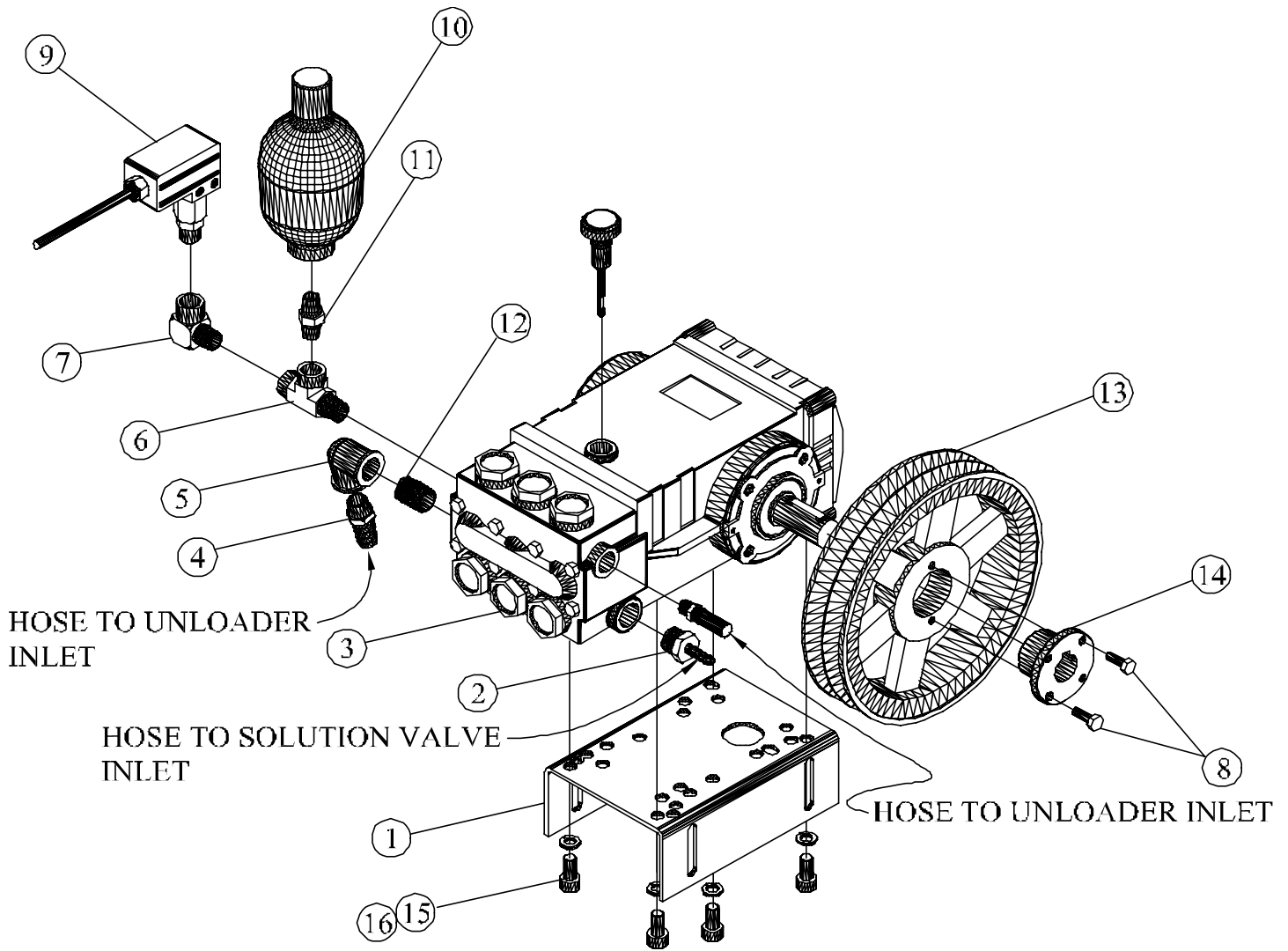


HPW1550 OMP,ES,N/C,JB,MAG			
PARTS LIST			
Notes: Figure 20- (Common Parts)			
Electrical Dia. Files Jw 125			
ITEM NO.	DESCRIPTION	QTY.	PART NO.
1	CHASSIS,CHANNEL,MAIN,ST,PAINTED,OILFIRED	1	JD8000
2 ASSY SEE FIG 1-7	BLOWER,AIR,ASSY,6"ODX4"WX1/2"SHAFT	1	JB2000
3 ASSY SEE FIG 1-2	BURNER,GUN,OIL,DOUBLE ELECTRODE	1	JB1000
4 ASSY SEE FIG 1-4	TANK,FLOAT,ASSY,W/FITTINGS,HPW1550,OMP	1	JD8245-E
5	CASING,COIL,BOLT-ON,STEEL,PAINTED,LARGE	1	JD8002
6	COIL,OIL FIRED,3/8"PIPE,SCH40	1	JP2610
7	POT,FIRE,SS	1	JL 133
8	DISC,INSULATION,CERAMIC,14-3/8ODX4-1/8X3/8	1	JD7238-A
9	CORDSET,VALVE,SOLENOID,FUEL,SUNTEC	1	JD3306-E
10	TEE,STREET,STEEL,PLATED,3/8"NPT	1	JD 860-02
11	NIPPLE,STEEL,SCH80,3/8NPTX2-3/4LONG	1	JD 968
12	ELBOW,FEMALE,BRASS,FORGED,3/8NPTF	1	JD 691-01
13	THERMOSTAT,IMMERSION,SP,ST,NC,240 DEG F	1	JD7137
14	PLUG,QUICK COUPLING,BRASS,3/8"NPTF	1	JD3103-05
15	HOSE,FUEL,ASSY,1/4"X42"L,HPW	2	JD8246
16 ASSY SEE FIG 1-1	PUMP,MOUNTING&FITTING,ASSY,HPW1550OMP,GE	1	JD8310-A
	OIL,PUMP,SYNTHETIC,HIGH-PERFORMANCE,1 QT	1	JD7999-A
	OIL,PUMP,SYNTHETIC,HIGH-PERFORMANCE,1 PT	1	JD7999-B
17 ASSY SEE FIG 1-3	MANIFOLD,FITTINGS,VALVE,HPW1550,ASSY,OMP	1	JD8210
18	PANEL,COVER,REAR,STEEL,PAINTED,NS	1	JD8006
19	PLATE,STIFFNER,ENGINE,GASOLINE,STEEL,OMP	1	JD8019
20ASSY SEE FIG 1-5	MAGNETO,IGNITION,FM,CCW, ASSY	1	JD 942-A
SEE FIG 1-6	MAGNETO,IGNITION,FM,CCW, PARTS BREAK DOWN		
21	ENGINE,GASOLINE,KOHLER,13HP,E.S.	1	JD7781
22	PULLEY,ALUM,SG,4.04ODX.501ID,(A39X1/2"G)	1	JD7986
23	BELT,VEE,FHP,COG,4L210	1	JD7896
24	BELT,VEE,FHP,COG,3L290	1	JD3315-02
25	PULLEY,CRS,SG,1-3/4ODX1/2ID(3L BELT) W/KEY WAY	1	JD3233-04
26	BELT,VEE,COG,BX40	2	JD3959-10
27	COVER,SS,ASSY,OMP,NEW,JB,MACH	1	JD8249
28	PANEL,COVER,FRONT,ST,PAINTED,OMP,HPW,JB	1	JD8013
29	DECAL,PANEL,INSTRUCTION,ENGINE,GAS,HPW	1	JD8440
30	BRACKET,BATTERY,STEEL,PAINTED,OMP,JB	1	JD8017
31	TRAY,BATTERY,STEEL,PAINTED,LARGE,CPW	1	JD7775-G
32	BOX,BATTERY,PLASTIC,BLACK,11X7-1/2X8-3/4	1	JD7769
33	CASTER,SWIVEL,W/BRAKE,5"DIA X 2"FACE	1	JD3217-01
34	CASTER,SWIVEL,W/OBRAKE,5"DIA X 2"FACE	1	JD3217-02
35	AXLE,CHASSIS,STEEL,PLATED,3/4"ODX24"O/L	1	JD8010
36	WHEEL,PNEUMATIC,10"ODX3/4"ID,BALLBEARING	2	JP2643-F
37	WIRE,IGNITION,BURNER,MAGNETO,ASSY,34"	1	JP3950-M
38	COLLAR,SCREW,SET,STEEL,PLATED,3/4"ID	2	JD7777
39	WIRE,IGNITION,BURNER,ASSY,27.5" GND	1	JP3950-F
40	TUBING,PVC,CLEAR,3/8ODX1/4ID	4	JD3087
41	RING,CASING,COIL,SS,7-15/16ID	1	JD2140-B
42	GROMMET,RUBBER,BLACK,7/16"ID.	5	JD3385-01
43	BUSHING,RELIEF,STRAIN,0.32-0.65,7/8	5	JD3947
44	BUSHING,RELIEF,STRAIN,0.37-0.43,7/8	5	JD3479
45	SCREW,MACHINE,PHILLIP,ST,PL,6-32X1/2	2	JD1033
46	RECEPTICAL,CLIP-ON,STEEL,DACROTIZED	6	JP7733-01
47	DECAL,NUMBER,MODEL,HPW1550,BLUE,LARGE	2	JD8454
48	SCREW,SLF DRL,HEX WASHER,PLTD,#10x5/8	10	JD7074-A
49	SCREW,CAP,HEX HD,ST,PL,5/16-18X1"	3	JD 557
50	SCREW,CAP,HEX HD,ST,PL,3/8-16X3/4"	4	JD 561
51	SCREW,CAP,HEX HD,ST,PL,5/16-18X3/4"	12	JD 556
52	SCREW,CAP,HEX HD,ST,PL,FLT,3/8-16X2-1/4"	2	JD7035

53	SCREW,CARRIAGE,GR5,ST,PL,3/8X6	2	JD7798
54	NUT,HEX,STEEL,PLATED,5/16-18	6	JE 755
55	NUT,HEX,STEEL,PLATED,3/8-16	4	JD 846
56	NUT,LOCK,FLANGE,HEX,SERR,ST,PL,3/8-16	2	JD7774-F
57	WASHER,FLAT,STEEL,PLATED,5/16	12	JD 894
58	WASHER,FLAT,STEEL,PLATED,1/4	6	JD 787
59	WASHER,LOCK,SPLIT,STEEL,PLATED,1/4"	12	JD 611
60	WASHER,LOCK,SPLIT,STEEL,PLATED,5/16"	14	JD 612
61	WIRE,BATTERY,ASSY,#6 GA,RED,61"LONG	1	JD7989
62	WIRE,BATTERY,ASSY,#6 GA,BLACK,56"LONG	1	JD7990
63	SWITCH,TOGGLE,SP,ST,6A@120V	1	JD2124
64	BOOT,SEAL,RUBBER,SWITCH,TOGGLE	1	JD3176
65	BOX,JUNCTION,NEMA4,2X4X2-1/8,STEEL CITY	1	JD 961
66	CLIP,SEPARATOR,WIRE,IGNITION,7MM,2-WIRE	2	JD7831
67	CLIP,SEPARATOR,WIRE,IGNITION,7MM,3-WIRE	2	JD7832
68	GROMMET,RUBBER,BLACK,5/8" I.D.	3	JD3385
69	FILTER,OIL,FUEL,W/HEAD,3/8NPT	1	JD2117
70	CONNECTOR,MALE,BRASS,1/4-45SAEX3/8NPT	1	JD1277
71	CONNECTOR,MALE,BRASS,1/4-45SAEX1/4NPT	4	JD 659
72	CLAMP,SLEEVE,PLASTIC,3/8ID	1	JD2759
73	GUN,TRIGGER,2200PSI,6GPM,212F	1	JD7154
74	SOCKET,QUICK COUPLING,BRASS,1/4"NPTF	1	JD3102-02
75	NOZZLE,SPRAY,PSI,SS,QCK CON,0 DEG,O#8.0	1	JD7755-08
76	NOZZLE,SPRAY,PSI,SS,QCK CON,15DEG,O#8.0	1	JD7756-08
77	NOZZLE,SPRAY,PSI,SS,QCK CON,25DEG,O#8.0	1	JD7757-08
78	NOZZLE,SPRAY,PSI,SS,QCK CON,40DEG,O#8.0	1	JD7758-08
79	SOCKET,QUICK COUPLING,BRASS,3/8NPTF	1	JD3102-05
80	WASHER,STRAINER,MESH,WIRE,BRASS,#30	2	JD 809
81	HOSE,WASH,PRESSURE,3000PSI,250F,3/8X50FT	1	JD7790-A
82	DECAL,NAMEPLATE,OIL FIRED	1	JD6251-05
83	DECAL,CLEAR,MYLAR	1	JD6251-08
84	DECAL,INDICATOR,HANDLE,VALVE,SOLUTION	1	JD7143
85	TAG,TESTED,FUEL	1	JD7196-01
86	DECAL,DANGER,WARNING,CAUTION,LARGE	1	JD7239
87	PLUG,HEAD,SOCKET,HEX,STEEL,PLATED,3/4"NP	1	JD 877
88	CAP,FILLER,FUEL,STEEL,PLATED,1/4 TURN	1	JD3174
89	TANK,FUEL,BOLT-ON,STEEL,PAINTED,13.3 GAL	1	JD8020
90	TUBING,COPPER,ASSY,BURNER,F.PUMP-SOL,JB	1	JD1722-U
91	WIRE,BATTERY,ASSY,#6 GA,RED,12"LONG	1	JP7128-E
92	SCREW,CAP,HEX HD,ST,PL,3/8-16X1"	4	JD 563
93	WASHER,FLAT,STEEL,PLATED,3/8	6	JD 873
94	DECAL,LOGO,JENNY,BLUE	2	JD7185
95	GROMMET,RUBBER,BLACK,1-1/2,I.D.	1	JP 675
96	VALVE,NEEDLE,SOLUTION,BRASS,1/4IDHS-BARB	1	JD6248-A
97	DECAL,SOLUTION,METERING,VALVE	1	JD7821
98	KEY,STEEL,1/4X1/4X2-1/2LENGTH	1	JP6714-03
99	CLAMP,HOSE,GEAR,WORM,SS,9/16TO1-1/16DIA	2	JD1229-A
100	CLAMP,HOSE,NYLON,BLACK,.875/1.000DIA	2	JD7859-G
101	PULLEY,CI,FG,4BG34X1",3.4DPA	1	JD3904-70
102 ASSY SEE FIG 20-1	VALVE,SOLENOID,SOLUTION,12V,1/4NPT	1	JD2162-D
103	LANCE,INSULATED,STEEL,ZINC-PLATED,1/4X36	1	JP7080-O
104	MOLDING,RUBBER,FOAM,ADHESIVE,1/2WX1/8T	1.5	JD3782-B
105	HOSE,HYD,3K PSI,31"L,3/8NPTM,90D-3/8NPTM	2	JD7893
106	SCREW,CAP,HEX HD,ST,PL,1/4-20X1/2"	10	JD 550
107	SCREW,CAP,HEX HD,GR5,ST,PL,1/4-20X3/4"	4	JD 551
108	STRAINER,CHEMICAL,BRASS,1/4"HOSEBARB	1	JD7140-A
109	BAFFLE,TANK,FLOAT,REMOVABLE	1	JP3385-08
110 SUPPLIED W/ ENGINE	GUARD,MUFFLER,ROUND,KOHLER,11-15HP,TOP	1	JD7780-06
111 SUPPLIED W/ ENGINE	MUFFLER,RD,ENGINE,KOHLER,11-15HP,TOP,KIT	1	JD7780-07
112	KEY,STEEL,PLATED,1/8X1/8X2-1/8"LONG	1	JD 950-02

113 SUPPLIED W/ ENGINE	SOLENOID,STARTER,ELECT-START,KOHLER	1	JD7706-03
114	SCREW,PHILLIPS,HEAD,"N",COVER	6	JP7733
115	RETAINER,SCREW,PHILLIPS,HEAD,"N"	6	JP7733-02
116	WASHER,LOCK,SPLIT,STEEL,PLATED,3/8"	12	JD 613
117	WASHER,STEEL,3/4ID,SAE	2	JP2036-03
118	HOSE,RUBBER,GARDEN,5/8	1	JL 146
119	FILTER,OIL,CH11-CH13,KOHLER#5205002	1	JD7767-04
120	NIPPLE,CLOSE,BRASS,3/8NPT	1	JD3054
NOT SHOWN	DECAL,NOTICE,BATTERY,USE 12V 20AMP	1	JD7023
NOT SHOWN	DECAL,PACKED,GROOMED,TESTED	1	JD6013
NOT SHOWN	DECAL,MADE-IN-THE-USA,JENNY	1	JD6211
NOT SHOWN	DECAL,DANGER,WARNING,CAUTION,LARGE	1	JD7239
NOT SHOWN	DECAL,FUEL,OIL,MYLAR,BLUE,1"X4"	1	JD2345



ITEM NO.	QTY.	DESCRIPTION	PART NO.
1	1	PLATE,MOUNTING,PUMP,STEEL,PAINTED,JB	JD8016
2	1	BARB,HOSE,MALE,BR,1/4HSX1/2NPTM	JD7826
3	1	PUMP,PLUNGER,TRIPLEX,3000PSI,5.6GPM,GEN	JD7063
4	1	BARB,HOSE,MALE,BRASS,5/8HSX1/2NPT	JD7877
5	1	ELBOW,FEMALE,BRASS,FORGED,1/2NPT	JD 692-02
6	1	TEE,STREET,STEEL,PLATED,3/8"NPT	JD 860-02
7	1	ELBOW,STREET,STEEL,PLATED,3/8NPT	JD3717-03
8	4	H.H.B.1/4-20 UNC-3/4 CLASS 5 RECEIVED W/BUSHING	
9	1	SWITCH,PSI,SP,ST,NO,15A,230V,3/8NPT	JD3977
10	1	ACCUMULATOR,BLADDER,3000#WP,1050# CHARGE	JD7646-I
11	1	NIPPLE,HEX,STEEL,PLATED,3/8NPTX3/8NPT	JD3716-01
12	1	NIPPLE,BRASS,1/2NPTX1-1/2LONG	JD3094-01
13	1	PULLEY,CIDG,TH,2BK100H,9.0PDA,9.4PDB	JD3904-K
14	1	BUSHING,PULLEY,TAPERED,24MM BORE	JD3915
15	2	METRIC RECEIVED W/ PUMP	
16	4	WASHER, LOCK, SPLIT, STEEL, PLATED, 3/8"	JD 613

FIGURE 1-1 (Pump, Mounting, Fitting, JD8310-A, HPW1550 OEP, Assy)

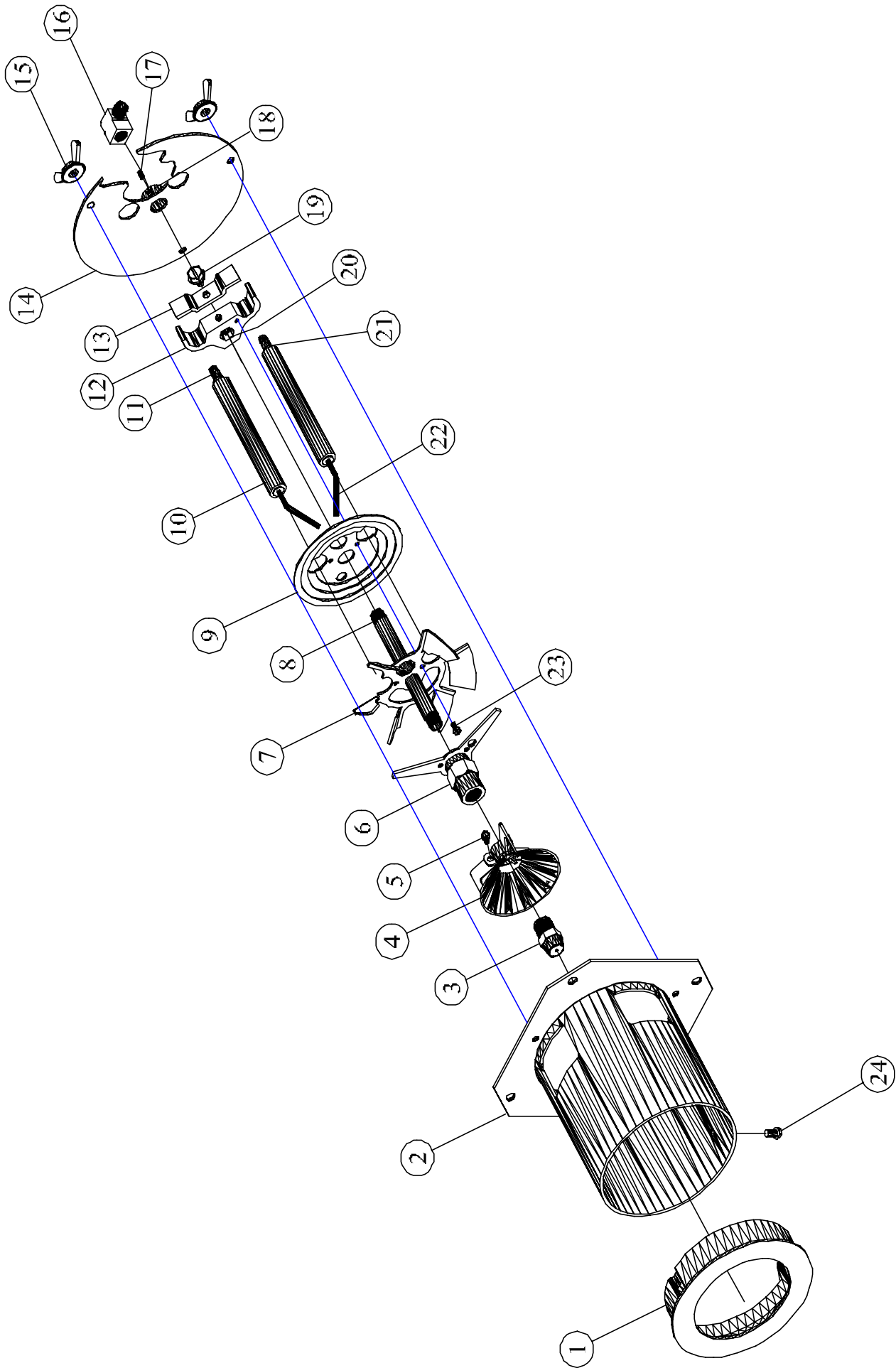
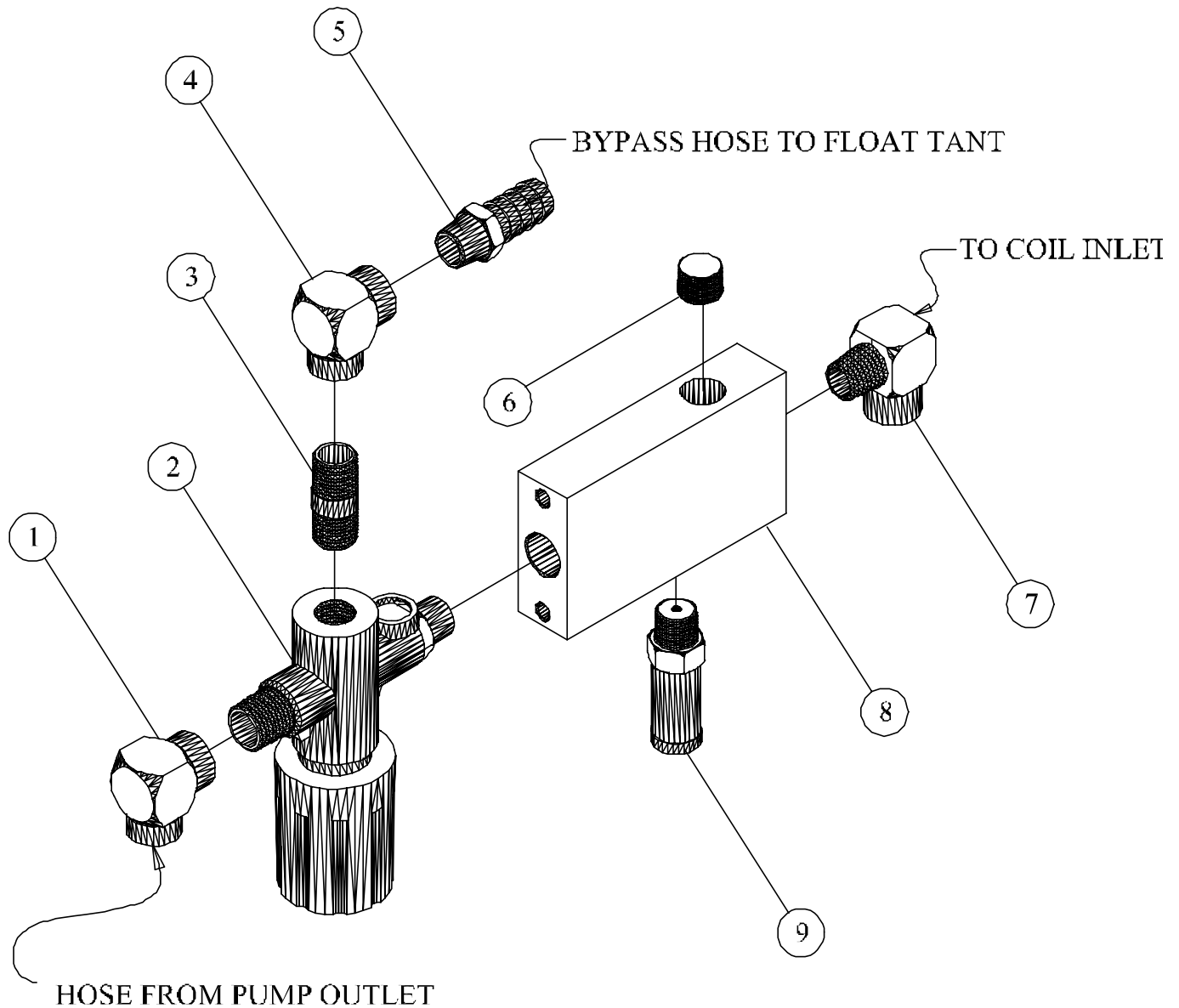


FIGURE 1-2 (Burner, Gun, Oil, Double, Electrode JB1000, HPW1550 OMP, Assy)

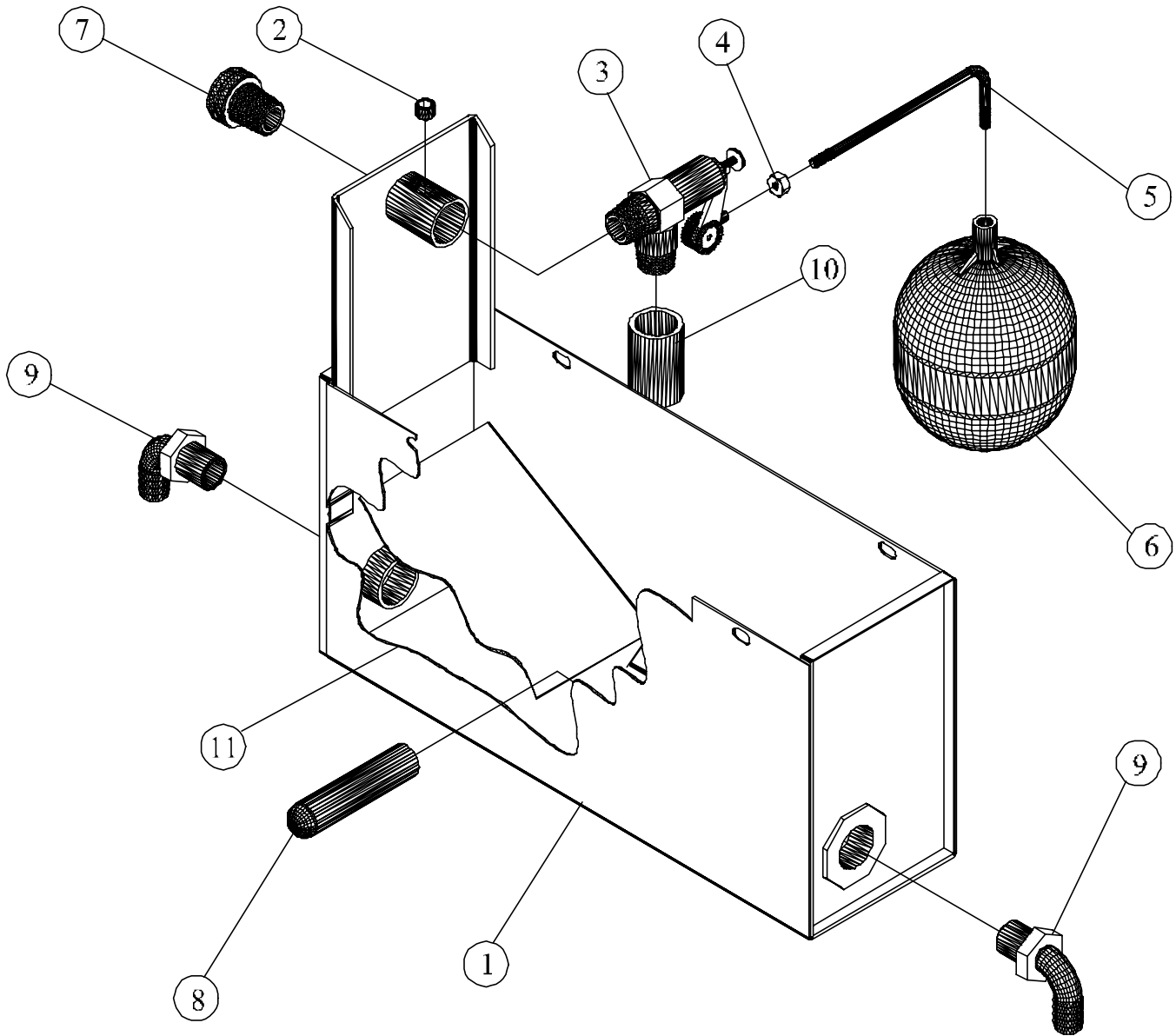
Hpw 1550, OMP
BURNER, GUN, OIL, DOUBLE, ELECTRODE
JB1000, ASSY

ITEM NO.	DESCRIPTION	QTY.	PART NO.
1	CONE, AIR, MI, 4.0 O.D. X 3.0 I.D. X .875 LONG	1	JB1002
2	TUBE, AIR, STEEL, 4.25 O.D. X 4.0 I.D. X 4.50 LONG ASSY	1	JB1001
3	NOZZLE,BURNER,OIL,2.25GPH,80 DEG,S.C. (ON MACHINE B.O.M.)	1	JB1511
4	FLAME LOCK, STAINLESS, 10 VANE, 2.5" CONE	1	JB1007
5	SCREW, SELF TAP, HEX, WASH, STEEL, PLATED, 6-32 X 3/8	1	JB1014
6	ADAPTER, NOZZLE, BRASS, W/LEG, SUPPORT	1	JB1006
7	WHIRLER, STEEL, PLATED, 6 VANE, 3-11/16 O.D.	1	JD1010
8	NIPPLE, STEEL, SCH40, 1/8" NPT X 4" LONG	1	JB1004
9	PLATE, STEEL, PLATED, DISC, SOLID, 3-3/8 O.D.	1	JB1009
10	INSULATOR, ELECTRODE, CERAMIC, GLAZED, 4"	2	JB1015-01
11	CONNECTOR, SPARK PLUG, RAJAH, 100734-002	2	JB1015-04
12	SUPPORT, ELECTRODE, ALUMINUM	1	JB1008
13	CLAMP, ELECTRODE, STEEL, 13 GA. X .5 X 2.0	1	JB1011
14	PLATE, BURNER, STEEL, 14 GA X 5.25 DIAMETER	1	JB1003
15	NUT, WING, STEEL, FORGED, PLATED, 10-24	3	JD2186
16	ELBOW, FEMALE, BRASS, 1/4-45 SAE X 1/8 NPTF	1	JB1018
17	SCREW, SET, HEX, CUP POINT, NYLK, 1/4-20X1/4	1	JE 895
18	COLLAR, STEEL, .875 O.D. X .437 I.D. X .437 LONG	1	JB1005
19	SCREW, MACHINE, HEX, WSHR, ST, PLATED, 10-24 X 5/16	1	JB1013
20	SCREW, SET, HEX, CUP POINT, 10-24 X 1/4	1	JB1012
21	NUT, LOCK, FLANGE, HEX, ST, PL, #6-32	2	JB1015-03
22	ELECTRODE, BENT RADIUS, TUNGSTEN	2	JB1015-02
23	SCREW, SELFTAP, HEX WASH, ST, PL, 4-40 X 3/8	1	JB1016
24	SCREW, MACHINE, PHILLIPS, ST, PL, FL, 8-32 X 3/8	1	JB1017



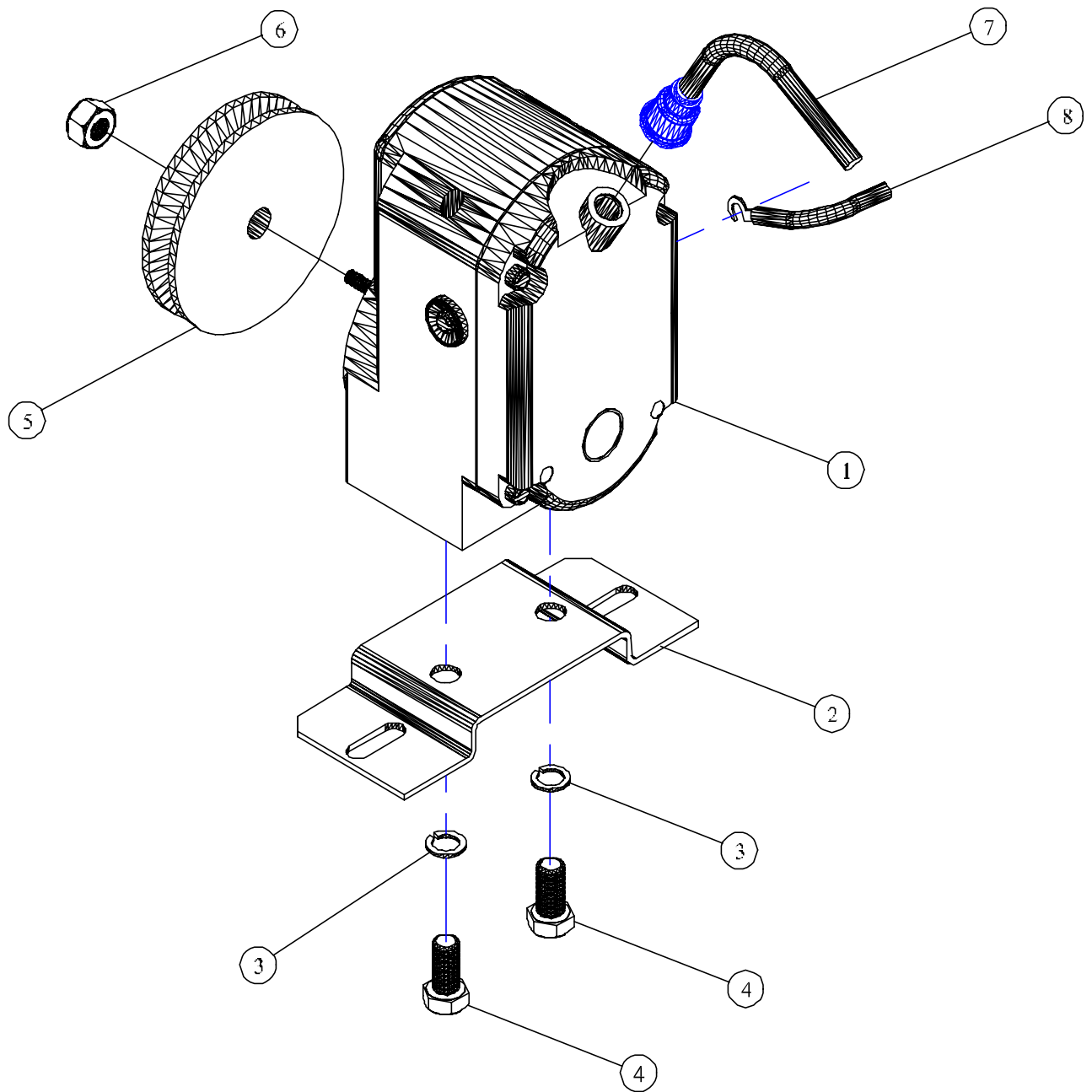
ITEM NO.	QTY.	DESCRIPTION	PART NO.
1	1	ELBOW,FEMALE,STEEL,PLATED,3/8"NPT	JD 691
2	1	VALVE,UNLOAD,PSI ACT,2000PSI,6GPM	JD3324-F
3	1	NIPPLE,BRASS,3/8NPTX2 LONG	JD 732-05
4	1	ELBOW,FEMALE,BRASS,FORGED,3/8NPTF	JD 691-01
5	1	BARB,HOSE,MALE,BRASS,5/8HSX3/8NPT	JD 975-01
6	1	PLUG,SOCKET,HEX,BRASS,3/8NPT	JD7151
7	1	ELBOW,STREET,STEEL,PLATED,3/8NPT	JD3717-03
8	1	MANIFOLD,FITTINGS,STEEL,PLATED,ALL UNITS	JP7716
9	1	VALVE, RELIEF, 1200-2400PSI, 160F, 3/8 NPTM	JD7048-C

FIGURE 1-3 (Manifold, Valve, Fitting, JD8210, Hpw 1550 OMP Ass'y)



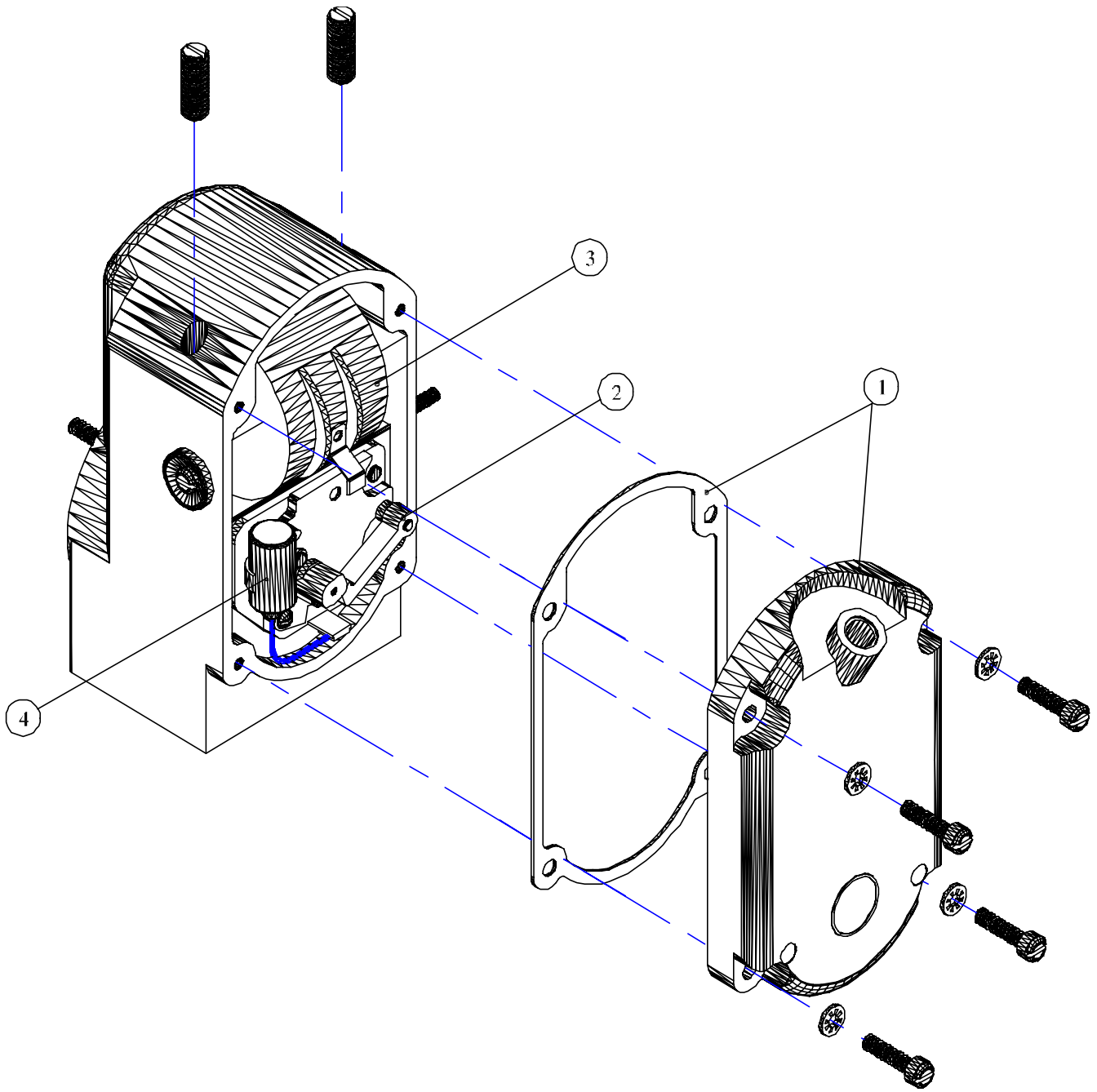
ITEM NO.	QTY.	DESCRIPTION	PART NO.
1	1	TANK, FLOAT, BOLT-ON, JB	JD8015
2	1	PLUG, SOCKET, HEX, BRASS, 1/8NPT	JD7243
3	1	VALVE, FLOAT, BRASS, 60PSI, 1/2"NPTM	JD2988-B
4	1	NUT, HEX, STEEL, PLATED, 1/4-20	JD 791
5	1	ROD, FLOAT, BENT, BRASS, 1/4 X 5-5/8 LG X 1/4-20	JD1416-02
6	1	BALL, FLOAT, PLASTIC, BLACK	JD1416-01
7	1	CONNECTOR, BR, 3/4 GARDEN HOSE X 1/2 NPTM, SWIV	JD7142
8	1	STRAINER, WATER, SS, 30 MESH, 47/64 O.D. X 3-1/8 LG	JD3843-B
9	2	ELBOW, BARB, HOSE, MALE, PLASTIC, 5/8 HS X 3/4 NP	JD3663
10	1	HOSE, RUBBER, BLACK, 3/4	JE 558
11	1	BAFFLE, TANK, FLOAT, REMOVABLE	JP3385-08

FIGURE 1-4 (Tank, Float, Fitting, JD8245-E, Omp Hpw1550 Ass'y)



ITEM NO.	QTY.	DESCRIPTION	PART NO.
1	1	MAGNETO, IGNITION, FM, CCW	JD942-A
2	1	BRACKET, MAGNETO, OMP, JB	JP6082-A
3	2	WASHER, LOCK, SPLIT, STEEL, PLATED, 3/8"	JD 613
4	2	SCREW, CAP, HEX, HD, ST, PL, 3/8-16 X 3/4	JD 561
5	1	PULLEY, CRS, SG, 3.17OD X 7/16ID - TAPERED	JD3314-A
6	1	NUT, LOCK, STEEL, PLTD, NYLON, INSERT, 3/8-16	JD3726-02
7	1	WIRE, IGNITION, BURNER, MAGNETO, ASSY 34"L	JD3950-M
8	1	WIRE, IGNITION, BURNER, ASSY, 27.5" L GND	JD3950-F

FIGURE 1-5 (Magneto, Ignition Fittings, Omp, Assy)



NOTE: WE ARE USING CCW ROTATION ON THE NEW UNITS W/ GAS ENGINES

ITEM NO.	QTY.	DESCRIPTION	PART NO.
1	1	COVER, GASKET, MAGNETO, ASSY	JD 942-11
2	1	POINT, CONTACT, MAGNETO, CCW	JD 942-22
3	1	COIL, MAGNETO	JD 942-13
4	1	CONDENSER, MAGNETO	JD 942-14

FIGURE 1-6 (Magneto, Replacement, Parts, JD 942-A Break Down)

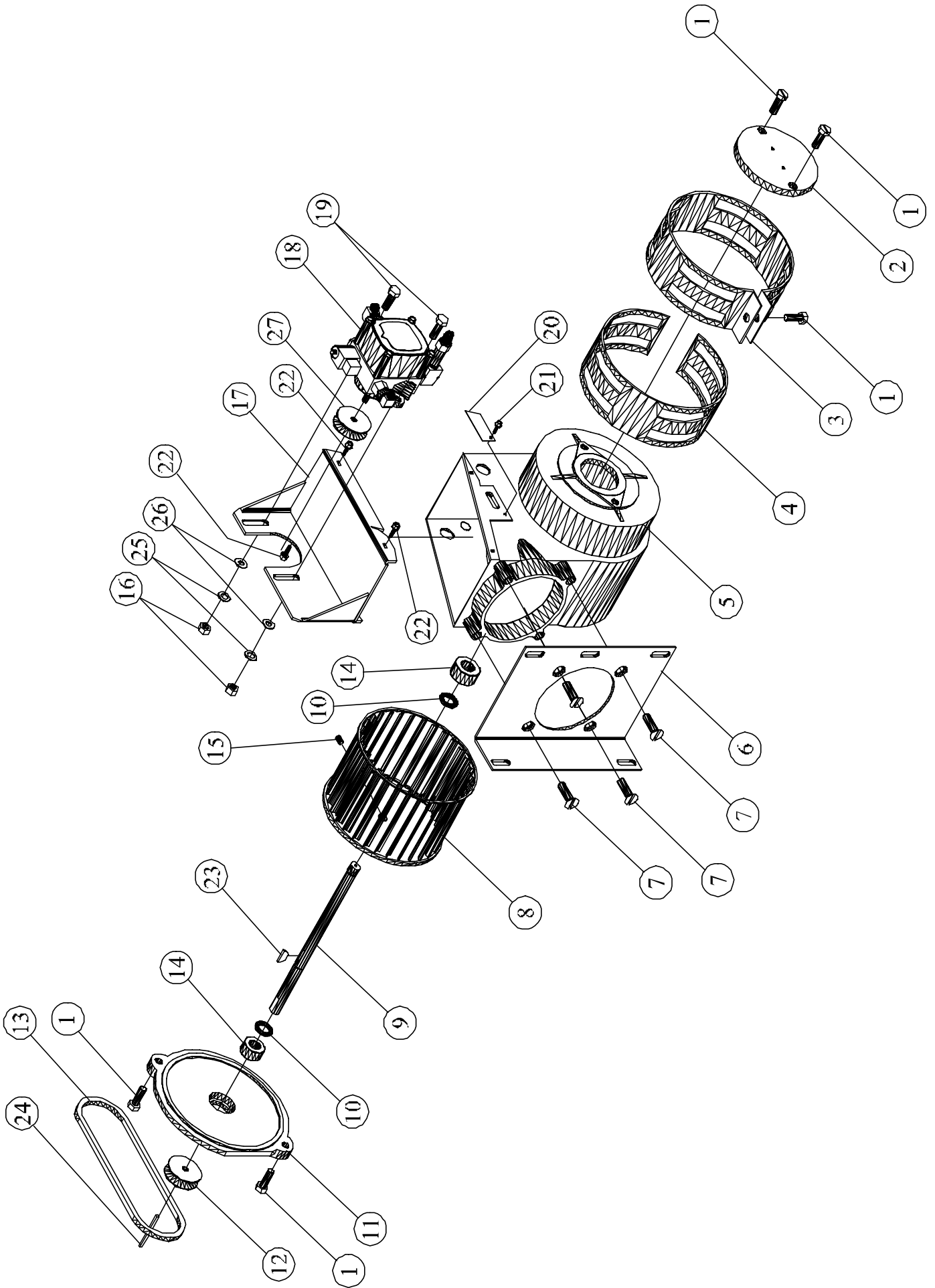
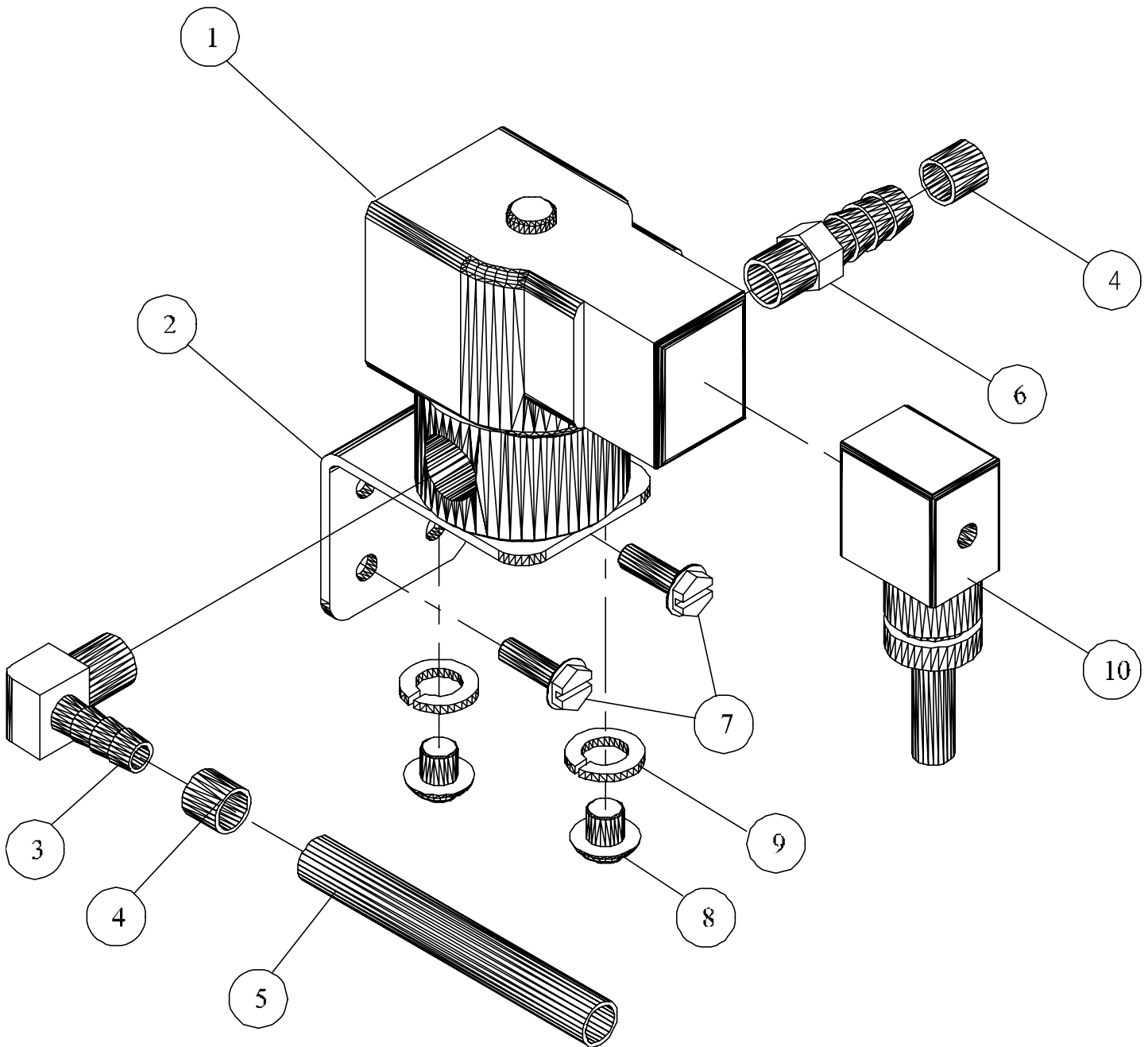


FIGURE 1-7 (Blower, Air, JB2000, 6" OD X 4" W X 1/2" Shaft, Assy)

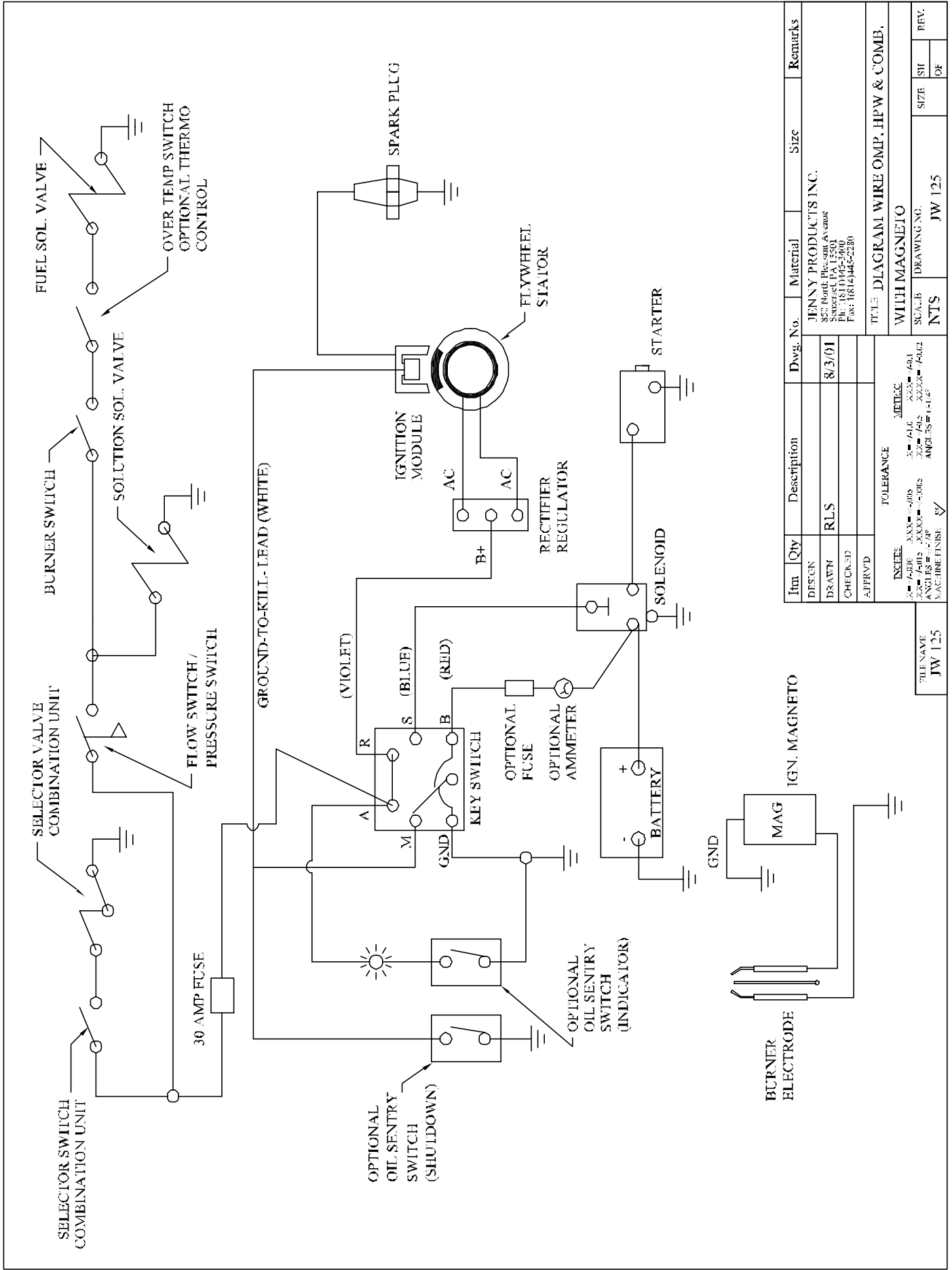
HPW1550 OMP, Blower, Air, JB2000
6" ODX 4"W X 1/2" Shaft Assy

ITEM NO.	DESCRIPTION	QTY.	PART NO.
1	SCREW, MACHINE, HEX, SERR, ST, PL, 5/16-18 X 7/8	5	JB2012
2	RETAINER, BEARING, ALUMINUM, BAND, AIR	1	JB2006
3	BAND, AIR, OUTER, STEEL, PLATED, 8 HOLE	1	JB2003
4	BAND, AIR, INNER, STEEL, PLATED, 7 HOLE	1	JB2002
5	HOUSING, BLOWER, ALUMINUM, 6.25OD X 4.0 WHEEL	1	JB2001
6	PLATE, MOUNTING, ST, PLATED, ADAPTER, CHASSIS	1	JB2010
7	SCREW, MACHINE, UNDERCUT, SLT, FLT, 5/16-18 X 5/8	4	JB2013
8	WHEEL, BLOWER, ST, 6.25 OD X 4.0W 1/2" SHAFT W/KEYWAY	1	JB2007
9	SHAFT, BLOWER, STEEL, 0.50 DIA. X 9.562 LONG KEY WAY	1	JB2008
10	RING, RETAINER, EXTERIOR, STEEL, 1/2	2	JB2015
11	FLANGE, ALUMINUM, RETAINER, BEARING, N-FLANG	1	JB2009
12	PULLEY, CRS, SG, 1-3/4 OD X 1/2 ID (3L BELT)	1	JD3233-04
13	BELT, VEE, FHP, 3L230	1	JD3509
14	BEARING, BALL, 1.375OD X .500 ID X .437 WIDE	2	JB2011
15	SCREW, SET, HEX-SKT, KNURL-PNT, 5/16-24 X 3/8L	1	JB2017
16	NUT, LOCK, FLANGE, HEX, SERR, ST, PL, 5/16-18	2	JE 755
17	PLATE, MOUNTING, PUMP, FUEL, STEEL, PAINTED	1	JB2005
18 Assy See Fig 1-8	PUMP, FUEL, ASSY, JENNY-BURNER	1	JP7738
19	SCREW, FLANGE, HEX, SERR, ST, PL, 5/16-18 X 1"	2	JD 557
20	PLATE, COVER, SLOT, STEEL, PLATED, 18GA X 1 X 2.5	1	JB2004
21	SCREW, SELFTAP, HEX, SERRATED, FLT, 10-24 X 3/8	1	JB2014
22	SCREW, SLF DRL, HEX, WASHER, PLATED #10 X 5/8	3	JD7074-A
23	KEY,STEEL,WOODRUFF,1/8"#404	1	JD 950-03
24	KEY,STEEL,PLATED,1/8X1/8X2-1/8"LONG	1	JD 950-02
25	WASHER,LOCK,SPLIT,STEEL,PLATED,5/16"	2	JD 612
26	WASHER,FLAT,STEEL,PLATED,5/16	2	JD 894
27	PULLEY,CRS,SG,1-3/4"ODX5/16"ID (3L BELT)	1	JD3233-03



ITEM NO.	QTY.	DESCRIPTION	PART NO.
1	1	VALVE, SOLENOID, SOLUTION, 12V, 1/4NPT	JD2162-D
2	1	BRACKET, MOUNTING, SOLUTION, SOLENOID	JD7760
3	1	BARB, HOSE, ELBOW, MALE, BRASS, 1/4HS X 1/4 NPT	JD7078
4	2	CLAMP, SLEEVE, PLASTIC, 3/8 I.D.	JD2759
5	1	TUBING, PVC, CLEAR, 3/8 O.D. X 1/4 I.D.	JD3087
6	1	BARB HOSE 1/4 HS X 1/4 NPT	JD2765
7	2	SCREW, SLF, DRL, HEX WASHER, PLTD, #10 X 5/8	JD7074-A
8	2	SCREW, MACHINE, PHILLIPS, ST, PL, 10-32 X 3/8	JD3234
9	2	WASHER, LOCK, SPLIT, STEEL, PLATED, #10	JD624
10	1	CONNECTOR, SOLENOID, RELIEF, STRAIN, DIN	JD7703

FIGURE 20-1 (VALVE, SOLUTION, SOLENOID, JD2162-D, ASSY)



Item	Qty	Description	Dwg. No.	Material	Size	Remarks
DESCR				JENNY PRODUCTS INC. 877 North Lincoln Avenue Sayreville, PA 15201 Ph: (814) 925-3700 Fax: (814) 445-2280		
DRAWN	RLS		8/3/01			
CHECKED						
APPROV						
TOLERANCE						
INCHES METRIC						
±.0005 ±.002 ±.001 ±.001 ±.001 ±.001						
ANGLES = 1/4°						
VACUUM FINISH						
TITLE DIAGRAM WIRE OMP, HPW & COMB, WITH MAGNETO						
SCALE DRAWING NO. NTS JW 125						
SIZE OF REV.						

Item	Qty	Description	Dwg. No.	Material	Size	Remarks
DESCR				JENNY PRODUCTS INC. 877 North Lincoln Avenue Sayreville, PA 15201 Ph: (814) 925-3700 Fax: (814) 445-2280		
DRAWN	RLS		8/3/01			
CHECKED						
APPROV						
TOLERANCE						
INCHES METRIC						
±.0005 ±.002 ±.001 ±.001 ±.001 ±.001						
ANGLES = 1/4°						
VACUUM FINISH						
TITLE DIAGRAM WIRE OMP, HPW & COMB, WITH MAGNETO						
SCALE DRAWING NO. NTS JW 125						
SIZE OF REV.						