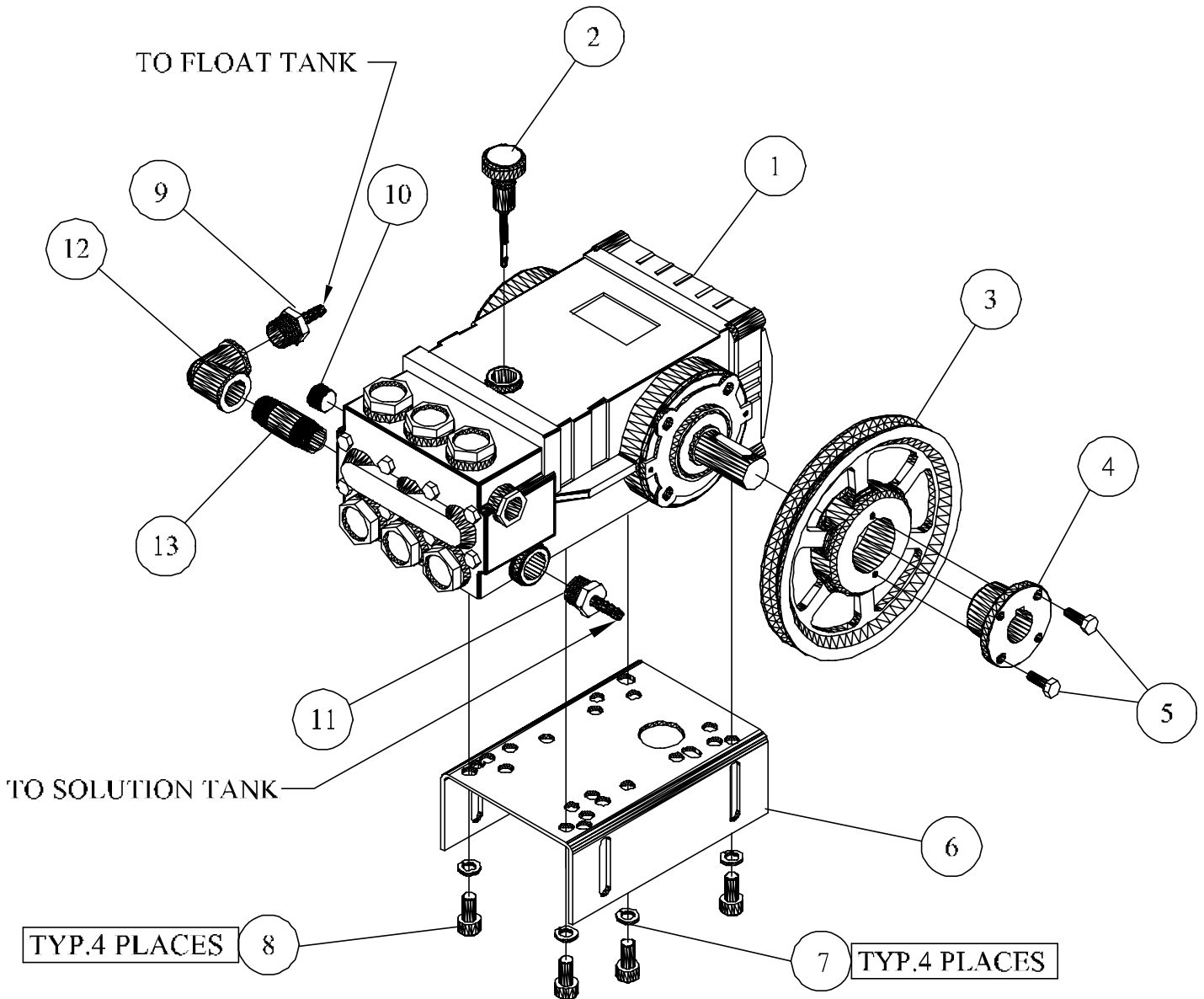


753-C, OEP, N/C, JB 115V/60/1PH			
PARTS LIST			
Notes: Figure 20- (common Parts)			
Electrical Dia. Files Jw 100			
ITEM NO.	DESCRIPTION	QTY.	PART NO.
1	CHASSIS, CHANNEL, MAIN, ST, PAINTED, OIL FIRED	1	JD8000
2	ASSY SEE FIG 1-10 BLOWER, AIR, ASSY, 6" OD X 4" W X 1/2" SHAFT	1	JB2000
3	ASSY SEE FIG 1-2 BURNER, GUN, OIL, DOUBLE, ELECTRODE	1	JB1000
4	ASSY SEE FIG 1-4 TANK, FLOAT, ASSY, W/FITTING, CMB, OEP	1	JD8245-A
5	TANK, FUEL, BOLT-ON, STEEL, PAINTED, 6 GALLON	1	JD8003
6	CASING, COIL, BOLT-ON, STEEL, PAINTED, SMALL	1	JB8001
7	GROMMET, RUBBER BLACK, 1-1/2 I.D.	2	JP 675
8	DISC, INSULATION, CERAMIC, 14-3/8 OD X 4-1/8 X 3/8	1	JD7238-A
9	COIL, OIL, FIRED, 3/8" PIPE, SCH40	1	JP6379
10	ELBOW FEMALE, STEEL, PLATED, 3/8 NPT	1	JD 691
11	CORD SET, VALVE, SOLENOID, FUEL, SUNTEC	1	JD3306-E
12	TEE, FEMALE, STEEL, PLATED, 3/8NPT	1	JD3971
13	PLUG, FUSIBLE, ASSY, 340 DEGREE F	1	JP3921-C
14	TEE, BARB, PLASTIC, 3/8 X 5/8	1	JD7823
15	HOSE, FUEL, ASSY, 1/4" X 42" L, HP W	2	JD8246
16	HOSE, SOLVENT, NEOPRENE, 1/2" I.D.	3	JD 946
17	TUBING, PVC, REINFORCED, 3/8" I.D.	1	JD7575
18	HOSE, RUBBER, GARDEN, 5/8	1	JL 146
19	ASSY SEE FIG 1-1 PUMP, MOUNTING & FITTINGS, ASSY, 753 & 1530, OEP	1	JD8300
20	ASSY PANEL, COVER, REAR, STEEL, PAINTED, NS	1	JD8006
21	WIRE, SJO, CPE, BLACK, 12/3	2.5	JE 432
22	CONNECTOR, RELIEF, STRAINER, 1/4-3/8, 1/2NPT	1	JD1687-06
23	BELT, VEE, COG, AX21	1	JD7834
24	PULLEY, CRS, SG, 2.2" OD X 1/2" I.D.	1	JD7835
25	BELT, VEE, COG, AX41	1	JD3950-01
26	BUSHING, PULLEY, TAPERED, 5/8 BORE	1	JD3915-01
27	PULLEY, CI, DG, TH, 2BK47H, 3.7 PDA, 4.1PDB	1	JD3904-05
28	ASSY SEE FIG 1-3 MANIFOLD, FITTINGS, VALVE, 753-C, ASSY, OEP	1	JD8234
29	STRAINER, CHEMICAL, BRASS, 1/4" HOSE BARB	1	JD7140-A
30	MOLDING, RUBBER, FOAM, ADHESIVE, 1/2WX1/8T	1	JD3782-B
31	ASSY SEE FIG 1-5 BOX, JUNCTION, PANEL, FRONT, 110-220/1PH, 30A	1	JE2000
32	ASSY SEE FIG 1-6 PLATE, COVER, PANEL, CONTROL, BOX, JNCT, CMB	1	JD8009-A
33	MOTOR, 2HP, 115-230/60/1725RPM, TEFC, F2, C-F	1	JB3006-D
34	INSULATION, CERAMIC, 1.5X21X43, 8#- DENSITY	1	JP3947-B
35	CASTER, SWIVEL, W/BRAKE, 5" DIA X 2" FACE	1	JD3217-01
36	CASTER, SWIVEL, W/OUT/BRAKE, 5" DIA X 2" FACE	1	JD3217-02
37	AXLE, CHASSIS, STEEL, PLATED, 3/4" OD X 24" O/L	1	JD8010
38	WHEEL, PNEUMATIC, 10" O.D. X 3/4 I.D., BALL BEARING	2	JP2643-F
39	COLLAR, SCREW, SET, STEEL, PLATED, 3/4" I.D.	2	JD7777
40-A	CORD, DROP, GFCI, 120V, 20A, 40FT	1	JD7149-B
40-B	CORD, DROP, GFCI, 240V, 15A, 40FT	1	JD7179-D
41	WIRE, IGNITION, BURNER, ASSY, 50000 V	2	JD8247
42	HOSE, HYD, 3K, PSI, 17" L, 3/8NPTM, 3/8NPTM	1	JD7817
43	HOSE, HYD, 3K, PSI, 36" L, 3/8NPTM, 3/8NPTF	1	JD7818-A
44	TUBING, PVC, CLEAR, 3/8, O.D. X 1/4 I.D.	1.5	JD3087
45	RING, FLAT, CASING, COIL, SS	1	JP 574-A
46	RING, CASING, COIL, SS, 5-15/16 ID	1	JP4813-A
47	COVER, SS, ASSY, OEP, NEW, JB, MACH	1	JD8248
48	RECEPTICAL, CLIP-ON, STEEL, DACROTIZED	6	JP7733-01

49	DECAL,NUMBER,MODEL,753-C,BLUE,LARGE	1	JD8465
50	SCREW, SLF, TAP, PHILLIP, ST, PL, 8-32 X 3/8	10	JD3043
51	SCREW, SLF, DRL, HEX, WASHER, PLTD, #10 X 5/8	7	JD7074-A
52	SCREW, FLANGE, HEX, SERR, ST, PL, 1/4-20 X 1/2	12	JD7904-A
53	SCREW, FLANGE, HEX, SERR, ST, PL, 5/16-18 X 1/2	10	JD7905
54	SCREW, FLANGE, HEX, SERR, ST, PL, 5/16-18 X 3/4	4	JD7905-B
55	SCREW, FLANGE, HEX, SERR, ST, PL, 3/8-16 X 3/4	4	JD7906-A
56	SCREW, CAP, HEX, HD, ST, PL, FLT, 3/8-16 X 2-1/4"	2	JD7035
57	SCREW, CARRIAGE, GR5, ST, PL, 3/8X6	2	JD7798
58	SCREW, SLF, TAP, HEX, WASHER, PLATED, 10-32X 1/2	1	JD6219
59	NUT, LOCK, FLANGE, HEX, SERR, STEEL, PLATED, 5/16-18	4	JD7774-E
60	NUT, LOCK, FLANGE, HEX, SERR, ST, PL, 3/8-16	6	JD7774-F
61	CLAMP, HOSE, GEAR, WORM, SS, 9/16 TO 1-1/16 DIA.	4	JD1229-A
62	CLAMP, GEAR, WORM, SS, 7/32 TO 5/8 DIAMETER	2	JD3068
63	CLIP, SEPARATOR, WIRE, IGNITION, 7MM, 2-WIRE	4	JD7831
64	CLIP, SEPARATOR, WIRE, IGNITION, 7MM, 3-WIRE	2	JD7832
65	PLUG, BUTTON, STEEL, PLATED, 7/8"	1	JD1191
66	FILTER, OIL, FUEL, W/HEAD, 3/8NPT	1	JD2117
	REPLACEMENT, FILTER, OIL, FUEL, CARTRIDGE, SPIN-ON	1	JD2117-01
67	CONNECTOR, MALE, BRASS, 1/4-45 SAE X 3/8 NPT	1	JD1277
68	CONNECTOR, MALE, BRASS, 1/4-45 SAE X 1/4 NPT	1	JD 659
69	CLAMP, SLEEVE, PLASTIC, 3/8 ID	4	JD2759
70 ASSY SEE FIG 1-7	GUN, SCH 80, N/C, W/O, SWIVEL, ASSY, 3/8"	1	JP4261-H
71	NOZZLE, SPRAY, PSI, SS, QCK, CON, 0 DEG, O # 7.0	1	JD7755-06
72	NOZZLE, SPRAY, PSI, SS, QCK, CON, 15DEG, O # 7.0	1	JD7756-06
73	NOZZLE, SPRAY, PSI, SS, QCK, CON, 25 DEG, O # 7.0	1	JD7757-06
74	NOZZLE, SPRAY, PSI, SS, QCK, CON, 40 DEG, O # 7.0	1	JD7758-06
75 ASSY SEE FIG 1-8	NOZZLE, STEAM, COMB., FITTING, 1223-C, OEP, ASSY	1	
76	GROMMET, RUBBER, BLACK, 7/16" I.D.	5	JD3385-01
77	HOSE, COMBINATION, JENNY, 3/8 X 50'	1	JD7624
78	DECAL, NAMEPLATE, OIL, FIRED	1	JD6251-05
79	DECAL, CLEAR, MYLAR	1	JD6251-08
80	CLAMP, HOSE, NYLON, BLACK, .750/.875 DIA	2	JD7859-F
81	CAP, FILLER, FUEL, STEEL, PLATED, 1/4 TURN	1	JD3174
82	PLUG, TRISURE, STEEL, PLATED, 3/4" NPTM	1	JD1339
83	TUBING, COPPER, ASSY, BURNER, F. PUMP-SOL, JB	1	JD1722-U
84	SCREW, PHILLIPS, HEAD, "N", COVER	6	JP7733
85	RETAINER, SCREW, PHILLIPS, HEAD, "N"	6	JP7733-02
86	SCREEN, COVER, MACHINE, ST, PAINTED	1	JP7720-01
87	RIVET,AL,..160-.164HOLE,.063-.125GRP,5/32	6	JP7720-02
88	WASHER,FLAT,SS,7/8ODX5/32IDX20GAUGE	6	JP7720-03
89	DECAL, DANGER, WARNING, CAUTION, LARGE	1	JD7239
90	DECAL, NOTICE, GROUND, 4MILTHK, SYRWHT	1	JD2344-01
NOT SHOWN	TAG, WARNING, ELECTRIC, CORD	1	JD7075
NOT SHOWN	DECAL, CAUTION, FUSIBLE, PLUG, 2 X 3-1/2, LEXAN	1	JD2858
NOT SHOWN	DECAL, PACKED, GROOMED, TESTED	1	JD6013
NOT SHOWN	DECAL, MADE-IN-THE-USA, JENNY	1	JD6211
NOT SHOWN	TAG, TESTED, FUEL	1	JD7196-01
NOT SHOWN	DECAL, FUEL, OIL, MYLAR, BLUE, 1" X 4"	1	JD2345



ITEM NO.	QTY.	DESCRIPTION	PART NO.
1	1	PUMP, PLUNGER, TRIPLEX, 2200 PSI, 4.0 GPM, AR	JD7955
2	1	OIL, DIP, STICK, (RECEIVED W/PUMP)	
3	1	PULLEY, CI, SG, TH, AK66H, 6.2 PDA, 5.86 D3L	JD3904-02
4	1	BUSHING, PULLEY, TAPERED, 24MM BORE	JD3915
5	2	H.H.B.1/4-20 UNC-3/4 CLASS 5 RECEIVED W BUSHING	
6	1	PLATE, MOUNTING, PUMP, STEEL, PAINTED,	JD8016
7	4	WASHER, LOCK, 5/16	JD 612
8	4	SCREW,CAP,HEX,HEAD,ST,PLATED,M8-1.25 X 16MM	JD7258
9	1	BARB, HOSE, MALE, BRASS, 1/2 HS X 1/2 NPTM	JD7077-A
10	1	PLUG, SOCKET, HEX, BRASS, 3/8NPT	JD7151
11	1	BARB, HOSE, MALE, BRASS, 1/4 HS X 1/2 NPTM	JD7826
12	1	ELBOW, FEMALE, BRASS, FORGED, 1/2 NPT	JD 692-02
13	1	NIPPLE, BRASS, 1/2NPT X 1-1/2 LONG	JD3094-01

FIGURE 1-1 (Pump, Mounting, Fitting, JD8300, 753-C, OEP Ass'y)

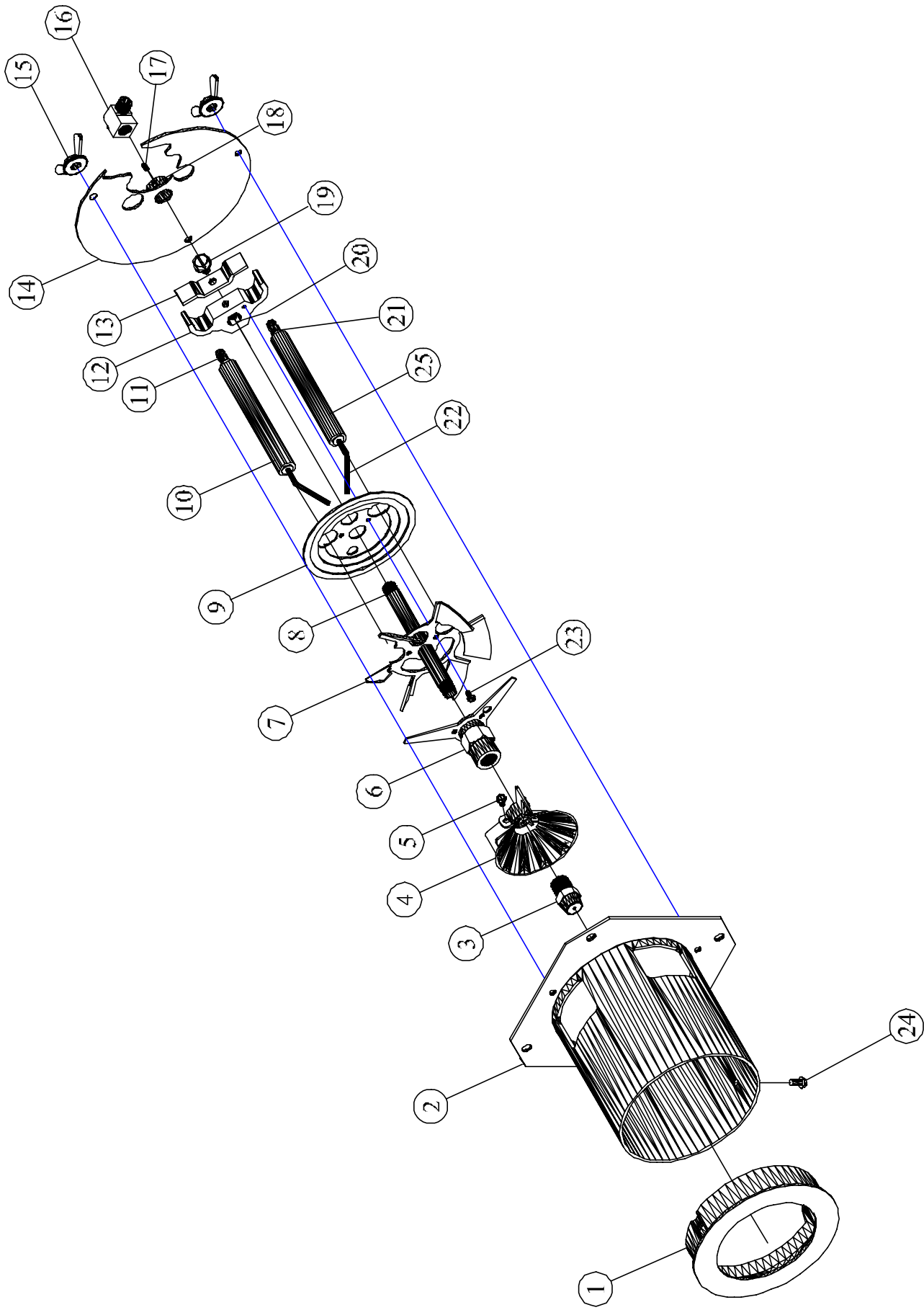
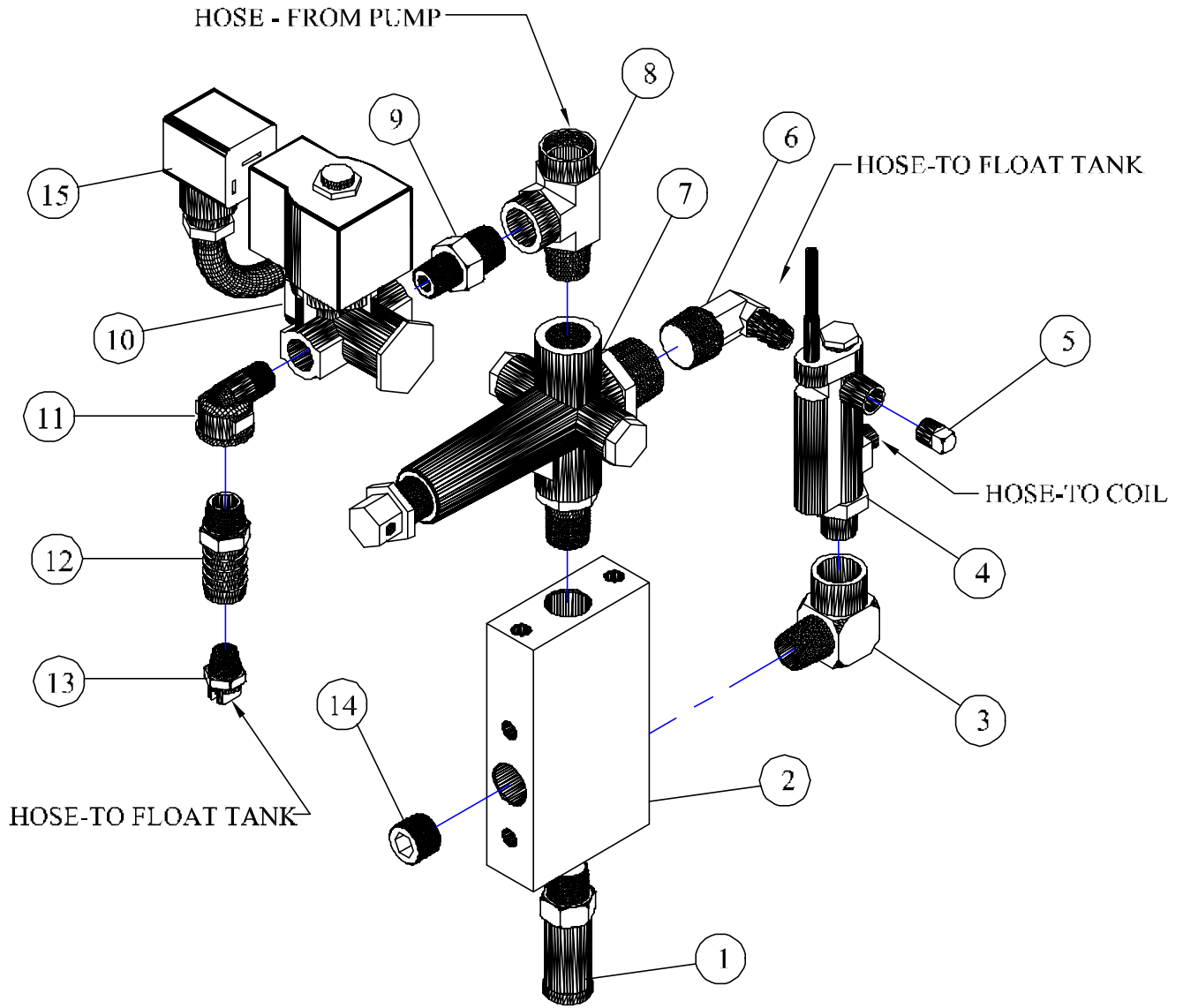


FIGURE 1-2 (Burner, Gun, Oil, Double, Electrode JB1000, 753-C OEP, Assy)

753-C, OEP
BURNER, GUN, OIL, DOUBLE, ELECTRODE
JB1000, ASSY

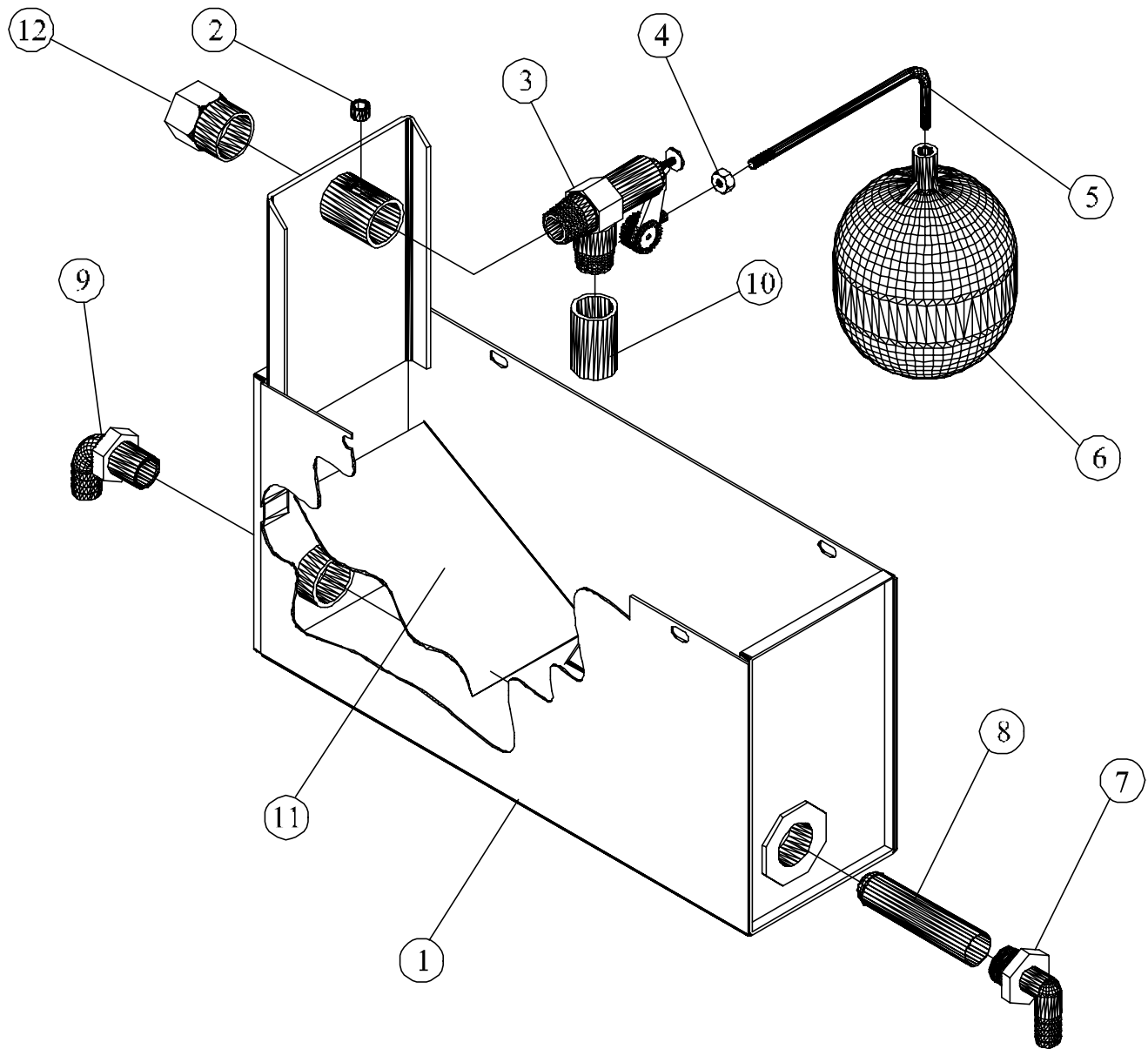
9/26/2001

ITEM NO.	DESCRIPTION	QTY.	PART NO.
1	CONE, AIR, MI, 4.0 O.D. X 3.0 I.D. X .875 LONG	1	JB1002
2	TUBE, AIR, STEEL, 4.25 O.D. X 4.0 I.D. X 4.50 LONG ASSY	1	JB1001
3	NOZZLE, BURNER, OIL, 1.75 GPH, 80 DEG S.C.	1	JB1510
4	FLAME LOCK, STAINLESS, 10 VANE, 2.5" CONE	1	JB1007
5	SCREW, SELF TAP, HEX, WASH, STEEL, PLATED, 6-32 X 3/8	1	JB1014
6	ADAPTER, NOZZLE, BRASS, W/LEG, SUPPORT	1	JB1006
7	WHIRLER, STEEL, PLATED, 6 VANE, 3-11/16 O.D.	1	JD1010
8	NIPPLE, STEEL, SCH40, 1/8" NPT X 4" LONG	1	JB1004
9	PLATE, STEEL, PLATED, DISC, SOLID, 3-3/8 O.D.	1	JB1009
10	INSULATOR, ELECTRODE, CERAMIC, GLAZED, 4"	2	JB1015-01
11	CONNECTOR, SPARK PLUG, RAJAH, 100734-002	2	JB1015-04
12	SUPPORT, ELECTRODE, ALUMINUM	1	JB1008
13	CLAMP, ELECTRODE, STEEL, 13 GA. X .5 X 2.0	1	JB1011
14	PLATE, BURNER, STEEL, 14 GA X 5.25 DIAMETER	1	JB1003
15	NUT, WING, STEEL, FORGED, PLATED, 10-24	3	JD2186
16	ELBOW, FEMALE, BRASS, 1/4-45 SAE X 1/8 NPTF	1	JB1018
17	SCREW, SET, HEX, CUP POINT, NYLK, 1/4-20X1/4	1	JE 895
18	COLLAR, STEEL, .875 O.D. X .437 I.D. X .437 LONG	1	JB1005
19	SCREW, MACHINE, HEX, WSHR, ST, PLATED, 10-24 X 5/16	1	JB1013
20	SCREW, SET, HEX, CUP POINT, 10-24 X 1/4	1	JB1012
21	NUT, LOCK, FLANGE, HEX, ST, PL, #6-32	2	JB1015-03
22	ELECTRODE, BENT RADIUS, TUNGSTEN	2	JB1015-02
23	SCREW, SELFTAP, HEX WASH, ST, PL, 4-40 X 3/8	1	JB1016
24	SCREW, MACHINE, PHILLIPS, ST, PL, FL, 8-32 X 3/8	1	JB1017
25	ELECTRODE, 4" CERAMIC, POINTED, BENT RADIUS	2	JB1015



ITEM NO.	QTY.	DESCRIPTION	PART NO.
1	1	VALVE, RELIEF, 0-1200PSI, 160F, 3/8NPTM	JD7048-D
2	1	MANIFOLD, FITTING, STEEL, PLATED, ALL, UNITS	JP7716
3	1	ELBOW, STREET, STEEL, PLATED, 3/8NPT	JD3717-03
4	1	SWITCH, FLOW, SP, ST, NO, 20VA, 3/8NPTM	JD7279
		REPLACEMENT, REED, SWITCH, ASSY W/47" LEAD	JD7279-01
5	1	PLUG, HEAD, SQUARE, BRASS, 1/4NPT	JD 679-02
6	1	BARB, HOSE, ELBOW, MALE, BRASS, 3/8HS X 1/2 NPTM	JD7150-01
7	1	VALVE, UNLOAD, FLW, ACT 400-1450PSI, 2.1-2.9	JD3325
8	1	TEE, STREET, STEEL, PLATED, 3/8" NPT	JD 860-02
9	1	NIPPLE, STEEL, HEX, PLATED, 1/4NPTM X 3/8NPTM	JD 732-03
10	1	VALVE, SOLENOID, BYPASS, 24V, 1/4NPT	JD3063-E
11	1	ELBOW, REDUCER, BRASS, STREET, 90DEG, 3/8F X 1/4M	JD7825
12	1	BARB, HOSE, MALE, BRASS, TAPPED, 1/4, 5/8HSX3/8	JP6898
13	1	NOZZLE, SPRAY, PSI, WASH, SS, 1/4MEG-25075	JD3907
14	1	PLUG, SOCKET, HEX, BRASS, 3/8NPT	JD 7151
15	1	CONNECTOR, SOLENOID, RELIEF, STRAINER, DIN	JD7703

FIGURE 1-3 (Manifold, Valve, Fitting, JD8234, 753-C, Oep Ass'y)



ITEM NO.	QTY.	DESCRIPTION	PART NO.
1	1	TANK, FLOAT, BOLT-ON, JB	JD8015
2	1	PLUG, SOCKET, HEX, BRASS, 1/8NPT	JD7243
3	1	VALVE, FLOAT, BRASS, 60PSI, 1/2"NPTM	JD2988-B
4	1	NUT, HEX, STEEL, PLATED, 1/4-20	JD 791
5	1	ROD, FLOAT, BENT, BRASS, 1/4 X 5-5/8 LG X 1/4-20	JD1416-02
6	1	BALL, FLOAT, PLASTIC, BLACK	JD1416-01
7	1	BARB, HOSE, ELBOW, MALE, BRASS, 1/2HS X 3/4NPT	JD7058
8	1	STRAINER, WATER, SS, 30MESH, 47/64 O.D. X 3-1/8 LG	JD3843-B
9	1	ELBOW, BARB, HOSE, MALE, PLASTIC, 5/8HS X 3/4 NP	JD3663
10	1	HOSE, RUBBER, BLACK, 3/4	JE 558
11	1	BAFFLE, TANK, FLOAT, REMOVABLE	JP3385-08
12	1	CONNECTOR, BR, 3/4 GARDEN HOSE X 1/2 NPTM, SWIV	JD7142

FIGURE 1-4 (Tank, Float, Fitting, JD8245-A, 753 -C, OEP, Ass'y)

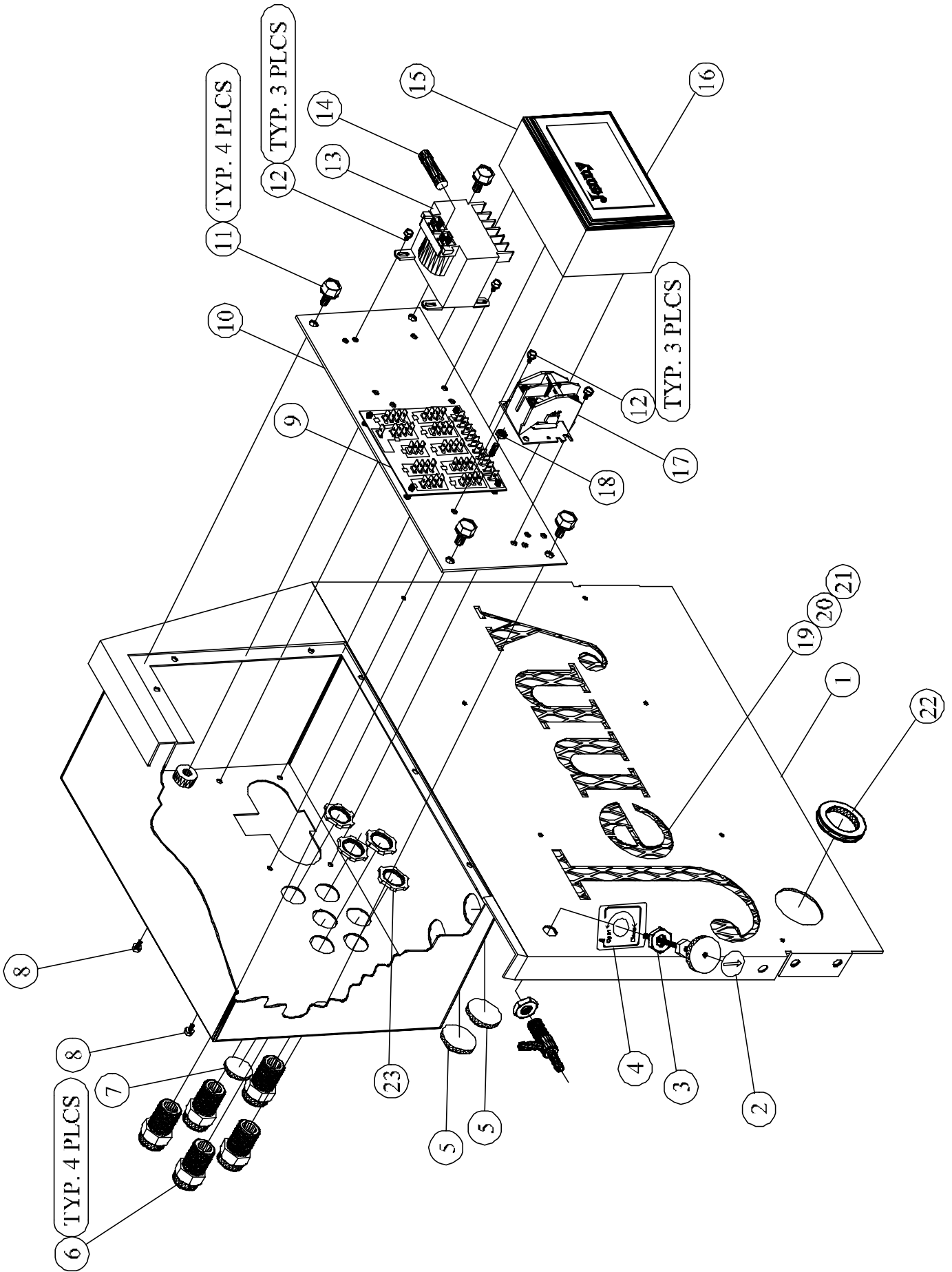
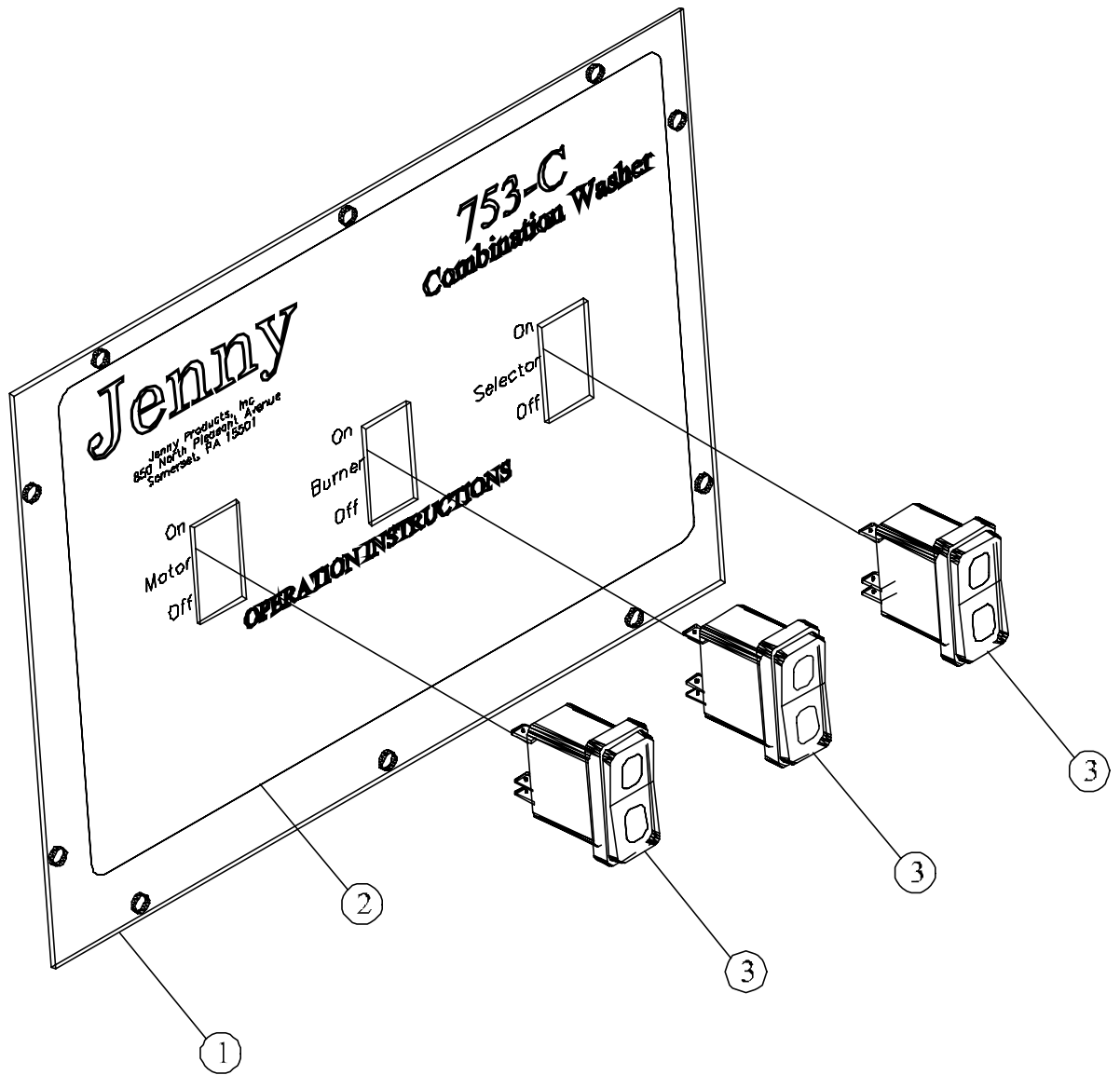


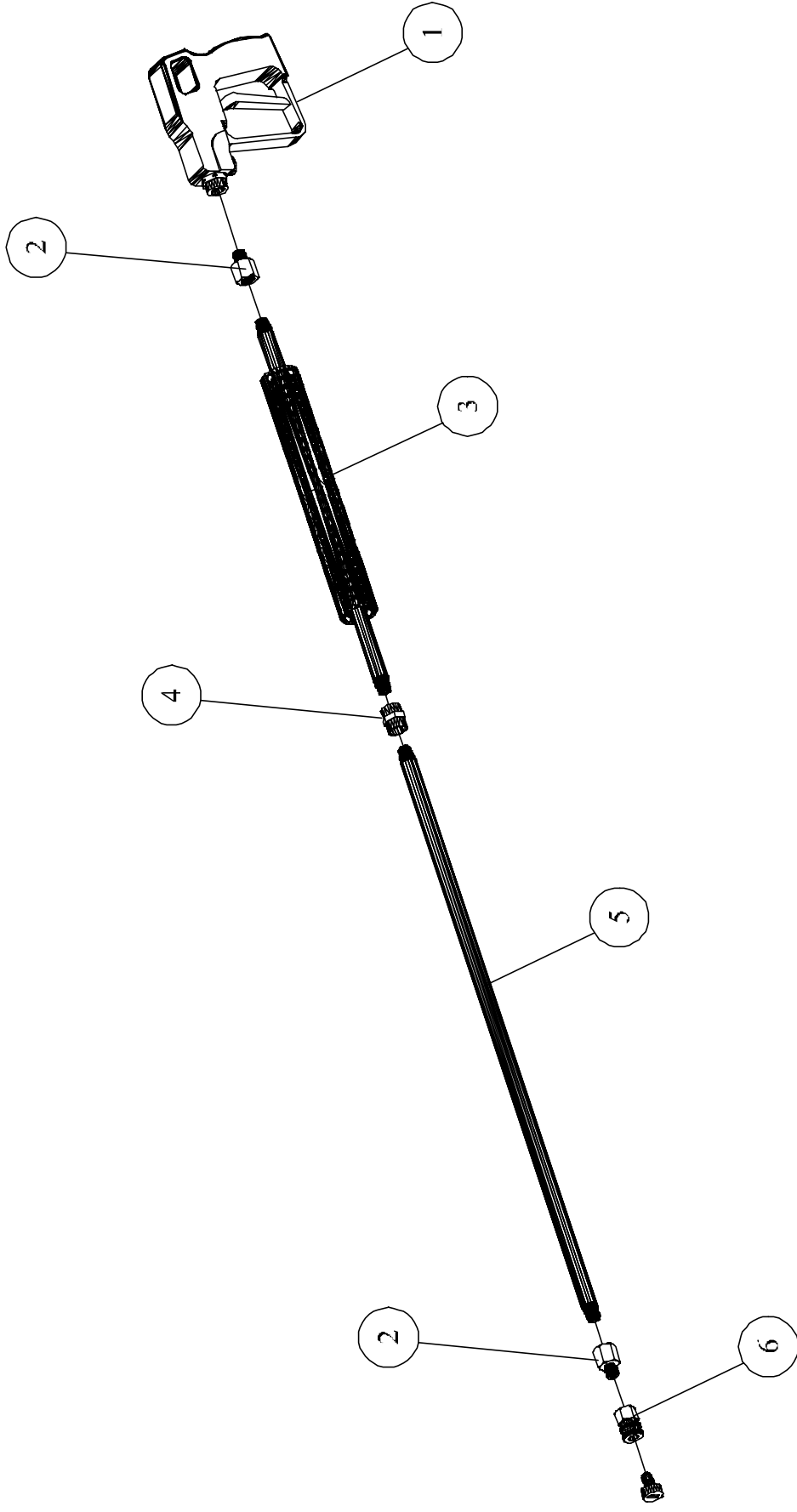
FIGURE 1-5(Box, Junction, Panel, Front, 110-220 / 1PH, 30A, JE2000, 753-C OEP, Assy)

ITEM NO.	DESCRIPTION	QTY.	PART NO.
1	PANEL,CONTROL,BOX,JUNCTION,STEEL,PAINTED	1	JD8007
2	DECAL,INDICATOR,HANDLE,VALVE,SOLUTION	1	JD7143
3	VALVE,NEEDLE,SOLUTION,BRASS,1/4 IDHS-BARB	1	JD6248-A
4	DECAL,SOLUTION,METERING,VALVE	1	JD7821
5	PLUG,HOLE,PLASTIC,BLACK,1.093"	2	JD3856-05
6	CONNECTOR,RELIEF,STRAINER,5/8-3/4,3/4 NPTM	5	JD1687-06
7	PLUG,HOLE,PLASTIC,BLACK,7/8"	1	JD3856
8	SCREW,FLANGE,HEX,SERR,ST,PL,6-32 X 3/8	4	JD7900-A
9	BOARD,CIRCUIT,PRINTED,ALL,MACHINE	1	JB5000
10	PLATE,MOUNTING,PANEL,CONTROL,BOX,INCT,ST	1	JD8008
11	SCREW,FLANGE,HEX,SERR,ST,PL,1/4-20 X 3/8	4	JD7904
12	SCREW,FLANGE,HEX,SERR,ST,PL,8-32 X 3/8	6	JD7901-B
13	TRANSFORMER,CONTROL,OPN,100VA,120-460 VP,24V	1	JD2868
14	FUSE,ELEMENT,DUAL,DELAY,TIME,250V,6AMP	1	JD3107-11
15	TRANSFORMER,IGNITION,24V,PRIM,18000V,SEC	1	JB1502
16	PLATE,NAME,ALUM,TRANSFORMER,IGNITION,24V	1	JB1502-01
17	CONTACTOR,DP,OP,2P,30A,24V	1	JP3530-D
18	NUT,HEX,STEEL,PLATED,10-32	1	JD 781
19	SCREEN,COVER,MACHINE,STEEL,PAINTED	1	JP7720-01
20	WASHER,FLAT,SS,7/8 O.D X 5/32 I.D. X 20 GA	8	JP7720- 03
21	RIVET,AL,.160-.164 HOLE,.063-.125 GRP,5/32	8	JP7720-02
22	GROMMET,RUBBER,BLACK,1-1/2 I.D.	1	JP 675
23	NUT,LOCK,CONDUIT,STEEL,PLATED,1/2"	5	JP 809



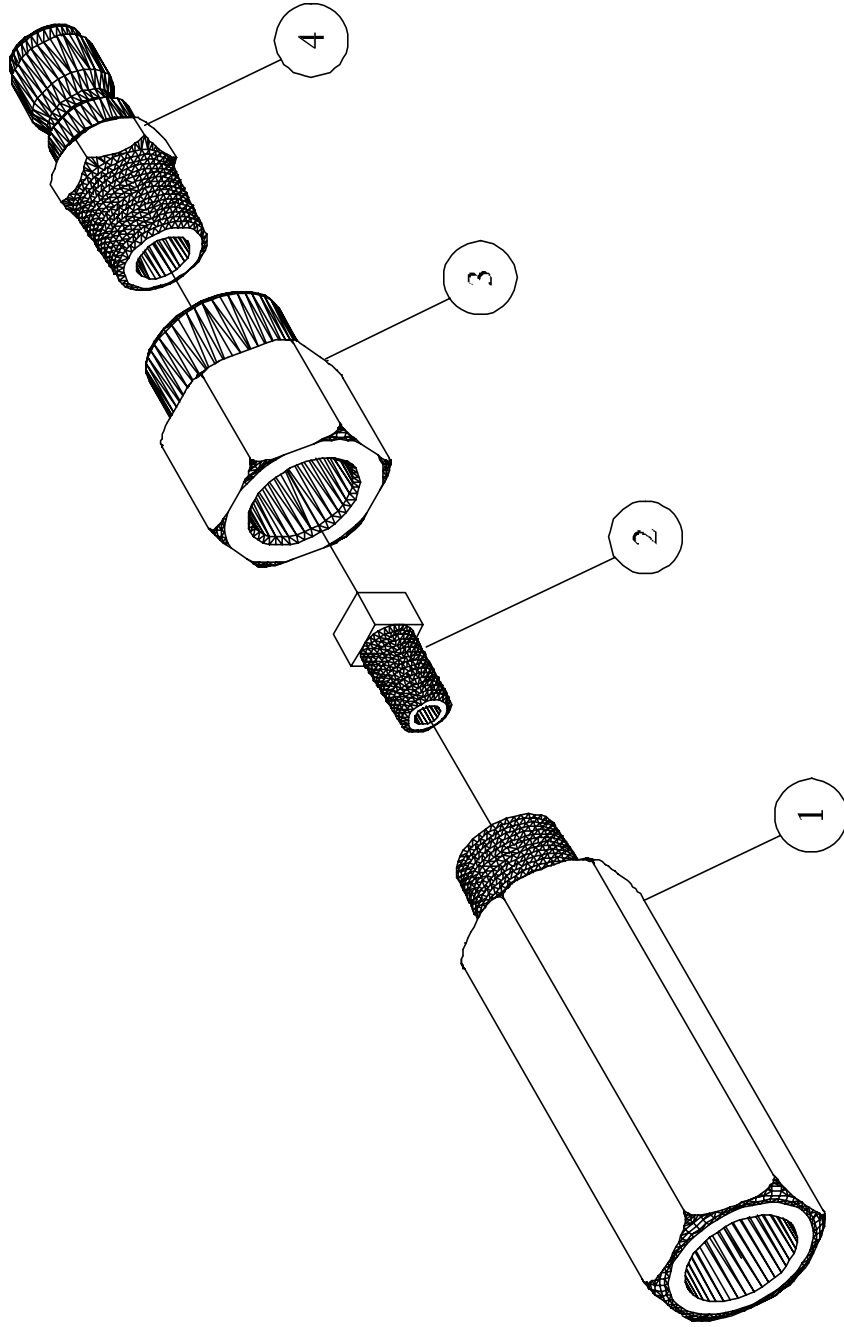
ITEM NO.	QTY.	DESCRIPTION	PART NO.
1	1	PLATE, COVER, PANEL, CONTROL, BOX, JUNC, CMB	JD8009-A
2	1	DECAL, PANEL, INSTRUCTION, 753-C, OEP & GES	JD8415
3	3	SWITCH, ROCKER, SP, ST, 10A, 24V, LED, LIGHT	JE1004

FIGURE 1-6(Plate, Cover, Panel, Control, Box, Junction CMB,753-C, OEP, Ass'y)



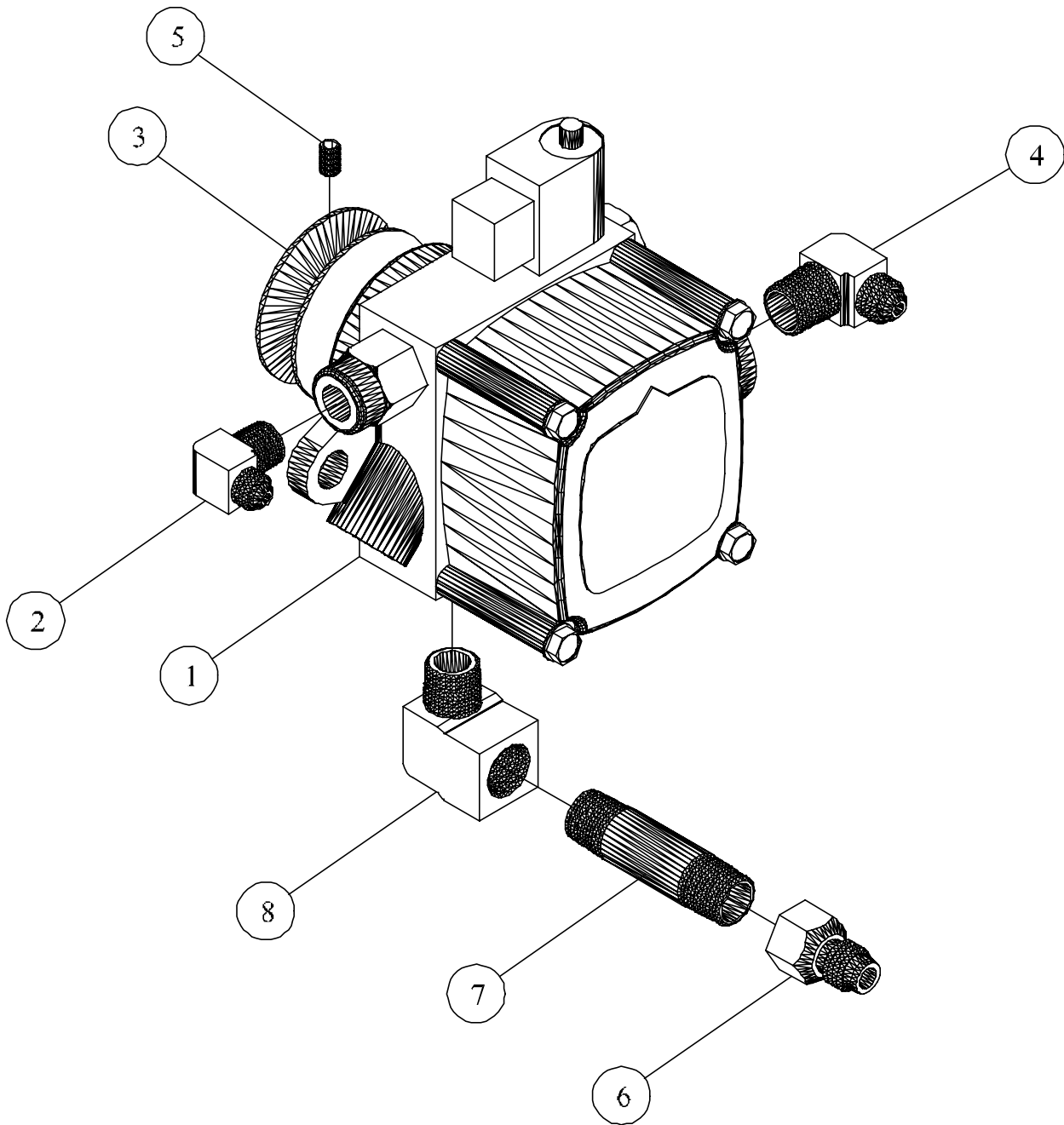
ITEM NO.	QTY.	DESCRIPTION	PART NO.
1	1	GUN, TRIGGER, 3000PSI, 8GPM, 320F	JD6068-B
2	2	ADAPTER, EXPANDING, STEEL, PLATED, 1/4M X 3/8F	JD6224
3	1	HANDLE, PERFORATED, SCH80, STEEL, ASSY, 3/8	JE 280-E
4	1	COUPLING, HEX, STEEL, PLATED, 3/8NPT X 3/8NPT	JD 907-04
5	1	NIPPLE, STEEL, SCH80, 3/8NPT X 28 LONG	JD 963
6	1	SOCKET, QUICK, COUPLING, BRASS, 1/4M X 3/8F	JD3102-02

FIGURE 1-7 (GUN, SCH80, N/C, W/O, SWIVEL, ASSY, 3/8", JP4261-H)



ITEM NO.	QTY.	DESCRIPTION	PART NO.
1	1	NOZZLE, STEAM, 3/4 HEX, STEEL, PLATED, 3/8 X 3/8	JP3308-B
2	1	ORIFICE, STEAM, SS, #48	JP3175-10
3	1	COUPLING, HEX, BRASS, 3/8NPTF X 1/4 NPTF	JD 920-01
4	1	PLUG QUICK, COUPLING, BRASS, 1/4" NPTM	JD3103-04

FIGURE 1-8 (NOZZLE, STEAM, COMBINATION, FITTING, 753-C, ASSY)

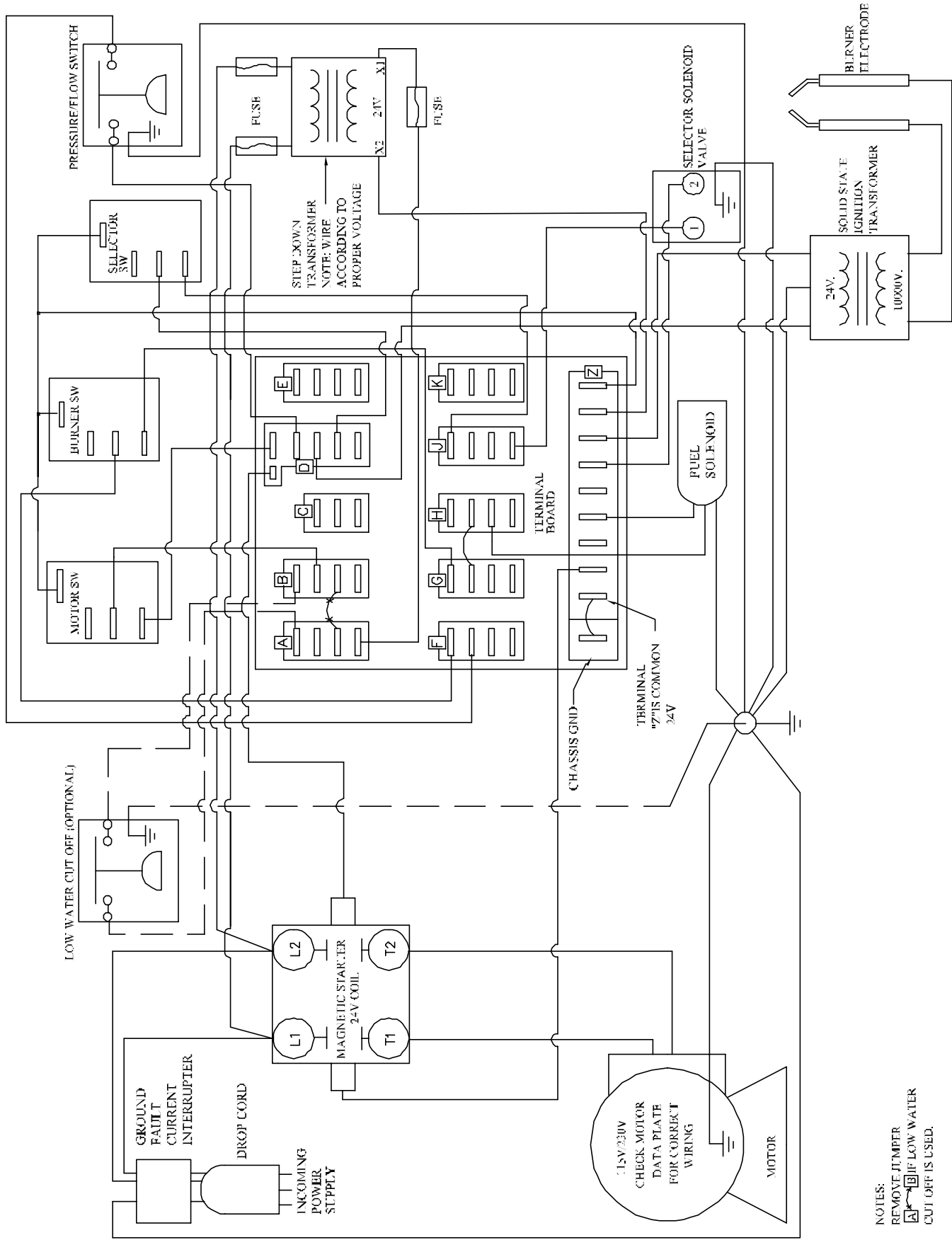


ITEM NO.	QTY.	DESCRIPTION	PART NO.
1	1	PUMP, OIL, FUEL, SNGLSTGE, 3GPM, 3450RPM, 24V	JD3306-F
2	1	ELBOW, MALE, BRASS, 1/4-45 SAE X 1/8 NPT	JD 651
3	1	PULLEY, CRS, SG, 1-3/4" OD X 5/16" ID (3L BELT)	JD3233-03
4	1	ELBOW, MALE, BRASS, 1/4-45 SAE X 1/4 NPT	JD 652
5	1	SCREW, SET, HEX, SOC, CUP, PNT, NYLK, 8-32X3/16	JD3241
6	1	CONNECTOR, FEMALE, BRASS, 1/4"-45° SAE X 1/4NPT	JD2391
7	1	NIPPLE, BRASS, 1/4 NPT X 2 LONG	JD 745-01
8	1	ELBOW, STREET, BRASS, 1/4 NPT	JD 670

FIGURE 1-9 (PUMP, FUEL, JENNY-BURNER, JP7738, 753-C OEP, ASSY)

753-C OEP, Blower, Air, JB2000
6" ODX 4"W X 1/2" Shaft Assy

ITEM NO.	DESCRIPTION	QTY.	PART NO.
1	SCREW, MACHINE, HEX, SERR, ST, PL, 5/16-18 X 7/8	5	JB2012
2	RETAINER, BEARING, ALUMINUM, BAND, AIR	1	JB2006
3	BAND, AIR, OUTER, STEEL, PLATED, 8 HOLE	1	JB2003
4	BAND, AIR, INNER, STEEL, PLATED, 7 HOLE	1	JB2002
5	HOUSING, BLOWER, ALUMINUM, 6.25OD X 4.0 WHEEL	1	JB2001
6	PLATE, MOUNTING, ST, PLATED, ADAPTER, CHASSIS	1	JB2010
7	SCREW, MACHINE, UNDERCUT, SLT, FLT, 5/16-18 X 5/8	4	JB2013
8	WHEEL, BLOWER, ST, 6.25 OD X 4.0W 1/2" SHAFT	1	JB2007
9	SHAFT, BLOWER, STEEL, 0.50 DIA. X 9.562 LONG	1	JB2008
10	RING, RETAINER, EXTERIOR, STEEL, 1/2	2	JB2015
11	FLANGE, ALUMINUM, RETAINER, BEARING, N-FLANG	1	JB2009
12	PULLEY, CRS, SG, 1-3/4 OD X 1/2 ID (3L BELT)	1	JD3233-04
13	BELT, VEE, FHP, 3L230	1	JD3509
14	BEARING, BALL, 1.375OD X .500 ID X .437 WIDE (LOCK-TIGHT ON)	2	JB2011
15	SCREW, SET, HEX-SKT, KNURL-PNT, 5/16-24 X 3/8L	1	JB2017
16	NUT, LOCK, FLANGE, HEX, SERR, ST, PL, 5/16-18	2	JD7774-E
17	PLATE, MOUNTING, PUMP, FUEL, STEEL, PAINTED	1	JB2005
18	ASSY SEE FIG 1-9 PUMP, FUEL, ASSY, JENNY-BURNER	1	JP7738
19	SCREW, FLANGE, HEX, SERR, ST, PL, 5/16-18 X 3/4	2	JD7905-B
20	PLATE, COVER, SLOT, STEEL, PLATED, 18GA X 1 X 2.5	1	JB2004
21	SCREW, SELFTAP, HEX, SERRATED, FLT, 10-24 X 3/8	1	JB2014
22	SCREW, SLF DRL, HEX, WASHER, PLATED #10 X 5/8	3	JD7074-A
23	PULLEY, CRS, SG, 1-3/4" ODX 5/16" ID (3L BELT)	1	JD3233-03



NOTES:
 REMOVE JUMPER
 IF LOW WATER
 CUT OFF IS USED.

(Electrical Schematic Diagram) Oil Fired Combination, Hot Pressure Washer/ Steam Cleaner W/ Mom-On, 115- 230 1PH, JB File Name: JW 100