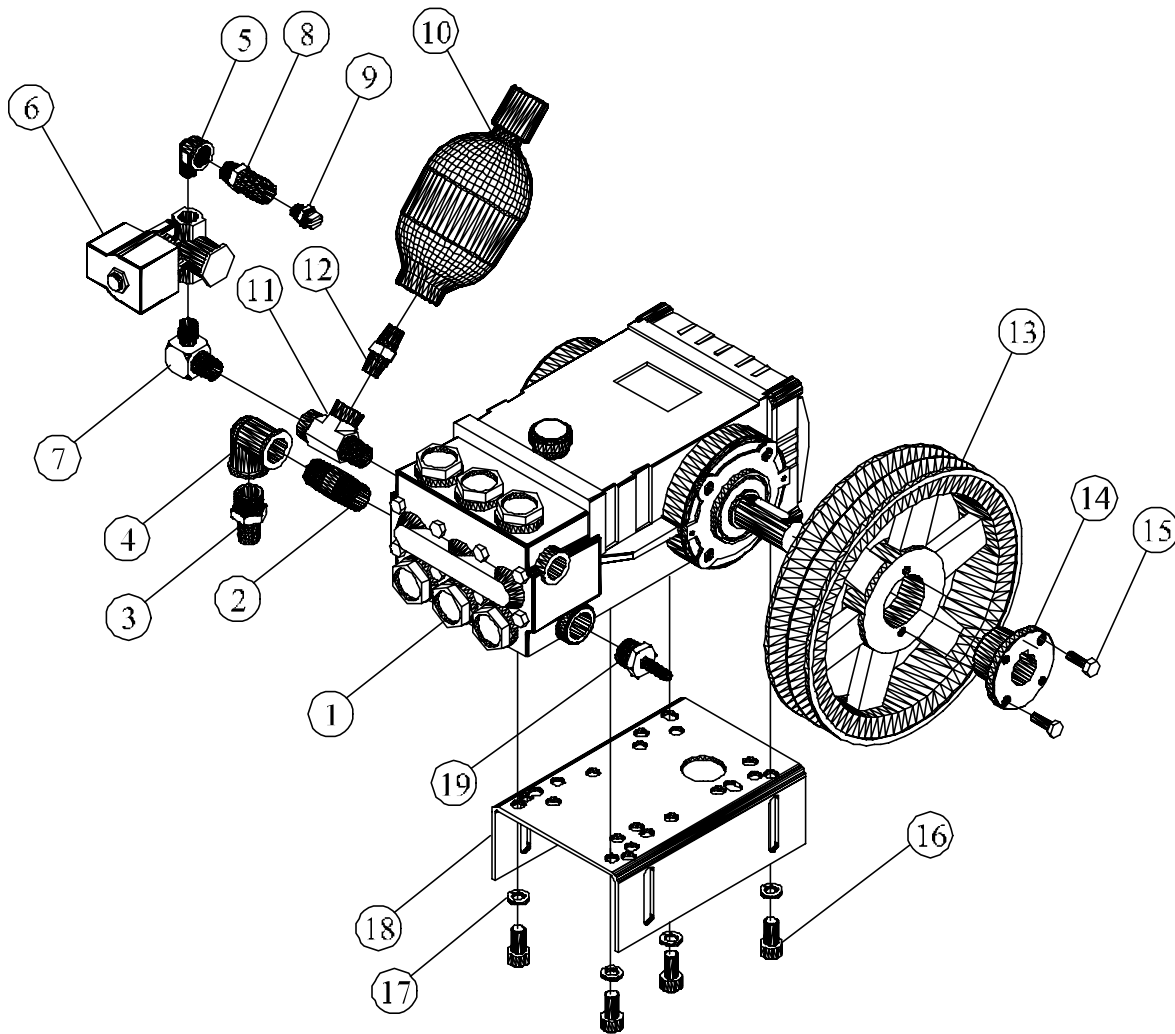




<b>1550-C OMP,ES,N/C,JB,MAG</b>			
<b>PARTS LIST</b>			
<b>Notes: Figure 20- (Common Parts)</b>			
<b>Electrical Dia. Files Jw 125</b>			
<b>ITEM NO.</b>	<b>DESCRIPTION</b>	<b>QTY.</b>	<b>PART NO.</b>
1	CHASSIS,CHANNEL,MAIN,ST,PAINTED,OILFIRED	1	JD8000
2 ASSY SEE FIG 1-8	BLOWER,AIR,ASSY,6"ODX4"WX1/2"SHAFT	1	JB2000
3 ASSY SEE FIG 1-2	BURNER,GUN,OIL,DOUBLE ELECTRODE	1	JB1000
4 ASSY SEE FIG 1-4	TANK,FLOAT,ASSY,W/FITTINGS,1550-C,CMB	1	JD8245-A
5	CASING,COIL,BOLT-ON,STEEL,PAINTED,LARGE	1	JD8002
6	COIL,OIL FIRED,3/8"PIPE,SCH40	1	JP2610
7	POT,FIRE,SS	1	JL 133
8	DISC,INSULATION,CERAMIC,14-3/8ODX4-1/8X3/8	1	JD7238-A
9	CORDSET,VALVE,SOLENOID,FUEL,SUNTEC	1	JD3306-E
10	TEE,FEMALE,STEEL,PLATED,3/8NPT	1	JD3971
11	NIPPLE,STEEL,SCH80,3/8NPTX2-3/4LONG	1	JD 968
12	ELBOW,FEMALE,BRASS,FORGED,3/8NPTF	1	JD 691-01
13	THERMOSTAT,IMMERSION,SP,ST,NC,340 DEG F	1	JD7137-A
14 ASSY SEE FIG 1-11	COMBINATION,MACHINE,BYPASS,HOSE,FITTING,ASSY	1	
15	HOSE,FUEL,ASSY,1/4"X42"L,HPW	2	JD8246
16 ASSY SEE FIG 1-1	PUMP,MOUNTING&FITTING,ASSY,1550-C,OMP,GEN	1	JD8320-A
	OIL,PUMP,SYNTHETIC,HIGH-PERFORMANCE,1 QT	1	JD7999-A
	OIL,PUMP,SYNTHETIC,HIGH-PERFORMANCE,1 PT	1	JD7999-B
17 ASSY SEE FIG 1-3	MANIFOLD,FITTINGS,VALVE,1550-C,ASSY,OMP	1	JD8242
18	PANEL,COVER,REAR,STEEL,PAINTED,NS	1	JD8006
19	PLATE,STIFFNER,ENGINE,GASOLINE,STEEL,OMP	1	JD8019
20 ASSY SEE FIG 1-5	MAGNETO,IGNITION,FM,CCW, ASSY	1	JD 942-A
SEE FIG 1-6	MAGNETO,IGNITION,FM,CCW, PARTS BREAK DOWN		
21	ENGINE,GASOLINE,KOHLER,13HP,E.S.	1	JD7781
22	PULLEY,ALUM,SG,4.04ODX.501ID,(A39X1/2"G) W/ KEYWAY	1	JD7986
23	BELT,VEE,FHP,COG,4L210	1	JD7896
24	BELT,VEE,FHP,COG,3L290	1	JD3315-02
25	PULLEY,CRS,SG,1-3/4ODX1/2ID(3L BELT) W/KEY WAY	1	JD3233-04
26	BELT,VEE,COG,BX43	2	JD3959-07
27	COVER,SS,ASSY,OMP,NEW,JB,MACH	1	JD8249
28 ASSY SEE FIG 1-7	PANEL,COVER,FRONT,ST,PAINTED,OMP,CMB,JB	1	JD8013-A
29	TUBING,PVC,REINFORCED,3/8"ID	1	JD7575
30	BRACKET,BATTERY,STEEL,PAINTED,OMP,JB	1	JD8017
31	TRAY,BATTERY,STEEL,PAINTED,LARGE,CPW	1	JD7775-G
32	BOX,BATTERY,PLASTIC,BLACK,11X7-1/2X8-3/4	1	JD7769
33	CASTER,SWIVEL,W/BRAKE,5"DIA X 2"FACE	1	JD3217-01
34	CASTER,SWIVEL,W/OBRAKE,5"DIA X 2"FACE	1	JD3217-02
35	AXLE,CHASSIS,STEEL,PLATED,3/4"ODX24"O/L	1	JD8010
36	WHEEL,PNEUMATIC,10"ODX3/4"ID,BALLBEARING	2	JP2643-F
37	WIRE,IGNITION,BURNER,MAGNETO,ASSY,34"	1	JP3950-M
38	COLLAR,SCREW,SET,STEEL,PLATED,3/4"ID	2	JD7777
39	WIRE,IGNITION,BURNER,ASSY,27.5"	1	JP3950-F
40	TUBING,PVC,CLEAR,3/8ODX1/4ID	4	JD3087
41	RING,CASING,COIL,SS,7-15/16ID	1	JD2140-B
42	GROMMET,RUBBER,BLACK,7/16"ID.	5	JD3385-01
43 ASSY SEE FIG 1-10	NOZZLE,STEAM,3/4HEX,STEEL,PLATED,TAPPED	1	JP3308-B
44	WASHER,LOCK,SPLIT,STEEL,PLATED,3/8"	14	JD 613
45	RETAINER,SCREW,PHILLIPS,HEAD,"N"	6	JP7733-02
46	RECEPTICAL,CLIP-ON,STEEL,DACROTIZED	6	JP7733-01
47	DECAL,NUMBER,MODEL,1550-C,BLUE,LARGE	2	JD8469
48	SCREW,SLF DRL,HEX WASHER,PLTD,#10x5/8	10	JD7074-A
49	CLAMP,GEAR,WORM,SS,7/16 TO 25/32" DIA.	2	JD3068
50	SCREW,CAP,HEX HD,ST,PL,3/8-16X3/4"	4	JD 561
51	SCREW,CAP,HEX HD,ST,PL,5/16-18X3/4"	12	JD 556

52	SCREW,CAP,HEX HD,ST,PL,FLT,3/8-16X2-1/4"	2	JD7035
53	SCREW,CARRIAGE,GR5,ST,PL,3/8X6	2	JD7798
54	NUT,HEX,STEEL,PLATED,5/16-18	6	JE 755
55	NUT,HEX,STEEL,PLATED,3/8-16	4	JD 846
56	NUT,LOCK,FLANGE,HEX,SERR,ST,PL,3/8-16	2	JD7774-F
57	WASHER,FLAT,STEEL,PLATED,5/16	12	JD 894
58	WASHER,FLAT,STEEL,PLATED,1/4	6	JD 787
59	WASHER,LOCK,SPLIT,STEEL,PLATED,1/4"	12	JD 611
60	WASHER,LOCK,SPLIT,STEEL,PLATED,5/16"	14	JD 612
61	WIRE,BATTERY,ASSY,#6 GA,RED,61"LONG	1	JD7989
62	WIRE,BATTERY,ASSY,#6 GA,BLACK,56"LONG	1	JD7990
63	SCREW,PHILLIPS,HEAD,"N",COVER	6	JP7733
64 SUPPLIED W/ ENGINE	SOLENOID,STARTER,ELECT-START,KOHLER	1	JD7706-03
65	KEY,STEEL,PLATED,1/8X1/8X2-1/8"LONG	1	JD 950-02
66	CLIP,SEPARATOR,WIRE,IGNITION,7MM,2-WIRE	2	JD7831
67	CLIP,SEPARATOR,WIRE,IGNITION,7MM,3-WIRE	2	JD7832
68	MUFFLER,RD,ENGINE,KOHLER,11-15HP,TOP,KIT	1	JD7780-07
69	FILTER,OIL,FUEL,W/HEAD,3/8NPT	1	JD2117
	FILTER,OIL,FUEL,CARTRIDGE REPLACEMENT, SPIN-ON		JD2117-01
70	CONNECTOR,MALE,BRASS,1/4-45SAEX3/8NPT	1	JD1277
71	CONNECTOR,MALE,BRASS,1/4-45SAEX1/4NPT	4	JD 659
72	CLAMP,SLEEVE,PLASTIC,3/8ID	1	JD2759
73 ASSY SEE FIG 1-9	GUN,TRIGGER,3000PSI,8GPM,320F	1	JD6068-B
74	SCREW,CAP,HEX,HD,ST,PL,1/4-20X1/2"	10	JD 550
75	NOZZLE,SPRAY,PSI,SS,QCK CON,0 DEG,O#8.0	1	JD7755-08
76	NOZZLE,SPRAY,PSI,SS,QCK CON,15DEG,O#8.0	1	JD7756-08
77	NOZZLE,SPRAY,PSI,SS,QCK CON,25DEG,O#8.0	1	JD7757-08
78	NOZZLE,SPRAY,PSI,SS,QCK CON,40DEG,O#8.0	1	JD7758-08
79	SCREW,CAP,HEX,HD,GR5,ST,PL,1/4-20X3/4"	4	JD 551
80	WASHER,STRAINER,MESH,WIRE,BRASS,#30	2	JD 809
81	HOSE,COMBINATION,JENNY,3/8X50'	1	JD7624
82	DECAL,NAMEPLATE,OIL FIRED	1	JD6251-05
83	DECAL,CLEAR,MYLAR	1	JD6251-08
84	GUARD,MUFFLER,ROUND,KOHLER,11-15HP,TOP	1	JD7780-07
85	TAG,TESTED,FUEL	1	JD7196-01
86	DECAL,DANGER,WARNING,CAUTION,LARGE	1	JD7239
87	PLUG,HEAD,SOCKET,HEX,STEEL,PLATED,3/4"NP	1	JD 877
88	CAP,FILLER,FUEL,STEEL,PLATED,1/4 TURN	1	JD3174
89	TANK,FUEL,BOLT-ON,STEEL,PAINTED,13.3 GAL	1	JD8020
90	TUBING,COPPER,ASSY,BURNER,F.PUMP-SOL,JB	1	JD1722-U
91	WIRE,BATTERY,ASSY,#6 GA,RED,12"LONG	1	JP7128-E
92	SCREW,CAP,HEX HD,ST,PL,3/8-16X1"	4	JD 563
93	WASHER,FLAT,STEEL,PLATED,3/8	4	JD 873
94	DECAL,LOGO,JENNY,BLUE	2	JD7185
95	GROMMET,RUBBER,BLACK,1-1/2,I.D.	1	JP 675
96	BAFFLE,TANK,FLOAT,REMOVABLE	1	JP3385-08
97	STRAINER,CHEMICAL,BRASS,1/4"HOSEBARB	1	JD7140-A
98	KEY,STEEL,1/4X1/4X2-1/2LENGTH	1	JP6714-03
99	CLAMP,HOSE,NYLON,BLACK,.750/.875DIA	2	JD7859-F
100	PULLEY,CI,FG,4BG34X1",3.4DPA	1	JD3904-70
101	VALVE,SOLENOID,SOLUTION,12V,1/4NPT	1	JD2162-D
102	HOSE,SOLVENT,NEOPRENE,1/2"ID	3	JD 946
103	HOSE,HYD,3K PSI,31"L,3/8NPTM,90D-3/8NPTM	2	JD7893
104	WASHER,STEEL,3/4ID,SAE	2	JP2036-03
105	HOSE,RUBBER,GARDEN,5/8	3.6	JL 146
106	FILTER,OIL,REPLACEMENT,CH11-CH13,KOHLER#5205002	1	JD7767-04
107	CLAMP,HOSE,GEAR,WORM,SS,9/16TO1-1/16DIA	2	JD1229-A
108	GROMMET,RUBBER,BLACK,5/8"ID.	1	JD3385
109 ASSY SEE FIG 1-12	PUMP,FUEL,ASSY,JENNY-BURNER	1	JP7738
110	NIPPLE,CLOSE,BRASS,3/8NPT	1	JD3054

NOT SHOWN	DECAL,PACKED,GROOMED,TESTED	1	JD6013
NOT SHOWN	DECAL,MADE-IN-THE-USA,JENNY	1	JD6211
NOT SHOWN	DECAL,NOTICE,BATTERY,USE 12V 20AMP	1	JD7023
NOT SHOWN	DECAL,FUEL,OIL,MYLAR,BLUE,1"X4"	1	JD2345



ITEM NO.	QTY.	DESCRIPTION	PART NO.
1	1	PUMP,PLUNGER,TRIPLEX,3000PSI,5.6GPM,GEN	JD7063
2	1	NIPPLE,BRASS,1/2NPTX1-1/2LONG	JD3094-01
3	1	BARB,HOSE,MALE,BRASS,5/8HSX1/2NPT	JD7877
4	1	ELBOW,FEMALE,BRASS,FORGED,1/2NPT	JD 692-02
5	1	ELBOW,REDUCER,BR.STREET,90DEG,3/8FX1/4M	JD7825
6	1	VALVE,SOLENOID,BYPASS,12VDC,3/8NPT	JD3063-C
7	1	ELBOW,REDUCER,ST,PLTD,90DEG,MALE,3/8X1/4	JD7824
8	1	BARB,HOSE,MALE,BRASS,TAPPED1/4,5/8HSX3/8	JP6898
9	1	NOZZLE,SPRAY,PSI WASH,SS,1/4MEG-2512	JD6193
10	1	ACCUMULATOR,BLADDER,3000#WP,900# CHARGE	JD7646-H
11	1	TEE,STREET,STEEL,PLATED,3 8"NPT	JD 860-02
12	1	NIPPLE,HEX,STEEL,PLATED,3/8NPTX3/8NPT	JD3716-01
13	1	PULLEY,CLDG,TH,2BK100H,9.0PDA,9.4PDB	JD3904-K
14	1	BUSHING,PULLEY,TAPERED,24MM BORE	JD3915
15	2	H.H.B.1/4-20 UNC-3/4 CLASS 5 RECEIVED W/BUSHING	
16	4	METRIC RECEIVED W/ PUMP	
17	4	WASHER, LOCK, SPLIT, STEEL, PLATED, 3/8"	JD 613
18	1	PLATE,MOUNTING,PUMP,STEEL,PAINTED,JB	JD8016
19	1	BARB,HOSE,MALE,BR.1/4HSX1/2NPTM	JD7826

FIGURE 1-1 (Pump, Mounting, Fitting, JD8320-A, 1550-C OMP, Assy)

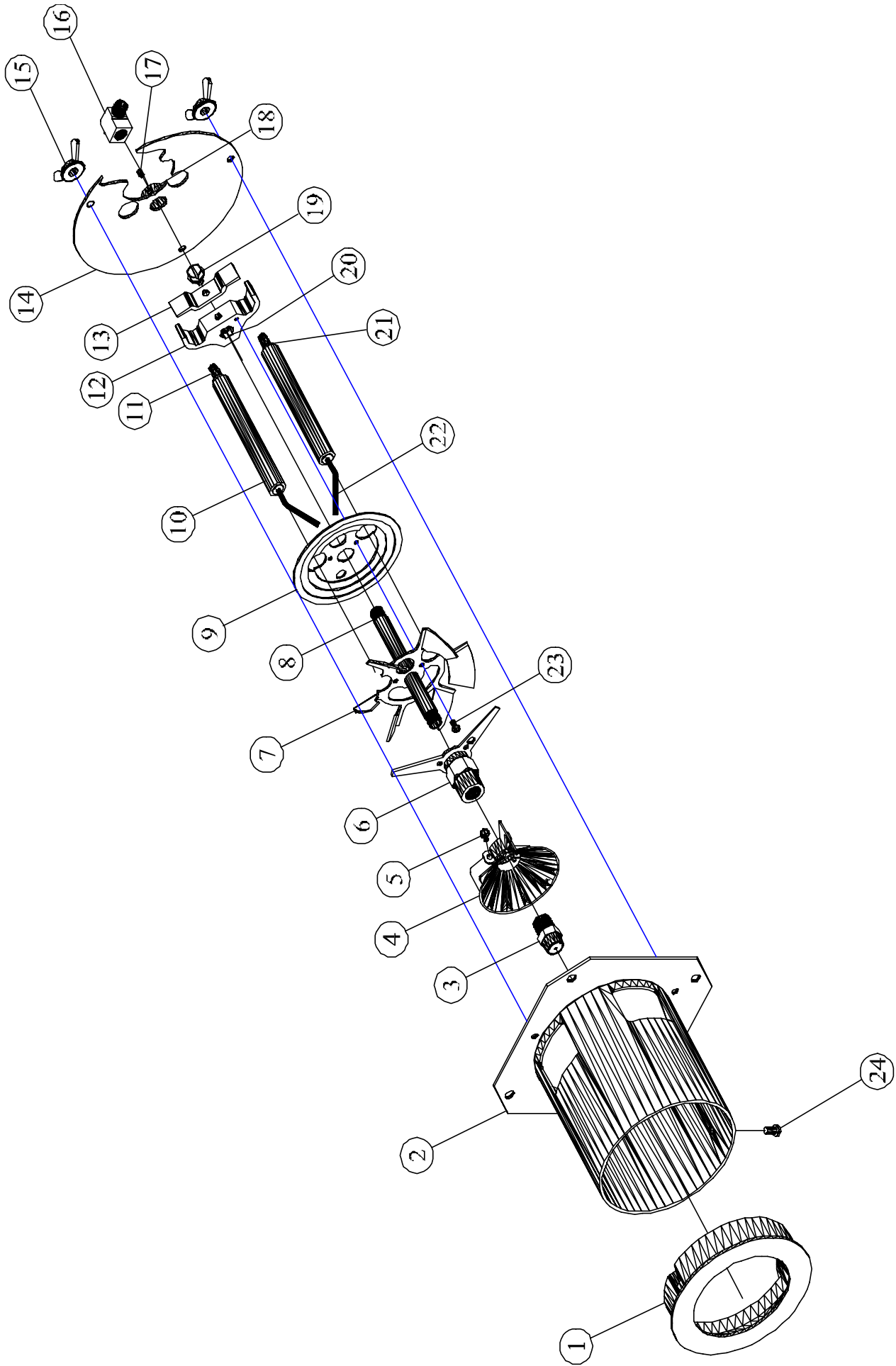
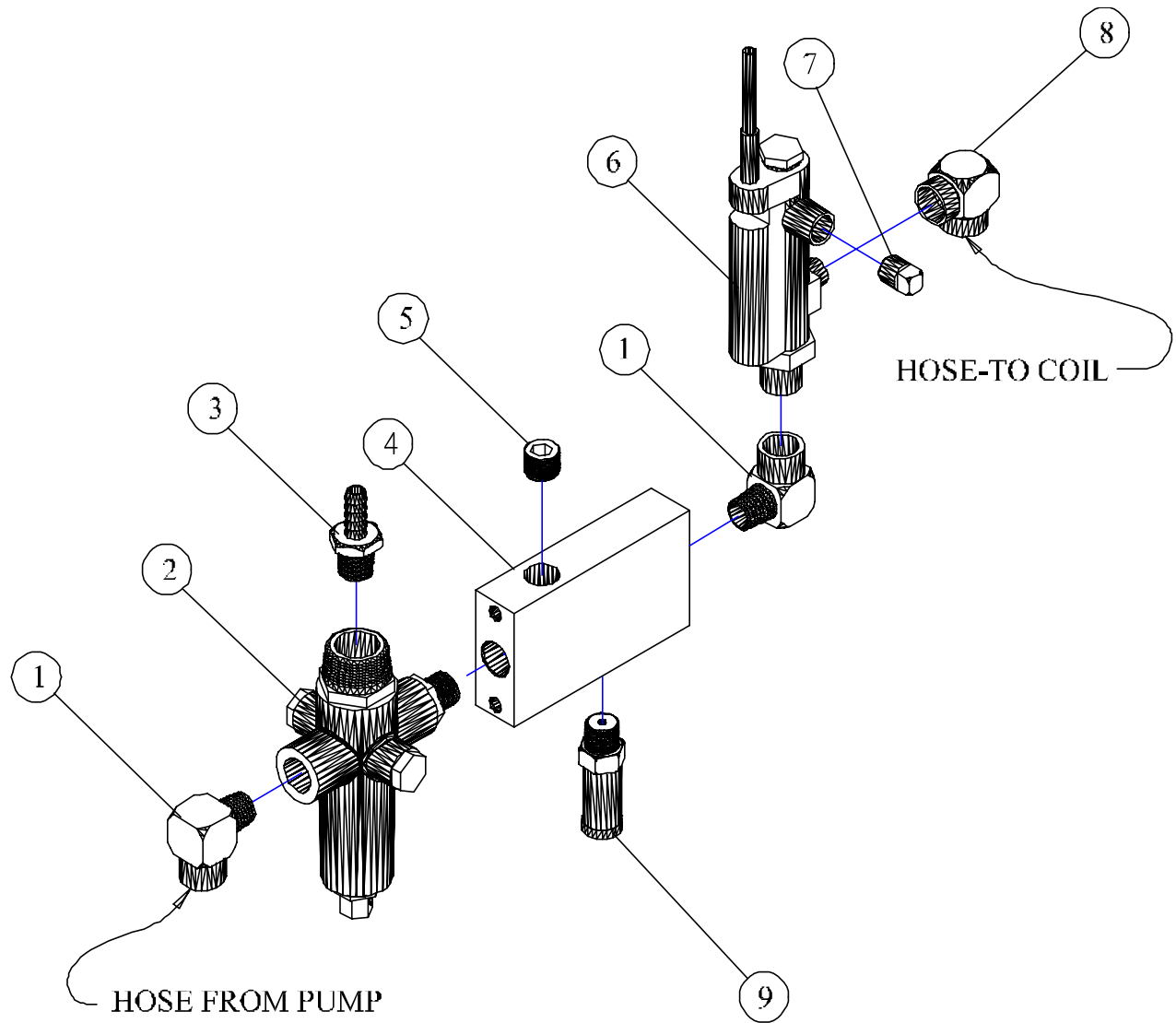


FIGURE 1-2 (Burner, Gun, Oil, Double, Electrode JB1000,1550-C OMP, Assy)

**BURNER, GUN, OIL, DOUBLE, ELECTRODE  
JB1000, ASSY**

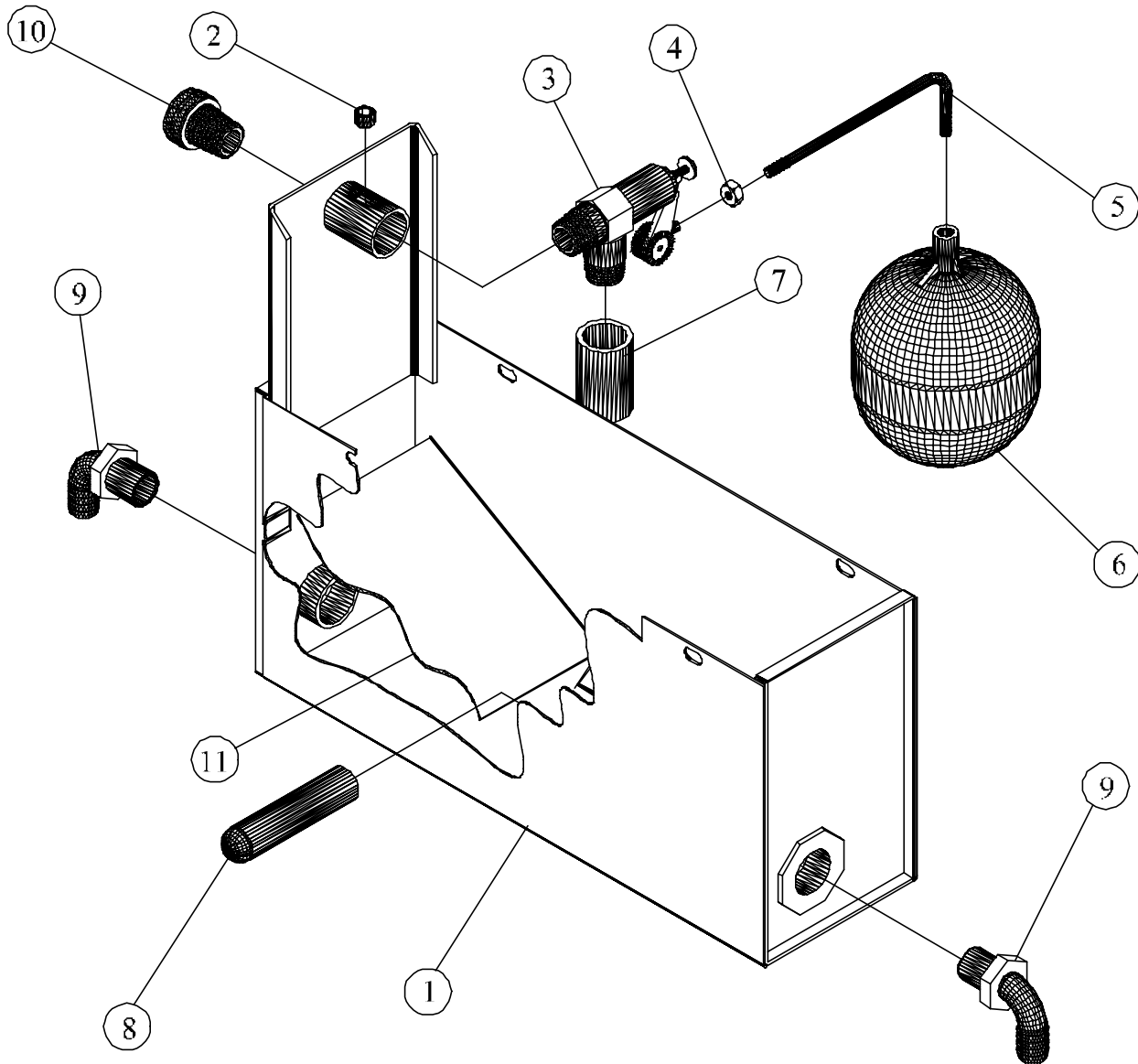
ITEM NO.	DESCRIPTION	QTY.	PART NO.
1	CONE, AIR, MI, 4.0 O.D. X 3.0 I.D. X .875 LONG	1	JB1002
2	TUBE, AIR, STEEL, 4.25 O.D. X 4.0 I.D. X 4.50 LONG ASSY	1	JB1001
3	NOZZLE, BURNER, OIL, 2.25GPH, 80 DEG, S.C. (ON MACHINE B.O.M.)	1	JB1511
4	FLAME LOCK, STAINLESS, 10 VANE, 2.5" CONE	1	JB1007
5	SCREW, SELF TAP, HEX, WASH, STEEL, PLATED, 6-32 X 3/8	1	JB1014
6	ADAPTER, NOZZLE, BRASS, W/LEG, SUPPORT	1	JB1006
7	WHIRLER, STEEL, PLATED, 6 VANE, 3-11/16 O.D.	1	JD1010
8	NIPPLE, STEEL, SCH40, 1/8" NPT X 4" LONG	1	JB1004
9	PLATE, STEEL, PLATED, DISC, SOLID, 3-3/8 O.D.	1	JB1009
10	INSULATOR, ELECTRODE, CERAMIC, GLAZED, 4"	2	JB1015-01
11	CONNECTOR, SPARK PLUG, RAJAH, 100734-002	2	JB1015-04
12	SUPPORT, ELECTRODE, ALUMINUM	1	JB1008
13	CLAMP, ELECTRODE, STEEL, 13 GA. X .5 X 2.0	1	JB1011
14	PLATE, BURNER, STEEL, 14 GA X 5.25 DIAMETER	1	JB1003
15	NUT, WING, STEEL, FORGED, PLATED, 10-24	3	JD2186
16	ELBOW, FEMALE, BRASS, 1/4-45 SAE X 1/8 NPTF	1	JB1018
17	SCREW, SET, HEX, CUP POINT, NYLK, 1/4-20X1/4	1	JE 895
18	COLLAR, STEEL, .875 O.D. X .437 I.D. X .437 LONG	1	JB1005
19	SCREW, MACHINE, HEX, WSHR, ST, PLATED, 10-24 X 5/16	1	JB1013
20	SCREW, SET, HEX, CUP POINT, 10-24 X 1/4	1	JB1012
21	NUT, LOCK, FLANGE, HEX, ST, PL, #6-32	2	JB1015-03
22	ELECTRODE, BENT RADIUS, TUNGSTEN	2	JB1015-02
23	SCREW, SELFTAP, HEX WASH, ST, PL, 4-40 X 3/8	1	JB1016
24	SCREW, MACHINE, PHILLIPS, ST, PL, FL, 8-32 X 3/8	1	JB1017



ITEM NO.	QTY.	DESCRIPTION	PART NO.
1	2	ELBOW,STREET,STEEL,PLATED,3/8NPT	JD3717-03
2	1	VALVE,UNLOAD,FLW ACT,1000-3000#,4.2-6.6	JD3325-F
3	1	BARB,HOSE,MALE,BRASS,3/8HSX1/2NPTM	JD7708-01
4	1	MANIFOLD,FITTINGS,STEEL,PLATED,ALL UNITS	JP7716
5	1	PLUG,SOCKET,HEX,BRASS,3/8NPT	JD7151
6	1	SWITCH,FLOW,SP,ST,NO,20VA,3/8NPTM	JD7279
		REPLACEMENT, REED, SWITCH ASSY W/47" LEAD	JD7279-01
7	1	PLUG,HEAD,SQUARE,BRASS,1/4NPT	JD 679-02
8	1	ELBOW,FEMALE,STEEL,PLATED,3/8"NPT	JD 691
9	1	VALVE,RELIEF,2400-3000PSI,160F,3/8NPTM	JD7048-A

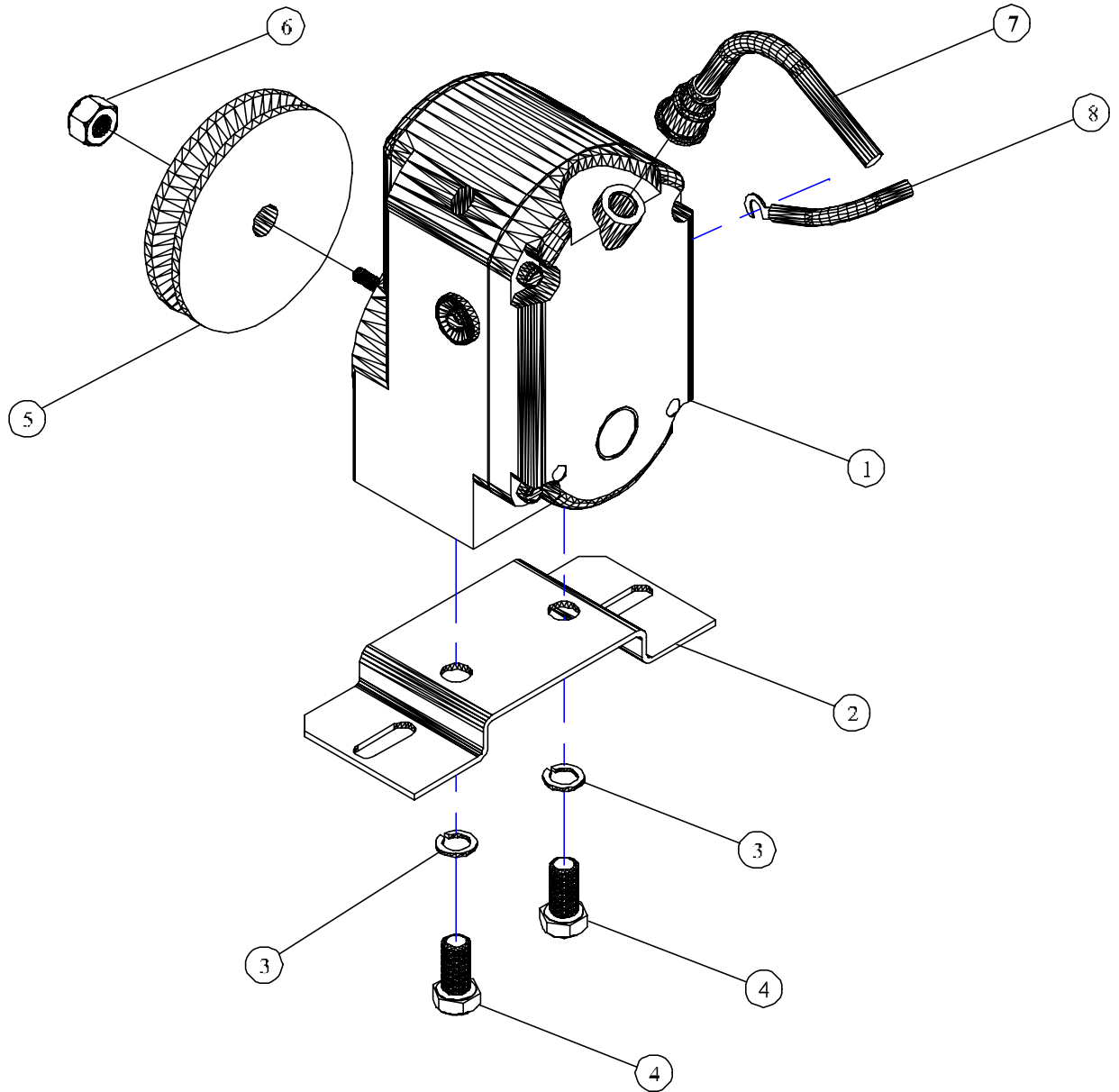
FIGURE 1-3 (Manifold, Valve, Fitting, JD8242-A, 1550-C OMP, Ass'y)





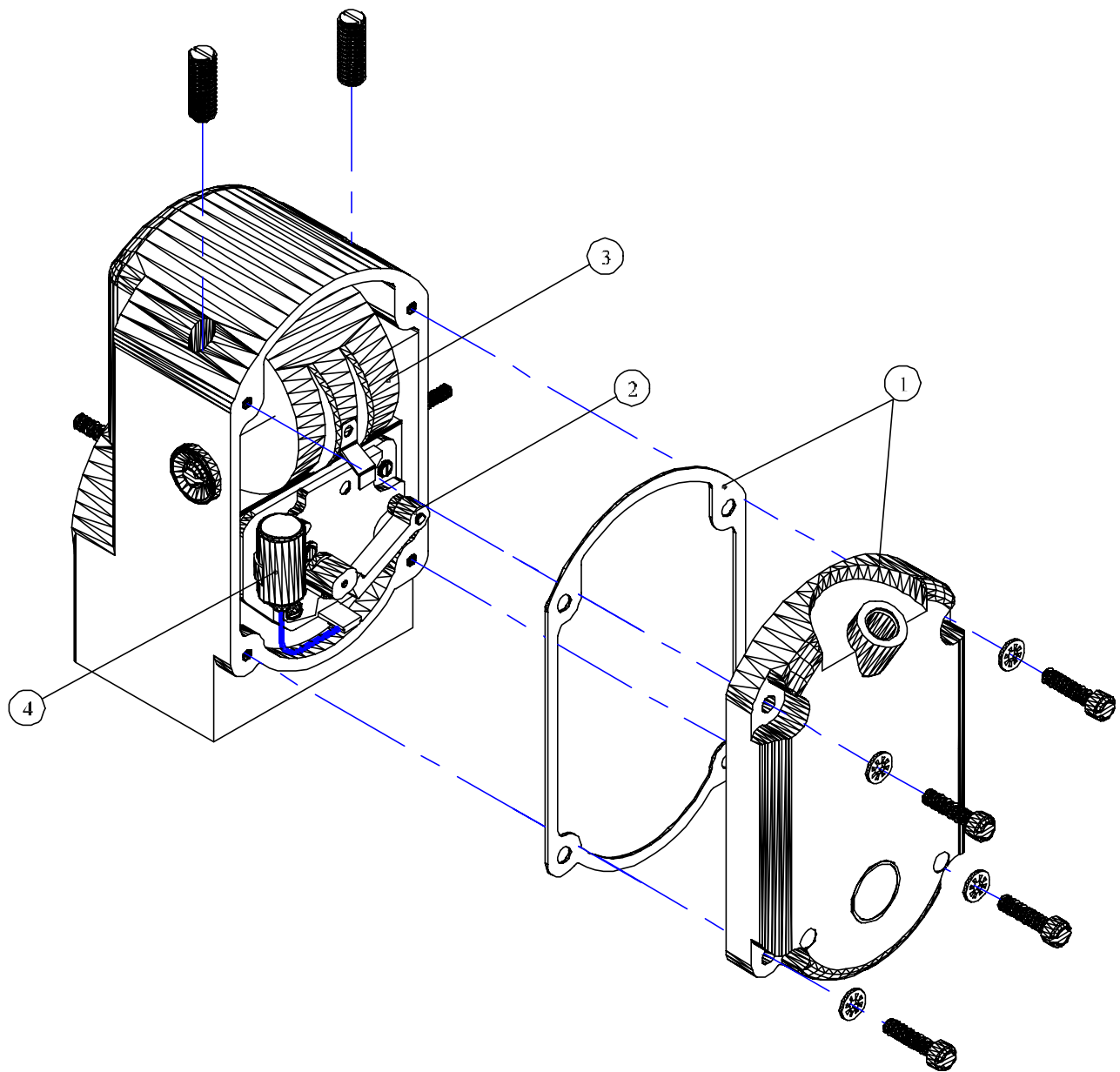
ITEM NO.	QTY.	DESCRIPTION	PART NO.
1	1	TANK, FLOAT, BOLT-ON, JB	JD8015
2	1	PLUG, SOCKET, HEX, BRASS, 1/8NPT	JD7243
3	1	VALVE, FLOAT, BRASS, 60PSI, 1/2"NPTM	JD2988-B
4	1	NUT, HEX, STEEL, PLATED, 1/4-20	JD 791
5	1	ROD, FLOAT, BENT, BRASS, 1/4 X 5-5/8 LG X 1/4-20	JD1416-02
6	1	BALL, FLOAT, PLASTIC, BLACK	JD1416-01
7	1	HOSE,RUBBER,BLACK,3/4	JE 558
8	1	STRAINER, WATER, SS, 30MESH, 47/64 O.D. X 3-1/8 LG	JD3843-B
9	2	ELBOW, BARB, HOSE, MALE, PLASTIC, 5/8HS X 3/4 NP	JD3663
10	1	CONNECTOR,BR,3/4GARDEN HOSEX1/2NPTM,SWIV	JD7142
11	1	BAFFLE,TANK,FLOAT,REMOVABLE	JP3385-08

FIGURE 1-4 (Tank, Float, Fitting, JD8245-E, Omp, 1550-C Ass'y)



ITEM NO.	QTY.	DESCRIPTION	PART NO.
1	1	MAGNETO, IGNITION, FM, CCW	JD942-A
2	1	BRACKET, MAGNETO, OMP, JB	JP6082-A
3	2	WASHER, LOCK, SPLIT, STEEL, PLATED, 3/8"	JD 613
4	2	SCREW, CAP, HEX, HD, ST, PL, 3/8-16 X 3/4	JD 561
5	1	PULLEY, CRS, SG, 3.170DX7/16ID-TAPERED	JD3314-A
6	1	NUT, LOCK, STEEL, PLTD, NYLON, INSERT, 3/8-16	JD3726-02
7	1	WIRE, IGNITION, BURNER, MAGNETO, ASSY 34"L	JD3950-M
8	1	WIRE, IGNITION, BURNER, ASSY, 27.5" L GND	JD3950-F

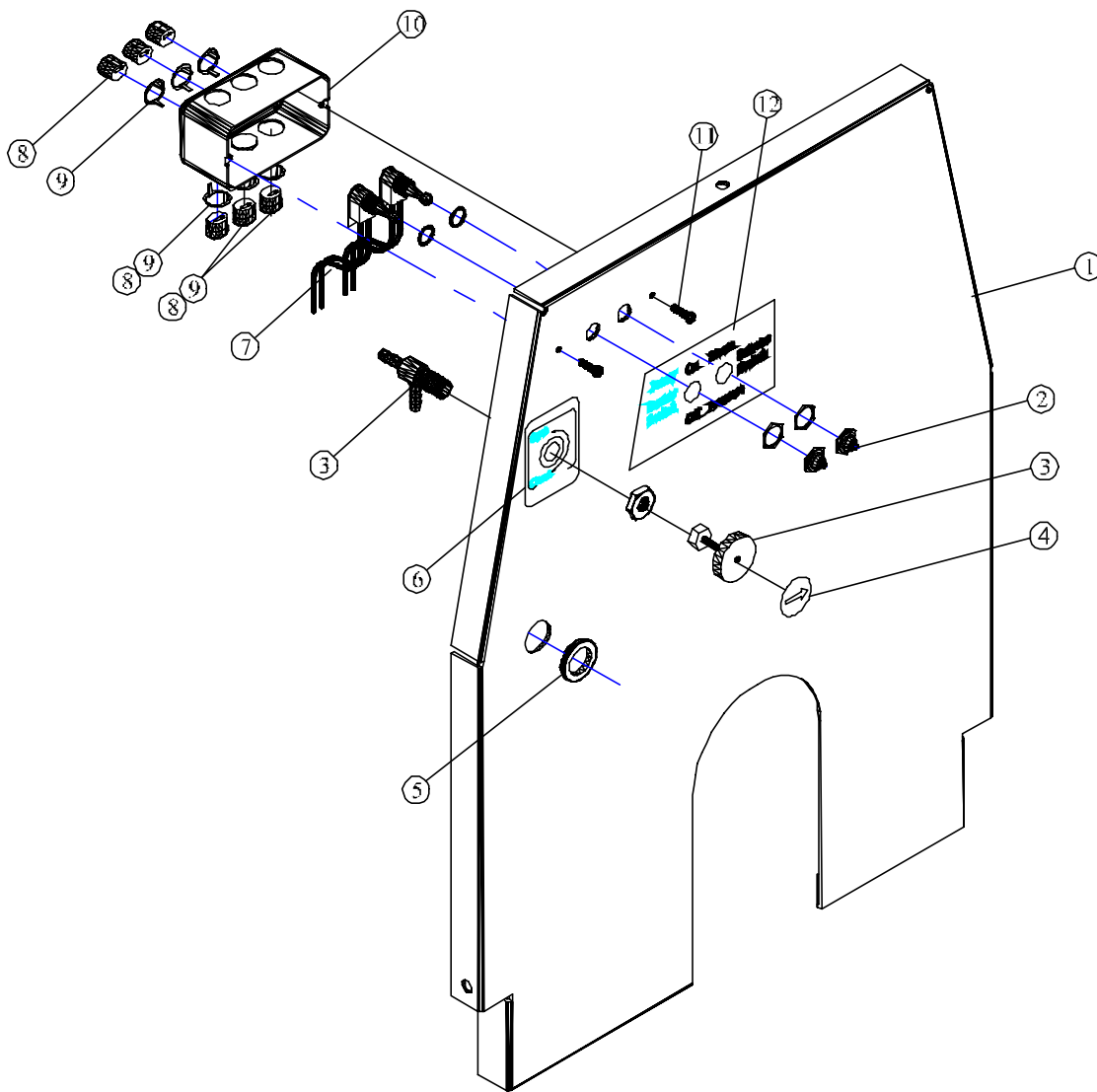
FIGURE 1-5 (Magneto, Ignition Fittings, Omp, Assy)



NOTE: WE ARE USING CCW ROTATION ON THE NEW UNITS W/ GAS ENGINES

ITEM NO.	QTY.	DESCRIPTION	PART NO.
1	1	COVER, GASKET, MAGNETO, ASSY	JD 942-11
2	1	POINT, CONTACT, MAGNETO, CCW	JD 942-22
3	1	COIL, MAGNETO	JD 942-13
4	1	CONDENSER, MAGNETO	JD 942-14

FIGURE 1-6 (Magneto, Replacement, Parts, JD 942-A Break Down)



ITEM NO.	QTY.	DESCRIPTION	PART NO.
1	1	PANEL,COVER,FRONT,ST,PAINTED,OMP,CMB,JB	JD8013-A
2	2	BOOT,SEAL,RUBBER,SWITCH,TOGGLE	JD3176
3	1	VALVE,NEEDLE,SOLUTION,BRASS,1/4IDHS-BARB	JD6248-A
4	1	DECAL,INDICATOR,HANDLE,VALVE,SOLUTION	JD7143
5	1	GROMMET,RUBBER,BLACK,5/8"L.D.	JD3385
6	1	DECAL,SOLUTION,METERING,VALVE	JD7821
7	2	SWITCH,TOGGLE,SP,ST,6A@120V	JD2124
8	6	BUSHING,RELIEF,STRAIN,0.32-0.65,7/8	JD3947
9	6	BUSHING,RELIEF,STRAIN,0.37-0.43,7/8	JD3479
10	1	BOX,JUNCTION,NEMA4,2X4X2-1/8,STEEL CITY	JD 961
11	2	SCREW,MACHINE,PHILLIP,ST,PL,6-32X1/2	JD1033
12	1	DECAL,PANEL,INSTRUCTION,ENGINE,GAS,CMB	JD8441

FIGURE 1-7 (Panel, Cover, Front, Fittings Assy, 1550-C OMP)

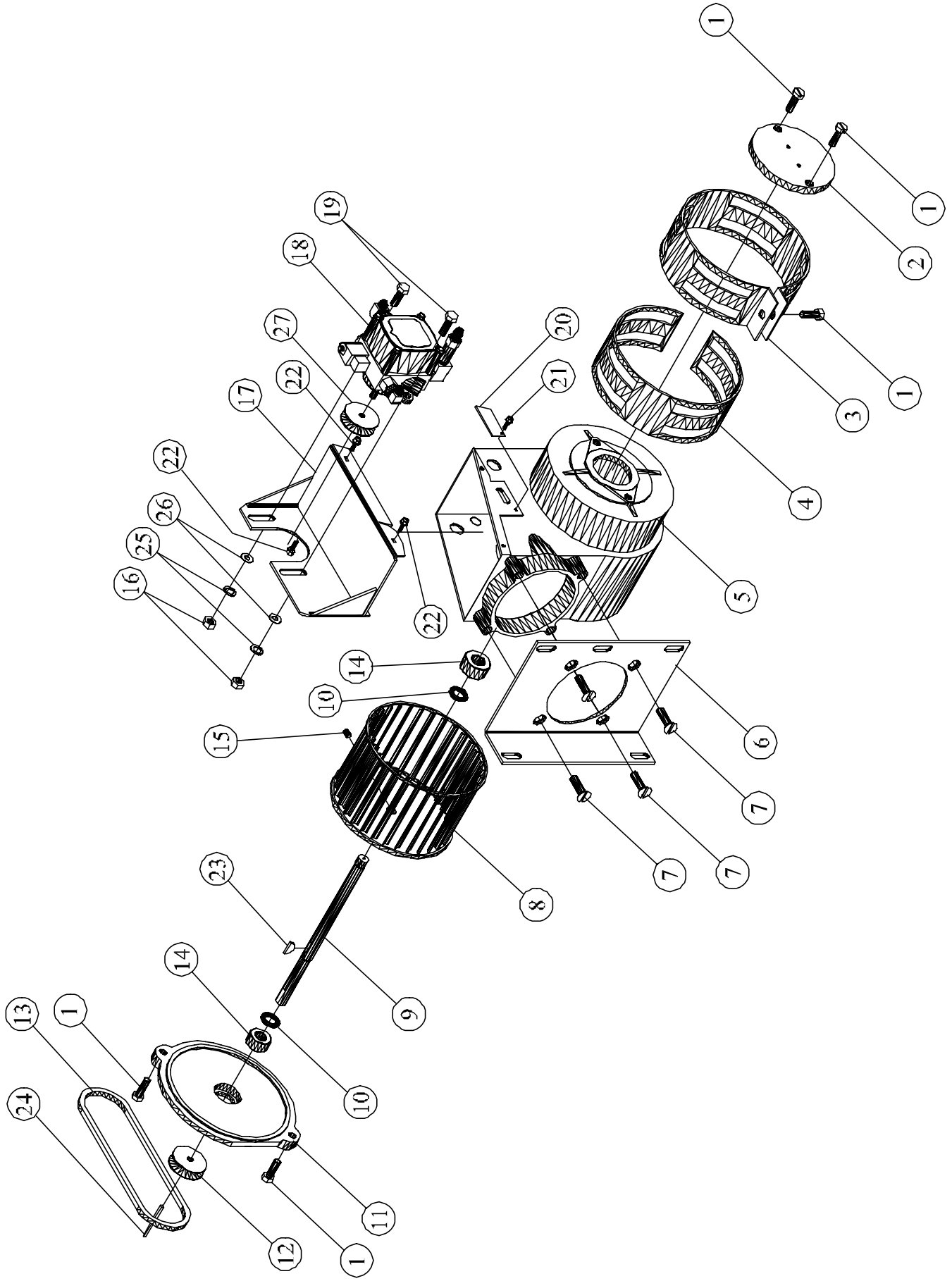
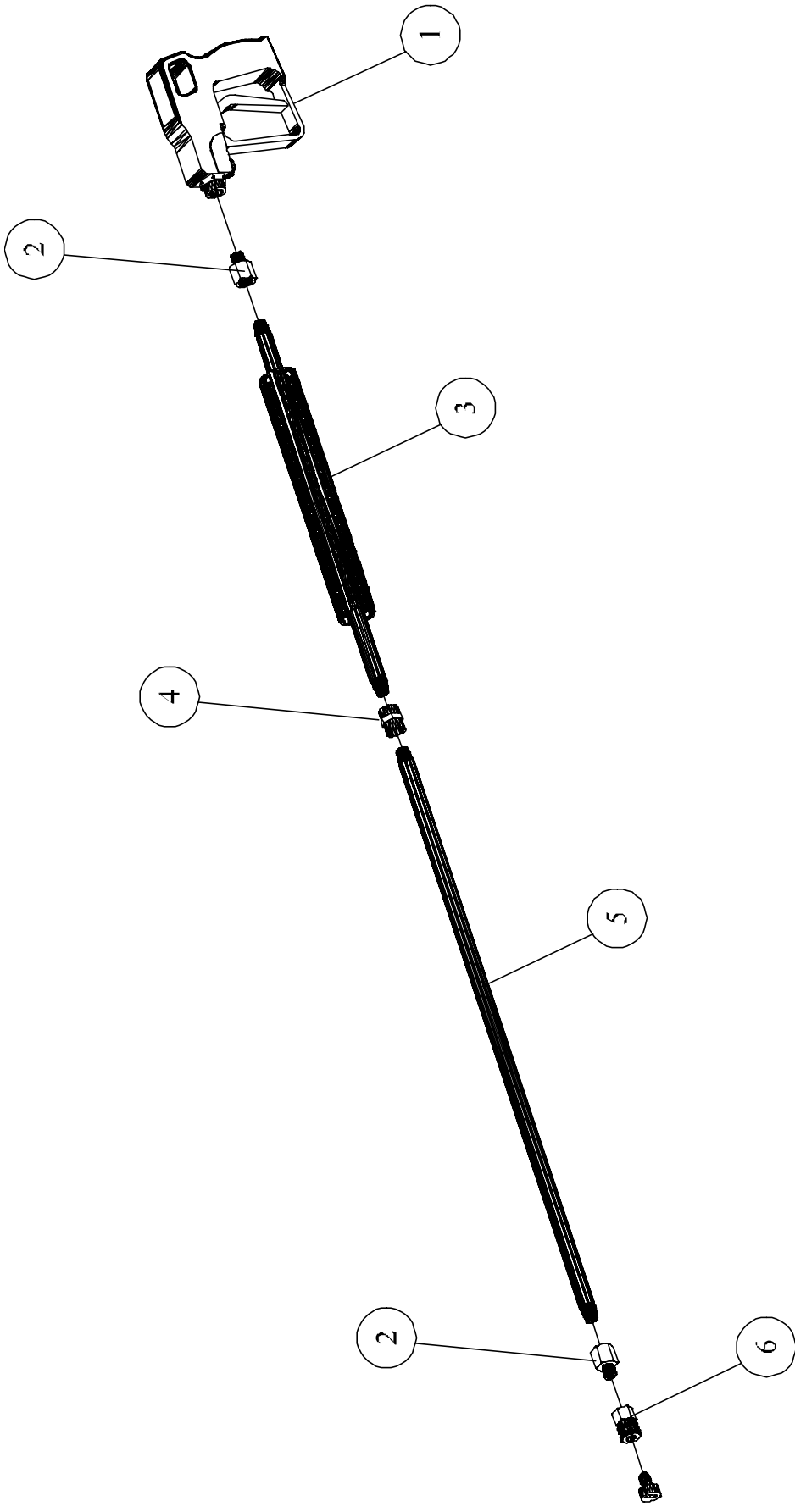


FIGURE 1-8 (Blower, Air, JB2000, 6" OD X 4" W X 1/2" Shaft, Assy)

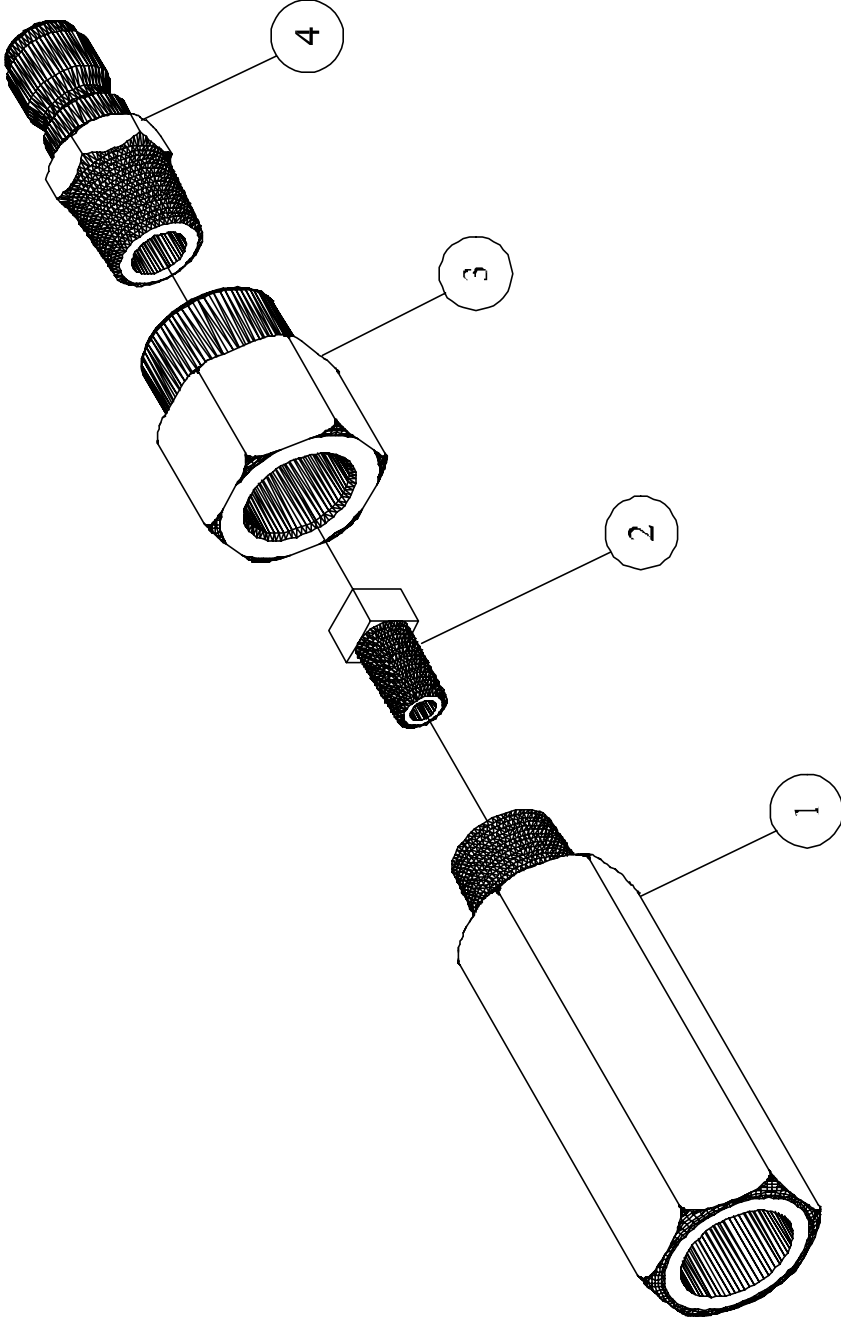
**1550-C OMP, Blower, Air, JB2000  
6" ODX 4" W X 1/2" Shaft Assy**

<b>ITEM NO.</b>	<b>DESCRIPTION</b>	<b>QTY.</b>	<b>PART NO.</b>
1	SCREW, MACHINE, HEX, SERR, ST, PL, 5/16-18 X 7/8	5	JB2012
2	RETAINER, BEARING, ALUMINUM, BAND, AIR	1	JB2006
3	BAND, AIR, OUTER, STEEL, PLATED, 8 HOLE	1	JB2003
4	BAND, AIR, INNER, STEEL, PLATED, 7 HOLE	1	JB2002
5	HOUSING, BLOWER, ALUMINUM, 6.25OD X 4.0 WHEEL	1	JB2001
6	PLATE, MOUNTING, ST, PLATED, ADAPTER, CHASSIS	1	JB2010
7	SCREW, MACHINE, UNDERCUT, SLT, FLT, 5/16-18 X 5/8	4	JB2013
8	WHEEL, BLOWER, ST, 6.25 OD X 4.0W 1/2" SHAFT W/KEYWAY	1	JB2007
9	SHAFT, BLOWER, STEEL, 0.50 DIA. X 9.562 LONG KEY WAY	1	JB2008
10	RING, RETAINER, EXTERIOR, STEEL, 1/2	2	JB2015
11	FLANGE, ALUMINUM, RETAINER, BEARING, N-FLANG	1	JB2009
12	PULLEY, CRS, SG, 1-3/4 OD X 1/2 ID (3L BELT)	1	JD3233-04
13	BELT, VEE, FHP, 3L230	1	JD3509
14	BEARING, BALL, 1.375OD X .500 ID X .437 WIDE	2	JB2011
15	SCREW, SET, HEX-SKT, KNURL-PNT, 5/16-24 X 3/8L	1	JB2017
16	NUT, LOCK, FLANGE, HEX, SERR, ST, PL, 5/16-18	2	JE 755
17	PLATE, MOUNTING, PUMP, FUEL, STEEL, PAINTED	1	JB2005
18 ASSY SEE FIG 1-12	PUMP, FUEL, ASSY, JENNY-BURNER	1	JP7738
19	SCREW, FLANGE, HEX, SERR, ST, PL, 5/16-18 X 1"	2	JD 557
20	PLATE, COVER, SLOT, STEEL, PLATED, 18GA X 1 X 2.5	1	JB2004
21	SCREW, SELFTAP, HEX, SERRATED, FLT, 10-24 X 3/8	1	JB2014
22	SCREW, SLF DRL, HEX, WASHER, PLATED #10 X 5/8	3	JD7074-A
23	KEY, STEEL, WOODRUFF, 1/8" #404	1	JD 950-03
24	KEY, STEEL, PLATED, 1/8X1/8X2-1/8" LONG	1	JD 950-02
25	WASHER, LOCK, SPLIT, STEEL, PLATED, 5/16"	2	JD 612
26	WASHER, FLAT, STEEL, PLATED, 5/16"	2	JD 894
27	PULLEY, CRS, SG, 1-3/4" ODX 5/16" ID (3L BELT)	1	JD3233-03



ITEM NO.	QTY.	DESCRIPTION	PART NO.
1	1	GUN, TRIGGER, 5000PSI, 10GPM, 300F	JD6068-B
2	2	ADAPTER, EXPANDING, STEEL, PLATED, 1/4M X 3/8F	JD6224
3	1	HANDLE, PERFORATED, SCH80, STEEL, ASSY, 3/8	JE 280-E
4	1	COUPLING, HEX, STEEL, PLATED, 3/8NPT X 3/8NPT	JD 907-04
5	1	NIPPLE, STEEL, SCH80, 3/8NPT X 28 LONG	JD 963
6	1	SOCKET, QUICK, COUPLING, BRASS, 1/4M X 3/8F	JD3102-02

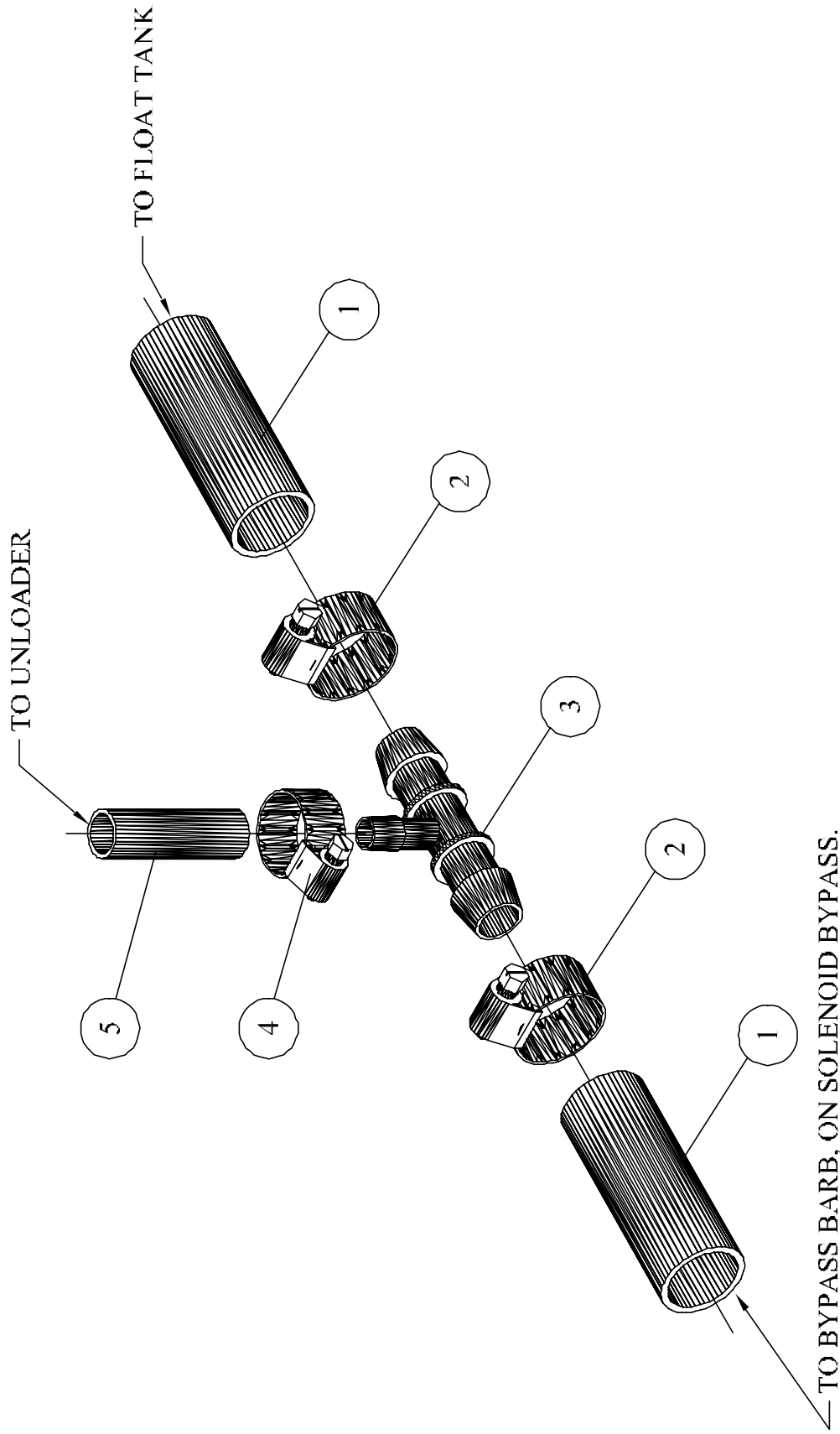
FIGURE 1-9 (GUN, SCH80, N/C, W/O, SWIVEL, 3/8" JP4261-H, 1550-C ASSY)



ITEM NO.	QTY.	DESCRIPTION	PART NO.
1	1	NOZZLE, STEAM, 3/4 HEX, STEEL, PLATED, TAPPED	JP3308-B
2	1	ORIFICE, STEAM, SS, #46	JP3175-09
3	1	COUPLING, HEX, BRASS, 3/8NPTF X 1/4 NPTF	JD 920-01
4	1	PLUG QUICK, COUPLING, BRASS, 1/4" NPTM	JD3103-04

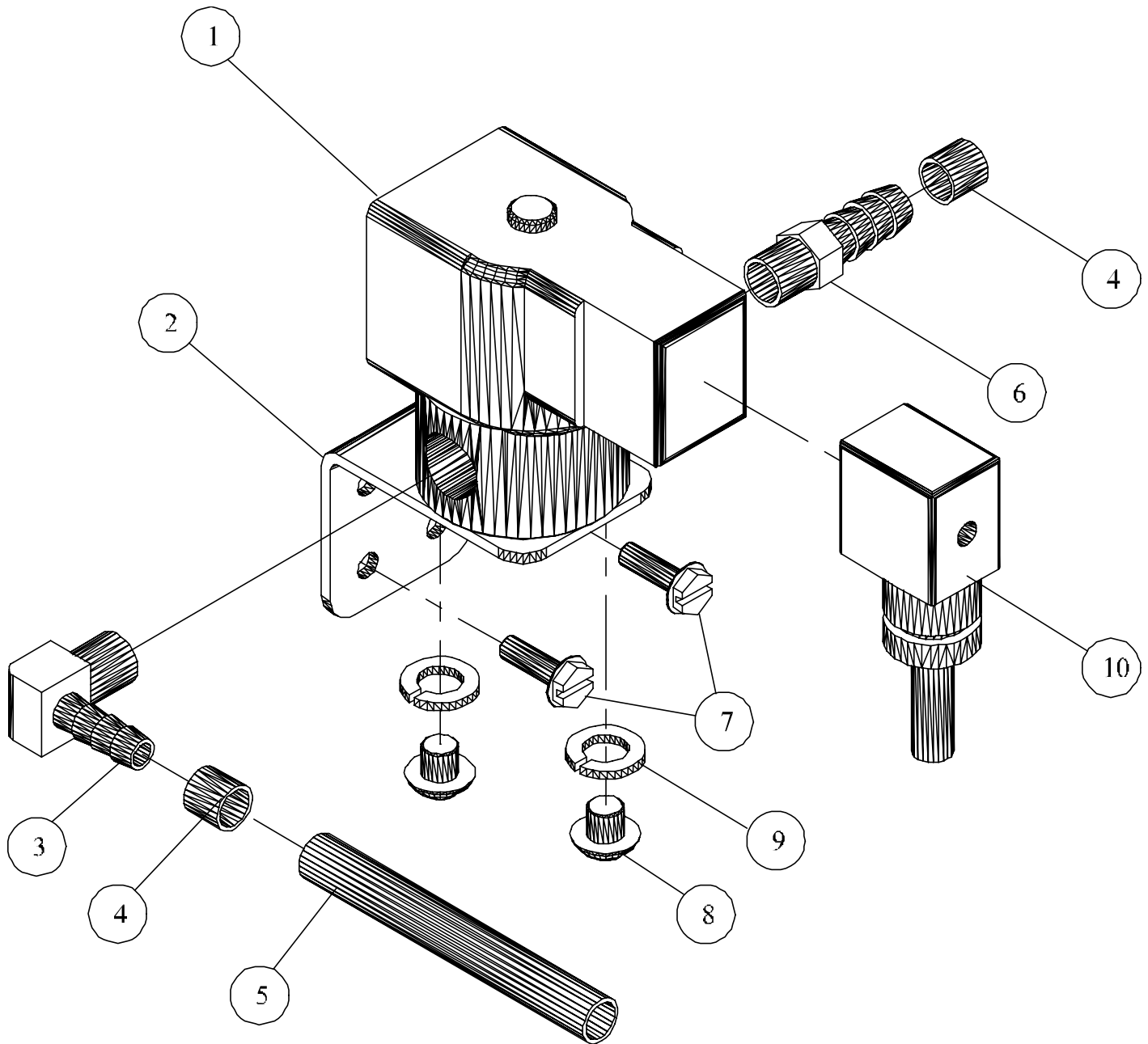
FIGURE 1-10 (NOZZLE, STEAM, COMBINATION, FITTING, 1550-C, ASSY)





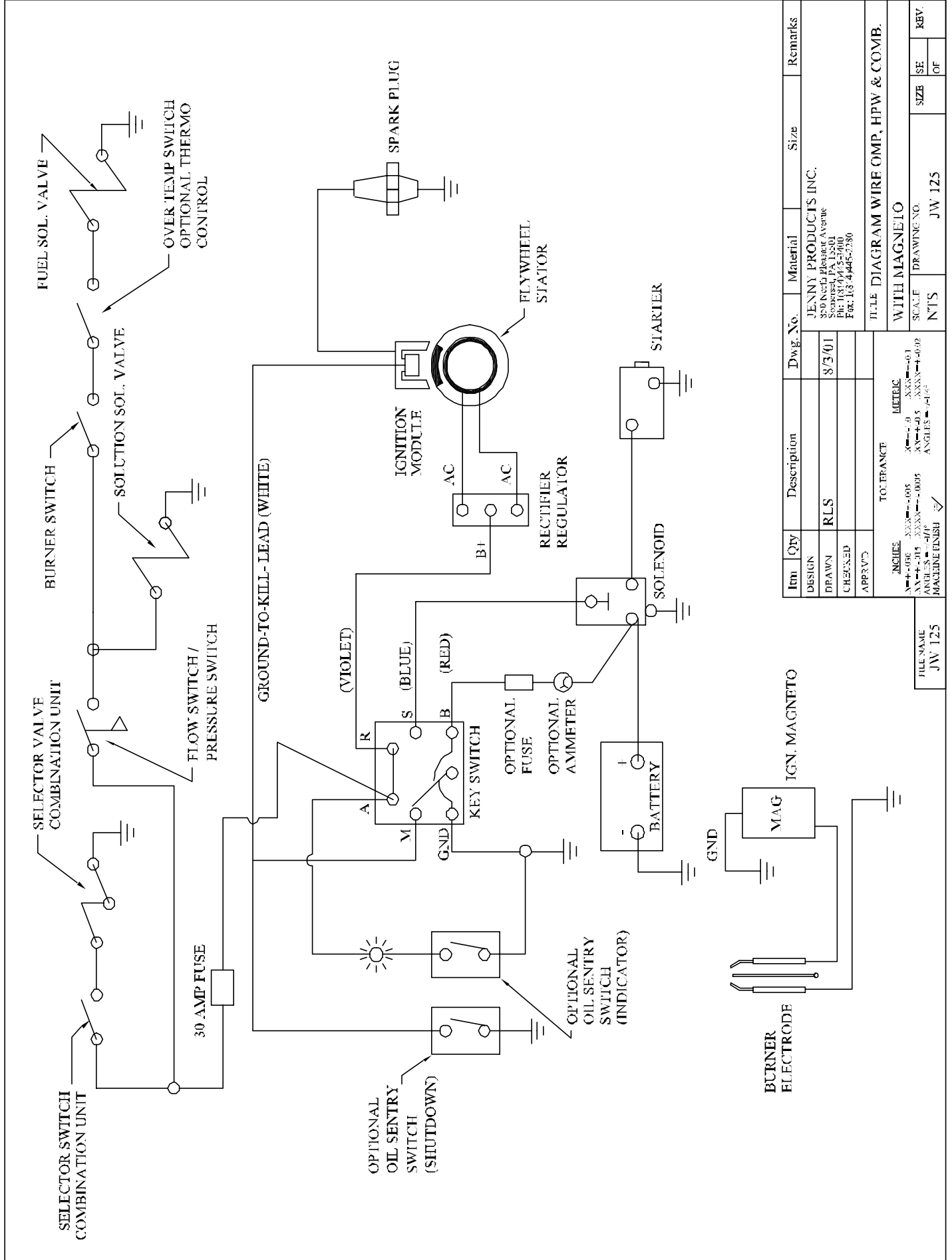
ITEM NO.	QTY.	DESCRIPTION	PART NO.
1	2.5'	HOSE, RUBBER, GARDEN, 5/8"	JL 146
2	2	CLAMP, HOSE, GEAR, WORM, SS, 9/16 TO 1-1/16 DIA	JD1229-A
3	1	TEE, BARB, PLASTIC, 3/8 X 5/8 X 5/8	JD7823
4	1	CLAMP, GEAR, WORM, SS, 7/32 TO 5/8 DIAMETER	JD3068
5	1.2'	TUBING, REINFORCED, PVC, 3/8 I.D.	JD7575

FIGURE 1-11 (COMBINATION, MACHINE, BYPASS, HOSE, FITTING, 1550-C, ASSY)



ITEM NO.	QTY.	DESCRIPTION	PART NO.
1	1	VALVE, SOLENOID, SOLUTION, 12V, 1/4NPT	JD2162-D
2	1	BRACKET, MOUNTING, SOLUTION, SOLENOID	JD7760
3	1	BARB, HOSE, ELBOW, MALE, BRASS, 1/4HS X 1/4 NPT	JD7078
4	2	CLAMP, SLEEVE, PLASTIC, 3/8 I.D.	JD2759
5	1	TUBING, PVC, CLEAR, 3/8 O.D. X 1/4 I.D.	JD3087
6	1	BARB HOSE 1/4 HS X 1/4 NPT	JD2765
7	2	SCREW, SLF, DRL, HEX WASHER, PLTD, #10 X 5/8	JD7074-A
8	2	SCREW, MACHINE, PHILLIPS, ST, PL, 10-32 X 3/8	JD3234
9	2	WASHER, LOCK, SPLIT, STEEL, PLATED, #10	JD624
10	1	CONNECTOR, SOLENOID, RELIEF, STRAIN, DIN	JD7703

FIGURE 20-1 (VALVE, SOLUTION, SOLENOID, JD2162-D, ASSY)



Item	Qty	Description	Dwg. No.	Material	Size	Remarks
DESIGN		RLS	8/3/01	JENNY PRODUCTS INC. 320 North Pleasant Avenue Scranton, PA 18501 Ph: (717) 945-7400 Fax: (717) 945-7380		
CHECKED				TITLE DIAGRAM WIRE OMP, HPW & COMB.		
APPROVED				WITH MAGNETO		
SCALE		DRAWING NO.	NTS	JW 125	SIZE	SE OF
MACHINE FINISH						

TOLERANCE	
INCHES	METRIC
XX-0.005	XX-0.1
XX-0.015	XX-0.5
XX-0.03	XX-1
XX-0.075	XX-3
XX-0.15	XX-6
XX-0.3	XX-12
XX-0.6	XX-24
XX-1.2	XX-48
XX-2.4	XX-96
XX-4.8	XX-192
XX-9.6	XX-384
XX-19.2	XX-768
XX-38.4	XX-1536
XX-76.8	XX-3072
XX-153.6	XX-6144
XX-307.2	XX-12288
XX-614.4	XX-24576
XX-1228.8	XX-49152
XX-2457.6	XX-98304
XX-4915.2	XX-196608
XX-9830.4	XX-393216
XX-19660.8	XX-786432
XX-39321.6	XX-1572864
XX-78643.2	XX-3145728
XX-157286.4	XX-6291456
XX-314572.8	XX-12582912
XX-629145.6	XX-25165824
XX-1258291.2	XX-50331648
XX-2516582.4	XX-100663296
XX-5033164.8	XX-201326592
XX-10066329.6	XX-402653184
XX-20132659.2	XX-805306368
XX-40265318.4	XX-1610612736
XX-80530636.8	XX-3221225472
XX-161061273.6	XX-6442450944
XX-322122547.2	XX-12884901888
XX-644245094.4	XX-25769803776
XX-1288490188.8	XX-51539607552
XX-2576980377.6	XX-103079215104
XX-5153960755.2	XX-206158430208
XX-10307921510.4	XX-412316860416
XX-20615843020.8	XX-824633720832
XX-41231686041.6	XX-1649267441664
XX-82463372083.2	XX-3298534883328
XX-164926744166.4	XX-6597069766656
XX-329853488332.8	XX-13194139533312
XX-659706976665.6	XX-26388279066624
XX-1319413953331.2	XX-52776558133248
XX-2638827906662.4	XX-105553116266496
XX-5277655813324.8	XX-211106232532992
XX-10555311626649.6	XX-422212465065984
XX-21110623253299.2	XX-844424930131968
XX-42221246506598.4	XX-1688849860263936
XX-84442493013196.8	XX-3377699720527872
XX-168884986026393.2	XX-6755399441055744
XX-337769972052786.4	XX-13510798882111488
XX-675539944105572.8	XX-27021597764222976
XX-1351079888211145.6	XX-54043195528445952
XX-2702159776422291.2	XX-10808639105689184
XX-5404319552844582.4	XX-21617278211378368
XX-1080863910568915.2	XX-43234556422756736
XX-2161727821137830.4	XX-86469112845513472
XX-4323455642275660.8	XX-172938225691026944
XX-8646911284551321.6	XX-345876451382053888
XX-1729382256910263.2	XX-691752902764107776
XX-3458764513820526.4	XX-1383505805528215552
XX-6917529027641052.8	XX-2767011611056431104
XX-1383505805528205.6	XX-5534023222112862208
XX-2767011611056401.2	XX-11068046442225724416
XX-5534023222112802.4	XX-22136092884451448832
XX-1106804644222564.8	XX-44272185768902897664
XX-2213609288445129.6	XX-88544371537805795328
XX-4427218576890259.2	XX-177088743075611590656
XX-8854437153780518.4	XX-354177486151223181312
XX-1770887430756103.2	XX-708354972302446362624
XX-3541774861512206.4	XX-1416709944604892851248
XX-7083549723024402.8	XX-2833419889209785702496
XX-1416709944604805.6	XX-5666839778419571404992
XX-2833419889209701.2	XX-11333679556839142899904
XX-5666839778419402.4	XX-22667359113678285799808
XX-1133367955683900.8	XX-45334718227356571599716
XX-2266735911367801.6	XX-90669436454713143199432
XX-4533471822735603.2	XX-1813388729094262863888
XX-9066943645471206.4	XX-3626777458188525727776
XX-1813388729094202.8	XX-7253554916377051455552
XX-3626777458188405.6	XX-14507109132754102911104
XX-7253554916377001.2	XX-29014218265508205822208
XX-1450710913275400.8	XX-58028436531016411644416
XX-2901421826550801.6	XX-11605687306203282328896
XX-5802843653101603.2	XX-23211374612406564657792
XX-1160568730620300.8	XX-46422749224813129315584
XX-2321137461240601.6	XX-92845498449626258631168
XX-4642274922481203.2	XX-185690996899253117262336
XX-9284549844962405.6	XX-371381993798506234524672
XX-1856909968992401.2	XX-742763987597012469049344
XX-3713819937985002.4	XX-148552797519402483809888
XX-7427639875970004.8	XX-297105595038804967619776
XX-1485527975194001.6	XX-594211190077609935239552
XX-2971055950388003.2	XX-1188422380155219884471104
XX-5942111900776004.8	XX-2376844760310439768942208
XX-1188422380155200.8	XX-4753689520620879537884416
XX-2376844760310401.6	XX-9507379041241759075768832
XX-4753689520620803.2	XX-19014758082483518151537664
XX-9507379041241605.6	XX-38029516164967036303075328
XX-1901475808248301.2	XX-76059032329934072606150656
XX-3802951616496602.4	XX-152118064659868145212301312
XX-7605903232993204.8	XX-304236129319736290424602624
XX-1521180646598600.8	XX-608472258639472580849205248
XX-3042361293197201.6	XX-1216944517278945161698401024
XX-6084722586394403.2	XX-2433889034557890323396802048
XX-1216944517278804.8	XX-4867778069115780646793604096
XX-2433889034557606.4	XX-9735556138231561293587208192
XX-4867778069115408	XX-19471112276463122371774416384
XX-9735556138231209.6	XX-38942224552926244743548832768
XX-1947111227646201.2	XX-77884449105852489487097665536
XX-3894222455292402.4	XX-15576889821170498977419531072
XX-7788444910585204.8	XX-31153779642340997954839062144
XX-1557688982117006.4	XX-62307559284681995909678124288
XX-3115377964234008	XX-124615118569363987819356248576
XX-6230755928468009.6	XX-249230237138727975638712497152
XX-1246151185693601.2	XX-498460474277455951277424994304
XX-2492302371387202.4	XX-996920948554911902554849988608
XX-4984604742774404.8	XX-1993841897109823805109799977216
XX-9969209485549006.4	XX-3987683794219647610219599954432
XX-1993841897109800.8	XX-7975367588439295220439199908864
XX-3987683794219601.6	XX-1595073517687859044087839917728
XX-7975367588439203.2	XX-3190147035375718088175679835456
XX-1595073517687604.8	XX-6380294070751436176351359670912
XX-3190147035375406.4	XX-12760588141502872352702719341824
XX-6380294070751208	XX-2552117628300574470540543868368
XX-1276058814150209.6	XX-5104235256601148941081087736736
XX-2552117628300419.2	XX-10208470513202297882163215735472
XX-5104235256601038.4	XX-20416941026404595764326431470944
XX-10208470513202197.6	XX-40833882052809191528652862941888
XX-2041694102640439.2	XX-81667764105618383057305725883776
XX-4083388205280878.4	XX-16333552821123676611461145777552
XX-8166776410561756.8	XX-3266710564224735322292229155504
XX-1633355282112305.6	XX-65334211284494706445844583110112
XX-3266710564224601.2	XX-130668422568989412891688862220224
XX-6533421128449202.4	XX-261336845137978825783377724440448
XX-13066842256897604.8	XX-522673690275957651566755448880896
XX-26133684513797209.6	XX-104534738055191530313351109777792
XX-52267369027594419.2	XX-209069476110383060626702219555584
XX-10453473805518803.2	XX-418138952220766121253404439111168
XX-20906947611037606.4	XX-83627790444153224250680887822336
XX-41813895222075208	XX-167255580888306445001377756444704
XX-8362779044415201.6	XX-33451116177661289000275551288896
XX-1672555808883003.2	XX-66902232355322578000551105577792
XX-3345111617766004.8	XX-133804464710645156001102111115536
XX-6690223235532006.4	XX-267608929421290312002204222222704
XX-1338044647106401.2	XX-535217858842580624004408444444416
XX-2676089294212802.4	XX-107043571765116124008816888888896
XX-5352178588425604.8	XX-214087143530232248017633777777792
XX-10704357176511209.6	XX-428174287060464496035267555555584
XX-2140871435302401.2	XX-856348574120928992070535111111168
XX-4281742870604802.4	XX-1712697148241857984141070222222336
XX-8563485741209604.8	XX-3425394296483715968282140444444672
XX-17126971482417609.6	XX-6850788592967431936564280888889144
XX-3425394296483601.2	XX-1370157718593466387112856777777288
XX-6850788592967202.4	XX-2740315437186932774225713555555568
XX-1370157718593403.2	XX-5480630874373865548451427111111136
XX-2740315437186804.8	XX-1096126174874731097690285422222272
XX-5480630874373606.4	XX-2192252349749462195380570844444444
XX-1096126174874507.2	XX-4384504699498924390761141688888888
XX-2192252349749208.4	XX-87690093989978487815222833777777776
XX-4384504699498809.6	XX-17538018797995697563045667555555552
XX-8769009398995619.2	XX-350760375959913951260913351111111104
XX-1753801879799040.8	XX-70152075191982790252182670222222208
XX-3507603759598101.6	XX-1403041503839655805043653404444444416
XX-7015207519198003.2	XX-280608300767931161008730680888888896
XX-1403041503839604.8	XX-561216601535862322017461361777777792
XX-2806083007679206.4	XX-112243320307172464403492272355555584
XX-5612166015358408	XX-2244866406143449288069845447111111168
XX-1122433203071609.6	XX-4489732812286898576139690894222222336
XX-2244866406143219.2	XX-89794656245737971522793817884444444672
XX-4489732812286638.4	XX-179589312491475940455777637777777744
XX-8979465624573476.8	XX-35917862498295188091155547555555588
XX-1795893124914630.4	XX-71835724996590376182311109111111176
XX-3591786249829060.8	XX-14367144999318075236462221822222232
XX-7183572499659011.2	XX-28734289998636150472924443644444464
XX-1436714499931602.4	XX-574685799972723009458488872888888128
XX-2873428999863404.8	XX-114937159994544601911777745777777256
XX-5746857999727206.4	XX-2298743199890892038235555915555555112
XX-1149371599945408	XX-459748639978178407647111183111111224
XX-2298743199890809.6	XX-91949727995635681529422236622222448
XX-4597486399781619.2	XX-183899459911273362588844473244444896
XX-9194972799563438.4	XX-367798919822546725177688846488889792
XX-1838994599112677.6	XX-73559783